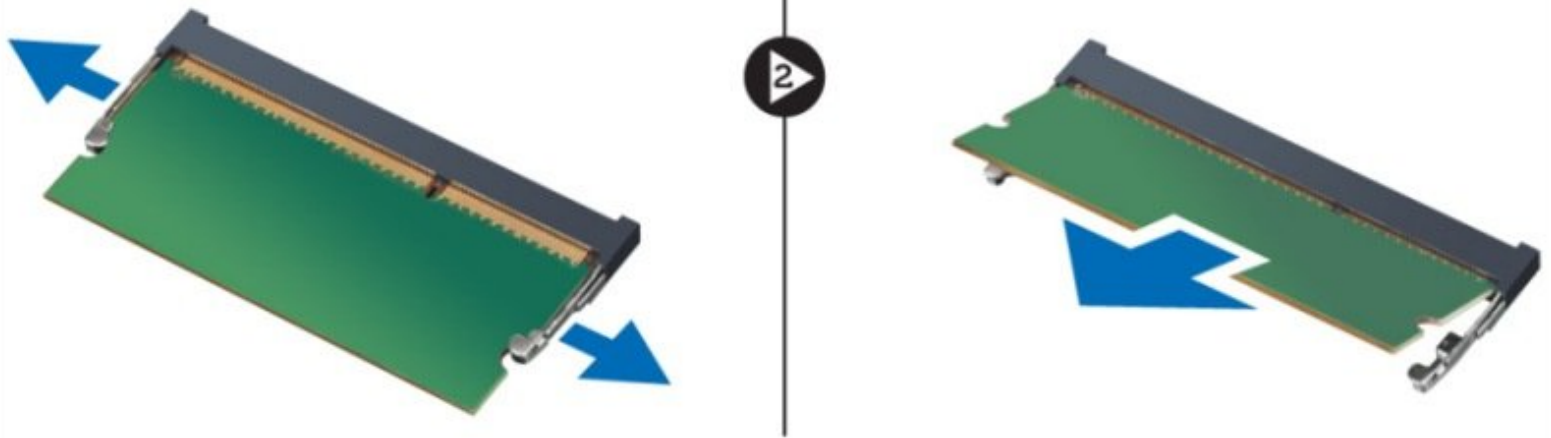




# Dell Vostro 3460 Memory Module Replacement

Written By: Johnathan Hammond



---

## INTRODUCTION

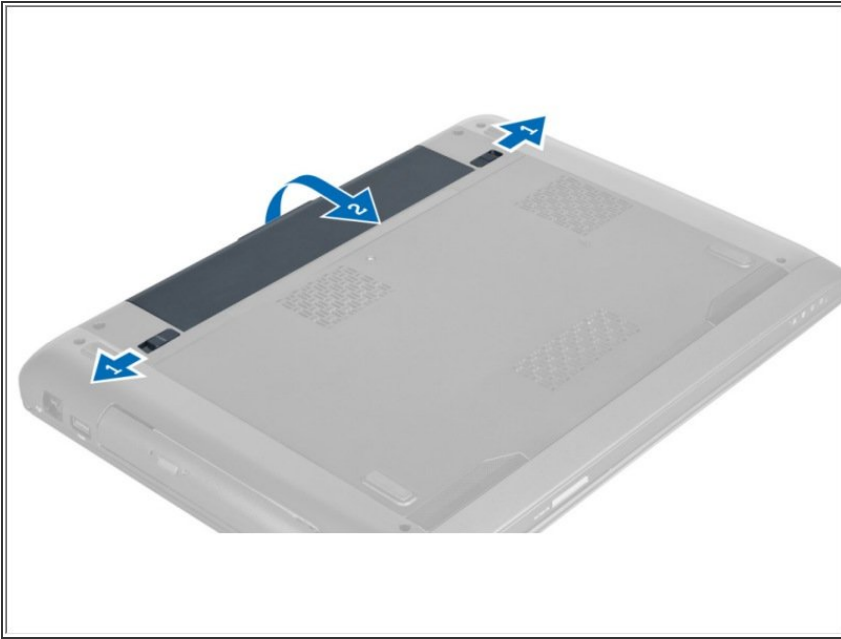
In this guide, we will show you how to remove and replace the Memory Module.

---

### TOOLS:

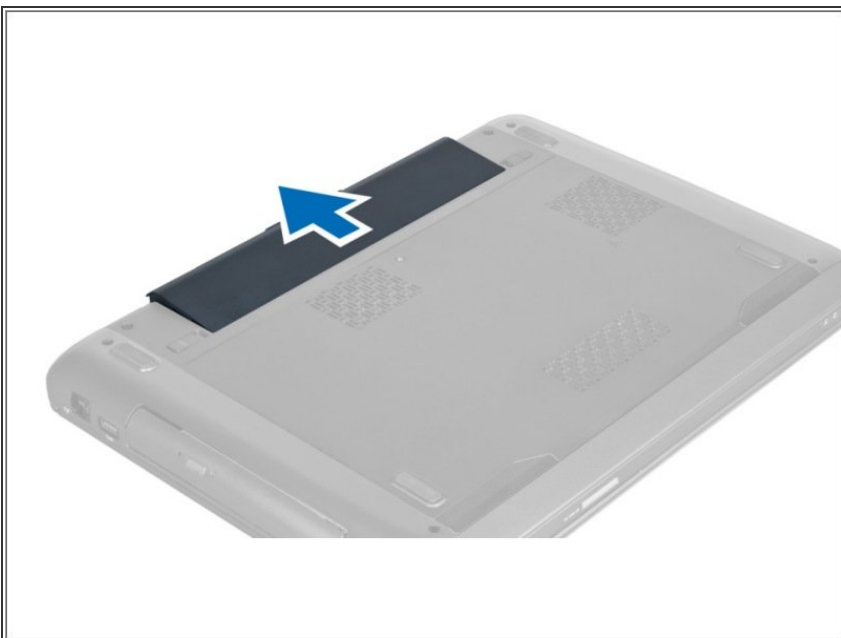
- [Phillips #0 Screwdriver](#) (1)
-

## Step 1 — Releasing the Battery



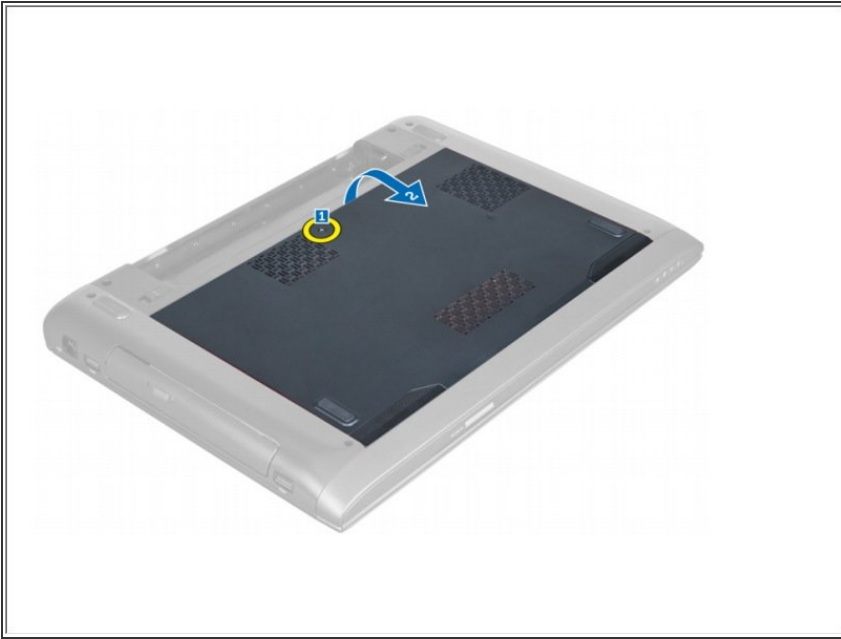
- Slide the battery latches to release the battery.

## Step 2 — Removing the Battery



- Lift and remove the battery from the computer.

### Step 3 — Remove the Screws



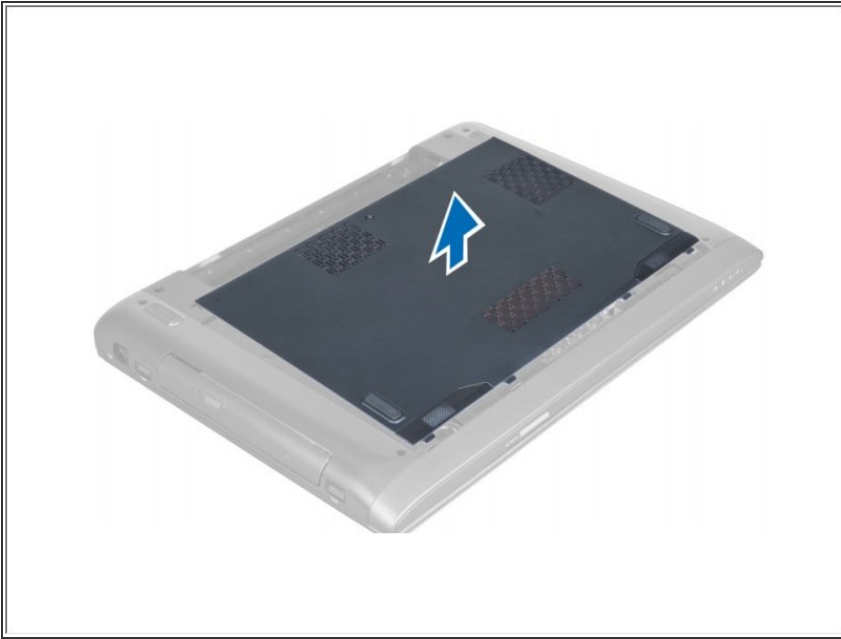
- Remove the screw(s) that secures the cover to the computer. Lift the cover upwards.

### Step 4 — Sliding the Cover



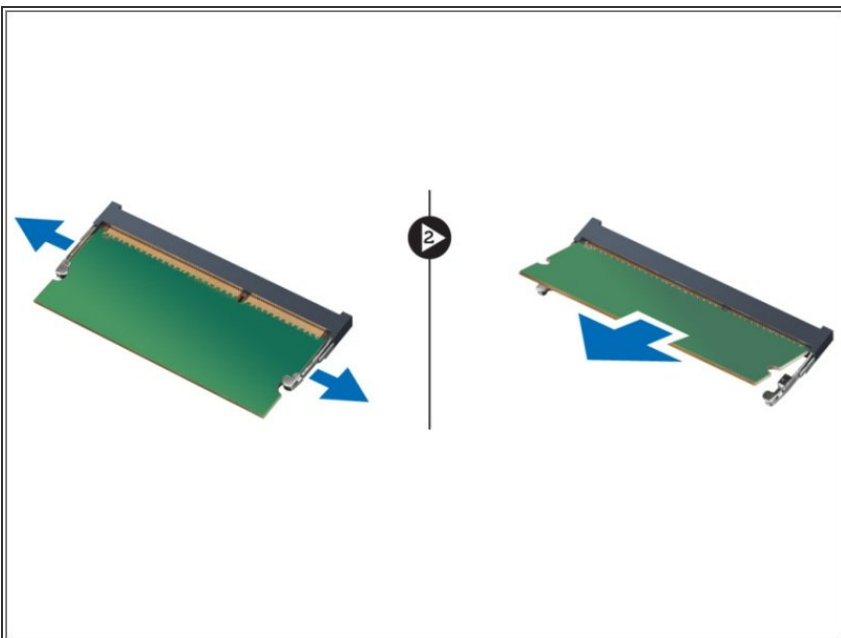
- Slide the cover outwards to release it from the notches on the computer.

## Step 5 — Lifting the Cover



- Lift the cover upwards and away from the computer.

## Step 6 — Removing the Memory Module



- Pry the retention clips away from the memory module until it pops-up. Lift and remove the memory module from its connector.

To reassemble your device, follow these instructions in reverse order.