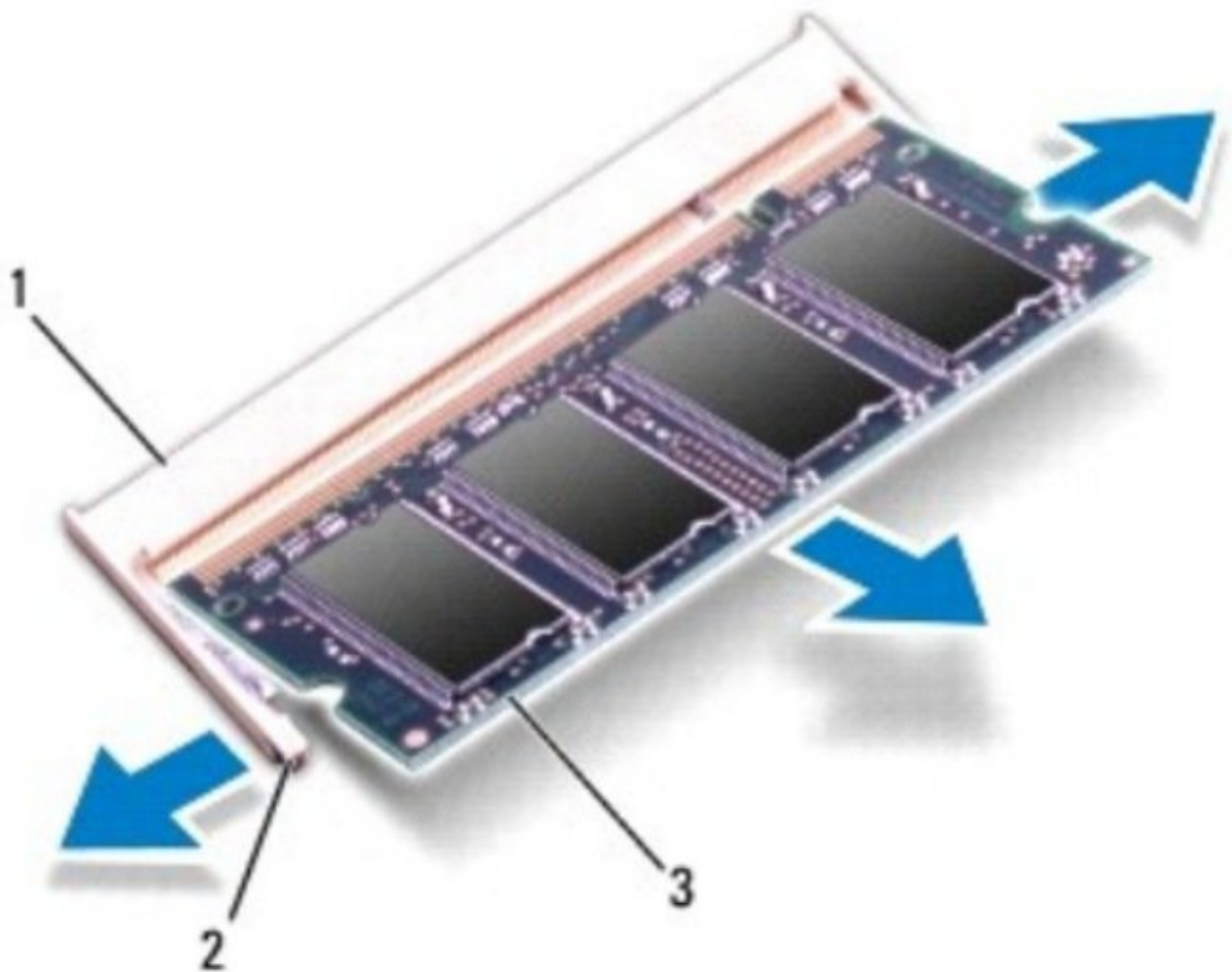




Dell Studio 1745 Memory Module Replacement

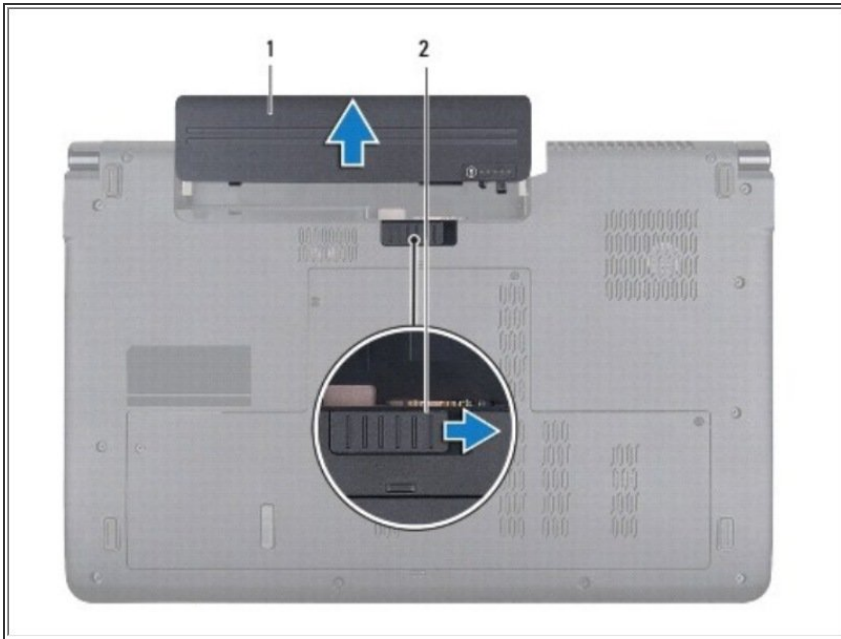
Written By: Johnathan Hammond



 **TOOLS:**

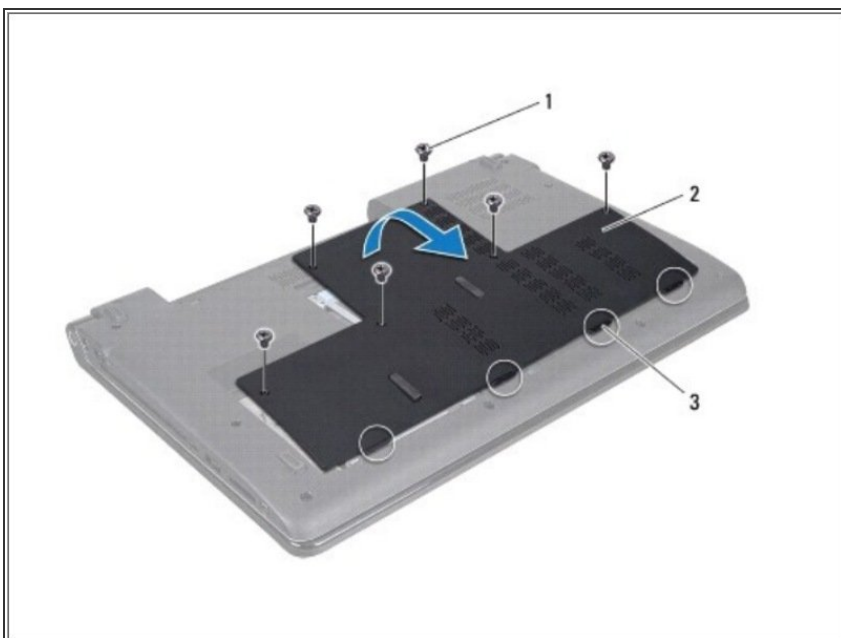
- [Phillips #0 Screwdriver](#) (1)
-

Step 1 — Battery



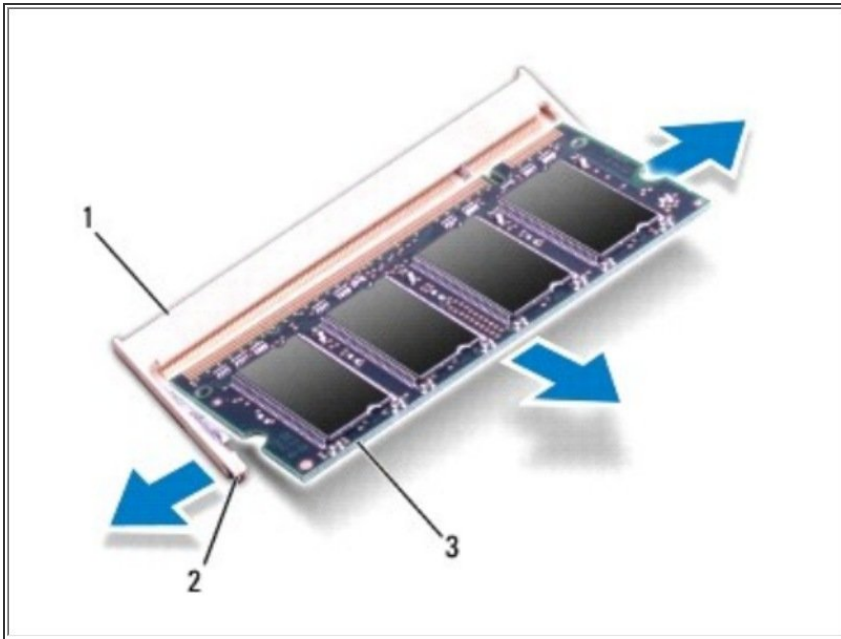
- Slide the battery release latch until it clicks into place.
- Slide the battery out of the battery bay.

Step 2 — Base Cover



- Remove the six screws that secure the base cover to the computer base.
- Lift the base cover off the computer at an angle as shown in the following illustration.

Step 3 — Memory Module



- Use your fingertips to carefully spread apart the securing clips on each end of the memory module connector until the module pops up.
- Remove the memory module from the memory module connector.

To reassemble your device, follow these instructions in reverse order.