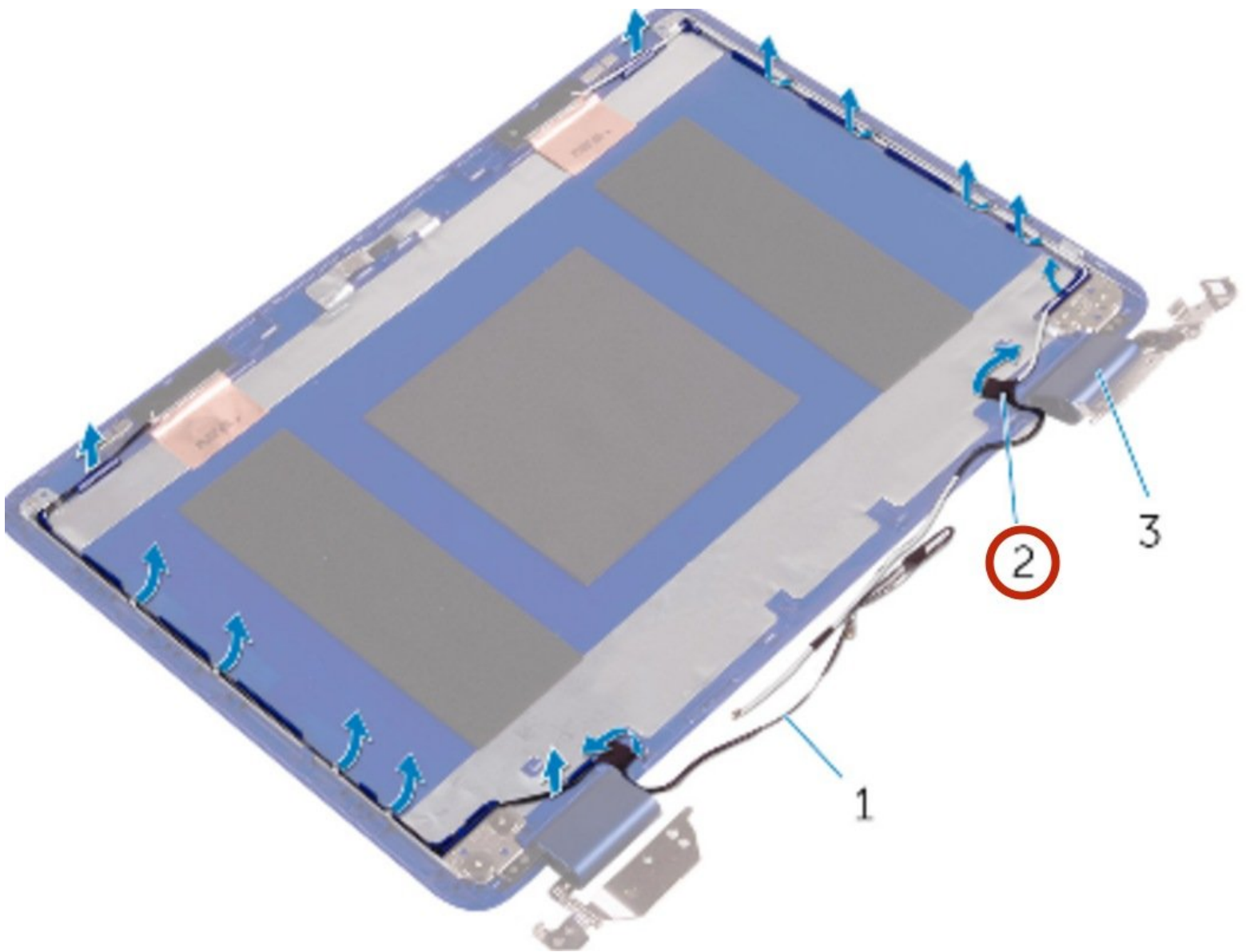




# Dell Inspiron 11 3169 Display Hinges Replacement

Written By: Terrence15



---

## INTRODUCTION

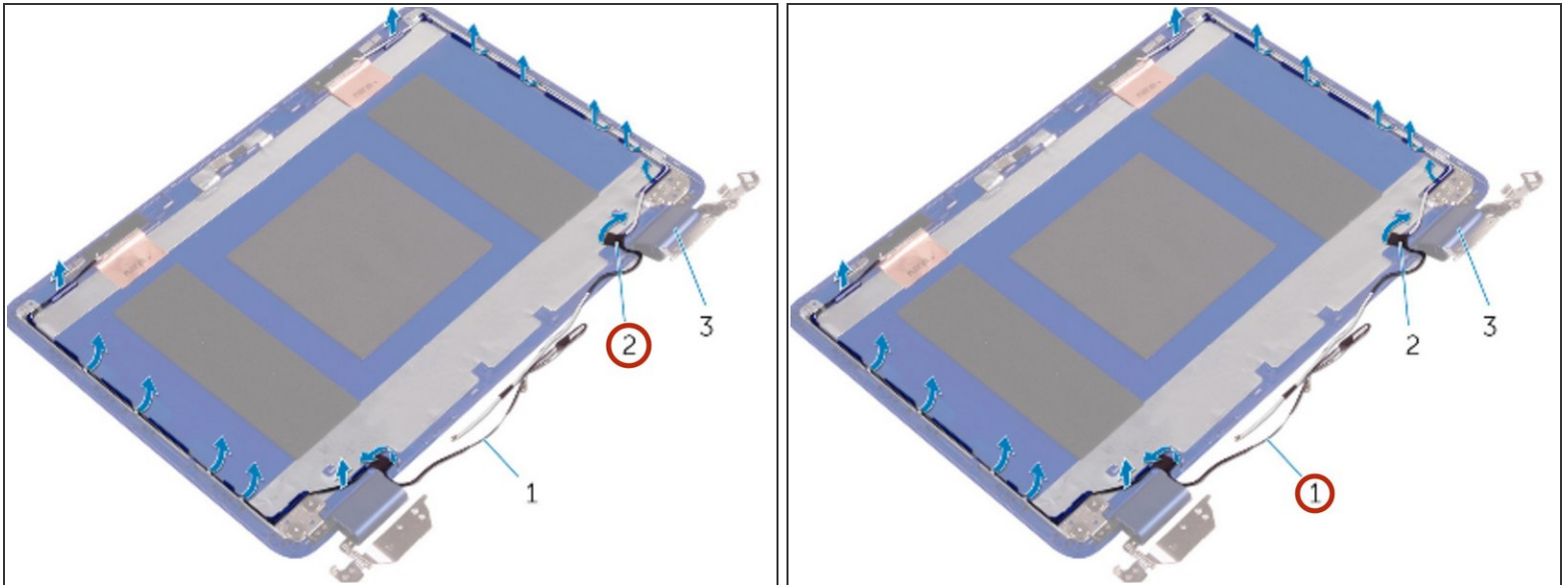
In this guide, we will be showing you how to remove and replace the Display Hinges.

---

### TOOLS:

- [Phillips #0 Screwdriver](#) (1)
-

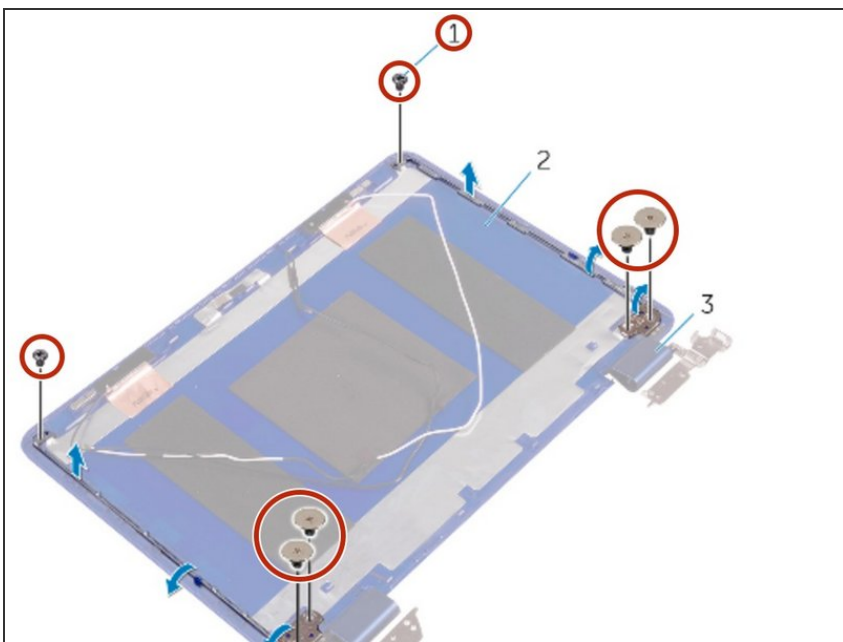
## Step 1 — Peel the Tapes



**⚠ WARNING:** Before working inside your computer, read the safety information that shipped with your computer and follow the steps in [Before working inside your computer](#). After working inside your computer, follow the instructions in [After working inside your computer](#).

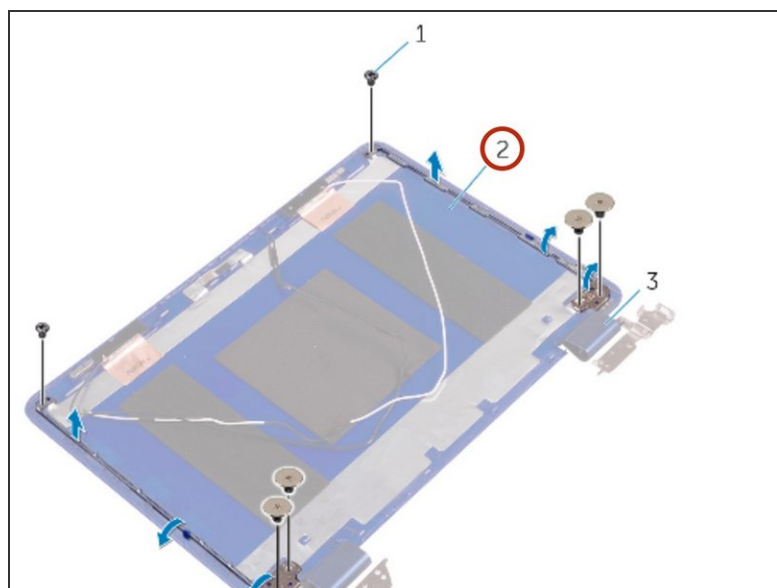
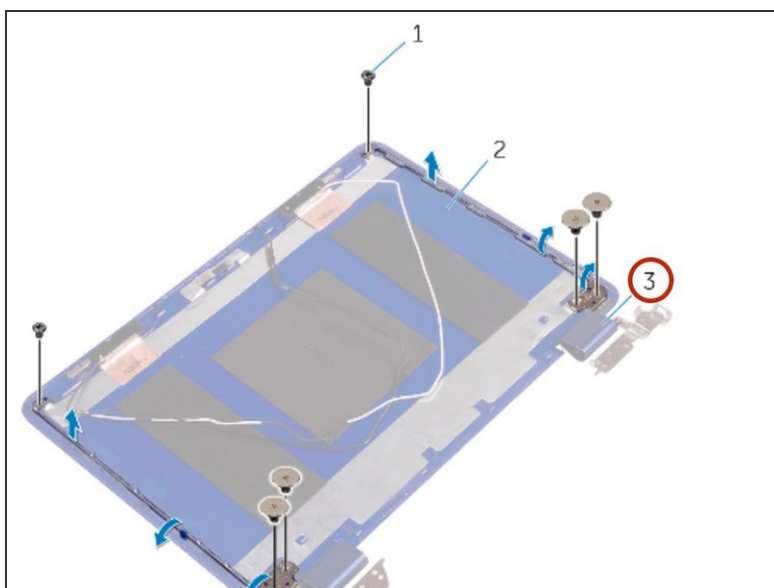
- Peel the tapes and remove the antenna cables from the routing guide on the hinge cover.

## Step 2 — Remove the Screws



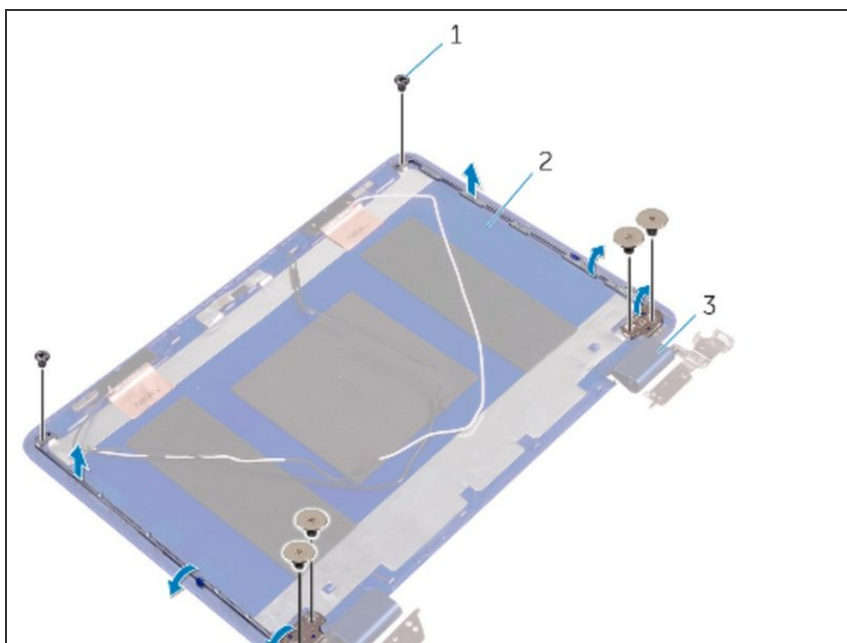
- Remove the screws that secure the display hinges to the display back-cover and antenna assembly.

### Step 3 — Lifting the Hinges



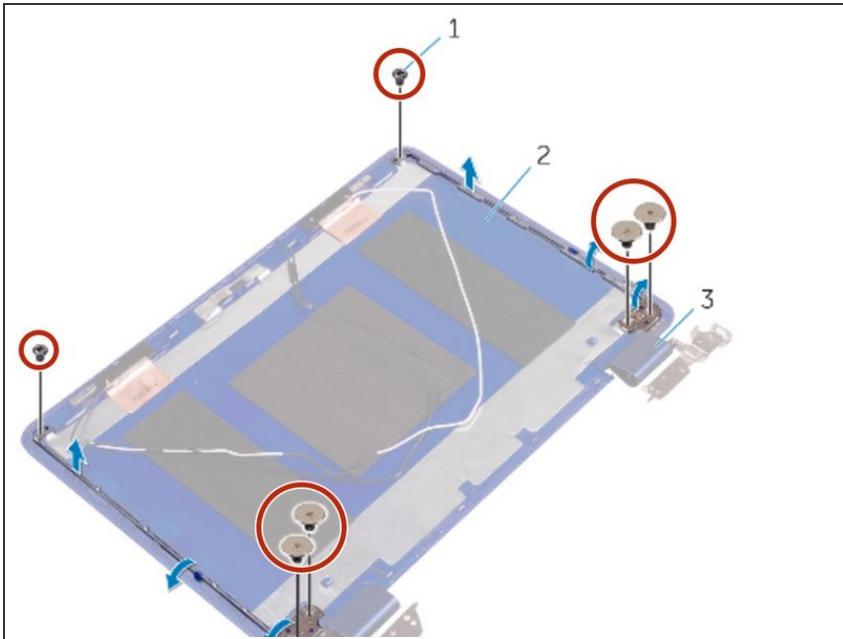
- Lift the display hinges off the display back-cover and antenna assembly.

### Step 4 — Align the Screw Holes



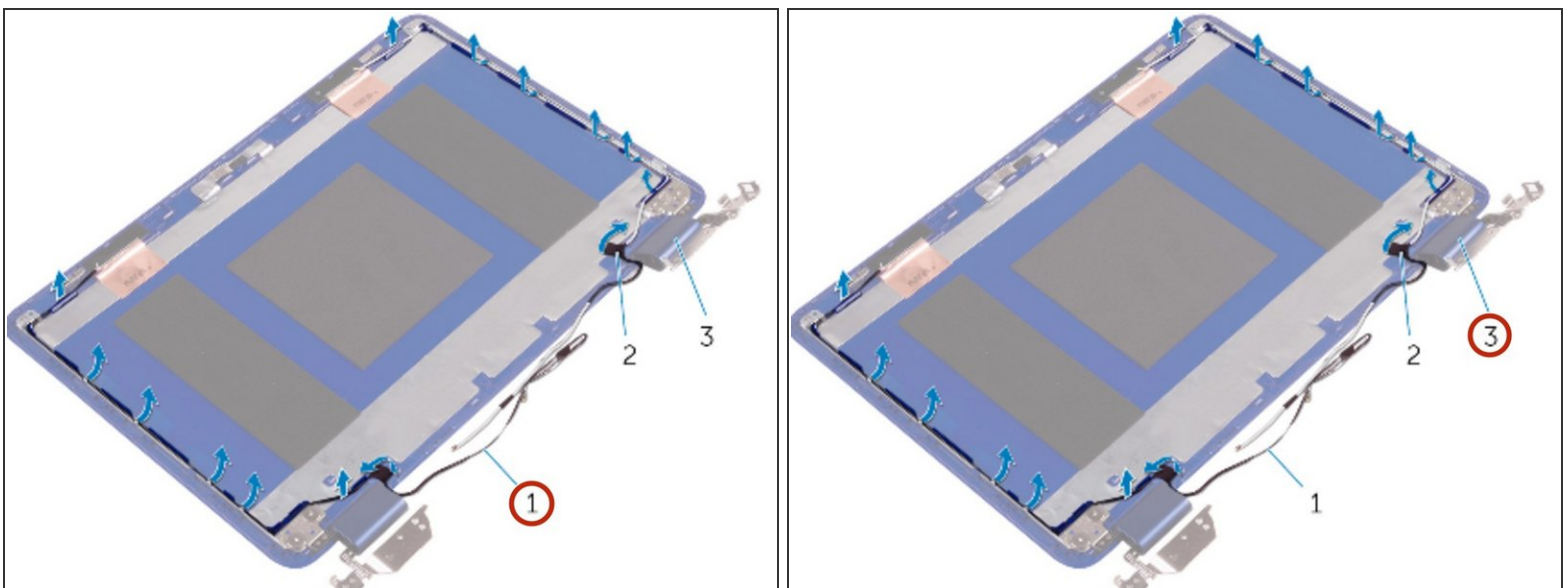
- Align the screw holes on the **NEW** display hinges with the screw holes on the display back-cover and antenna assembly.

## Step 5 — Replace the Screws



- Replace the screws that secure the display hinges to the display back-cover and antenna assembly.

## Step 6 — Route the Antenna Cables



- Route the antenna cables through the routing guide on the hinge cover and secure it in place.

To reassemble your device, follow these instructions in reverse order.