

TELEPHONE SETS

700 Series - 701 and 711 Types Maintenance - Installation

1. GENERAL

1.01 This addendum specified the installation of friction pads on the 700 type (Princess Sets) sets to overcome the tendency of the set to slide when dialing.

1.02 The numbering of the paragraphs in this addendum has no relation to that of the main sections.

Added text:

2. GENERAL

2.01 KS8035 friction pads shall be placed by the installer on all new Princess Sets installed on smooth surfaces that might permit the set to move about while dialing. The pads should also be placed during repair visits when this difficulty has been encountered by the subscriber. See Figure 1 for location of the friction pads.

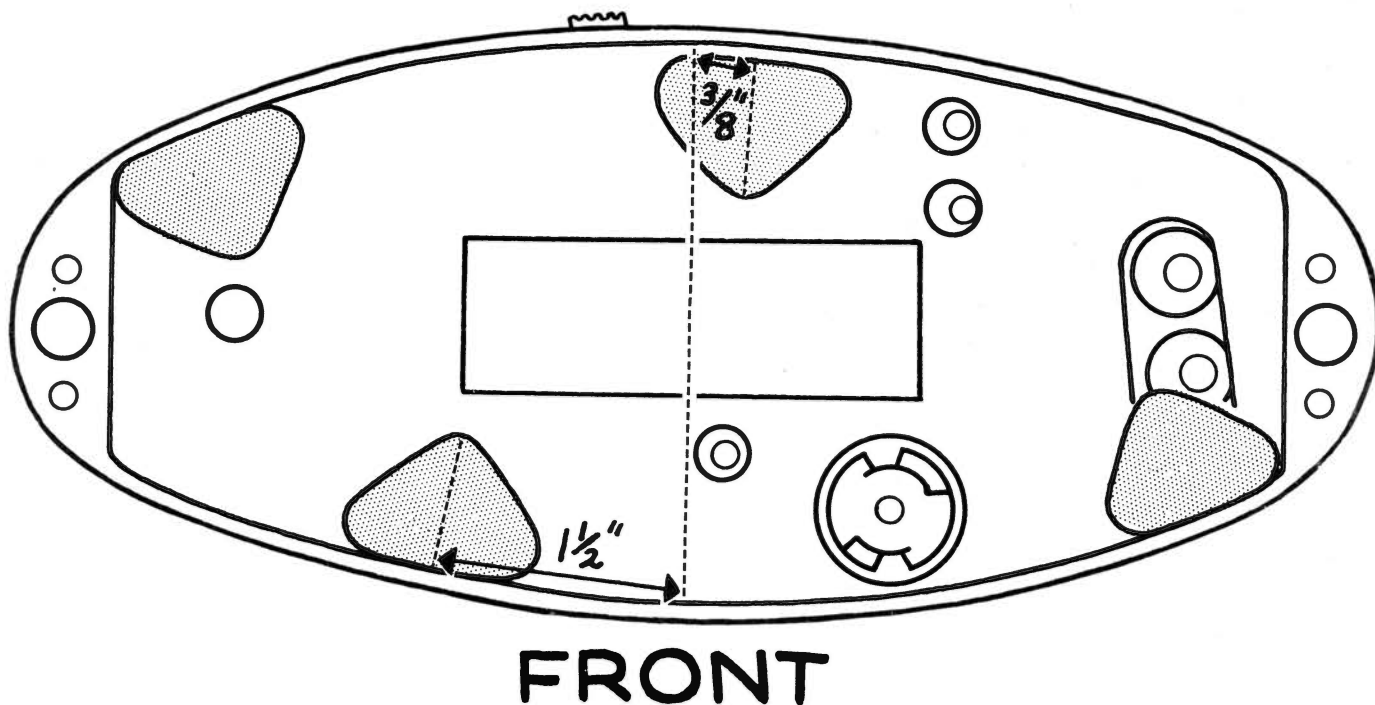


Figure 1