

Errata Sheet

AT&T Private Pay Phone Plus
Owner's Manual
Release 2.1



Dear AT&T Customer:

Please read this sheet and its accompanying attachments to note important changes to your *AT&T Private Pay Phone Plus Owner's Manual*. The following list identifies the page number and the information that has changed. We recommend that you mark these changes in your manual for future reference.

<u>Page</u>	<u>Revisions</u>										
60	The "G3AS-3 Handset" and the "20A Coin Chute," mentioned in the hardware components list, have been replaced with the "G3AW Handset" and the "22A Coin Chute," respectively.										
62	The handset strain relief brackets shown in Figure 23 have been replaced with a new piece of hardware, now called the cord retainer bracket. <i>Refer to Attachment A for installation instructions.</i>										
63 & 64	The handset lead colors described on these pages have been changed to the following colors: <table><thead><tr><th>Lead Color</th><th>Terminal Number</th></tr></thead><tbody><tr><td>Red</td><td>15</td></tr><tr><td>White</td><td>3</td></tr><tr><td>White</td><td>8</td></tr><tr><td>Black</td><td>4</td></tr></tbody></table> <p>(Note: You can connect the white leads to either terminal on the number block.)</p>	Lead Color	Terminal Number	Red	15	White	3	White	8	Black	4
Lead Color	Terminal Number										
Red	15										
White	3										
White	8										
Black	4										
13, 32 & 66	The new 22A Coin Chute effectively replaces both the 20A Coin Chute and the 47A2 Signal Unit. <i>Refer to Attachment B for installation instructions.</i>										
70	The spacer plate for the loud button assembly no longer exists—see the top right section of Figure A. Now you should pull wires through the hole to the <i>right</i> of the loud button (from the <i>front</i> of the phone), and then route in the same manner as you did before.										
71	Comcodes for the new components are as follows: <table><tbody><tr><td>22A Coin Chute</td><td>105 524-011</td></tr><tr><td>Cord (Handset) Retainer Bracket</td><td>846-403-764</td></tr><tr><td>Cord Retainer Screw</td><td>846-407-831</td></tr><tr><td>G3AW Handset (w/standard 2' cord)</td><td>105-547-012</td></tr><tr><td>G3AW Handset (w/4' cord)</td><td>105-688-261</td></tr></tbody></table>	22A Coin Chute	105 524-011	Cord (Handset) Retainer Bracket	846-403-764	Cord Retainer Screw	846-407-831	G3AW Handset (w/standard 2' cord)	105-547-012	G3AW Handset (w/4' cord)	105-688-261
22A Coin Chute	105 524-011										
Cord (Handset) Retainer Bracket	846-403-764										
Cord Retainer Screw	846-407-831										
G3AW Handset (w/standard 2' cord)	105-547-012										
G3AW Handset (w/4' cord)	105-688-261										

Attachment A: New Cord Retainer Bracket

To install a handset with the new cord retainer bracket:

1. Refer to Figure A, which illustrates the new cord retainer bracket:

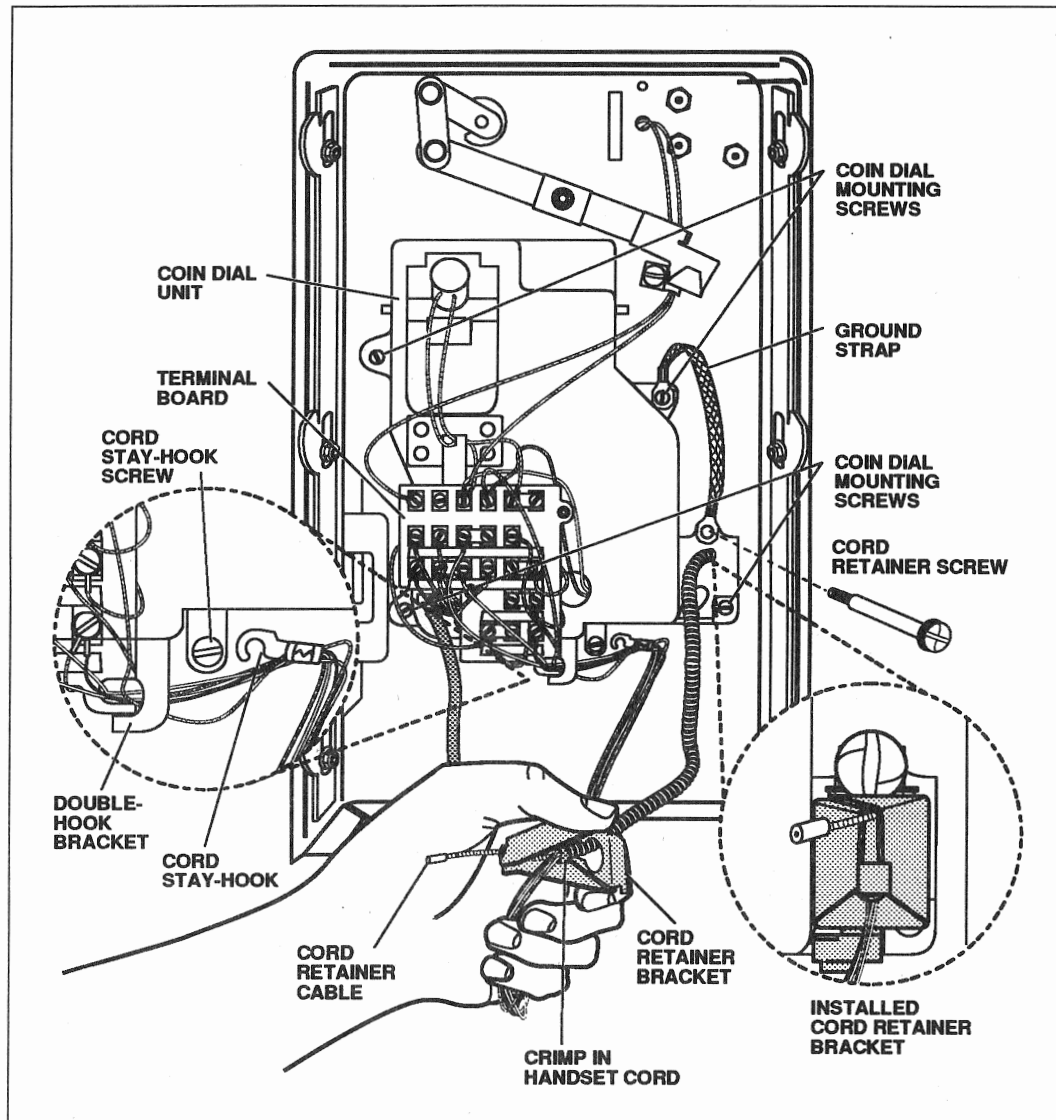


Figure A

2. Attach the coin dial unit and ground strap using the four mounting screws, if they are not attached already.
3. Insert the end of the handset cord through the hole on the coverplate on the front of the phone by feeding the four spade tips of the handset leads through first, then the cord stay-hook, then the cylindrical fitting of the cord retainer cable, and, finally, the armored cord.
4. Feed the handset cord (as you did in step 3) through the *flat side* of the cord retainer bracket; then leave the bracket unattached while you connect the handset leads.

Continued

Attachment A *(Continued)*

5. Connect the handset leads to the terminal board (see the list of new colors on the previous page), making sure the metal connecting tabs are flush against the unit.
6. Route the handset leads through the double-hook bracket.
7. Attach the cord stay-hook onto the cord stay-hook screw and, while holding the handset leads away with your thumb, tighten the cord stay-hook screw.
8. Lock the handset cord into the cord retainer bracket by sliding the crimp in the armored cord into the small end of the keyhole on the bracket.
9. Slide the cord retainer cable into the hook on the front of the cord retainer bracket, and pull the cable up into the narrow end of the bracket as shown in the inset in Figure A.
10. Place the free end of the ground strap on top of the cord retainer screw hole (on the coin dial unit), and then attach the cord retainer bracket on top of the ground strap using the cord retainer screw.
11. Tug the handset cord from the front of the phone to make sure it is secure. If it is secure, the installation is complete. If it is not, repeat steps 8, 9 and 10.

To remove a handset with the new cord retainer bracket:

1. Refer to Figure A.
2. Loosen the cord retainer bracket by removing the cord retainer screw. Leave the bracket on the handset cord until you disconnect the handset leads.
3. Loosen the cord stay-hook screw and pull the cord stay-hook off of the screw.
4. Guide the handset leads out from the double-hook bracket.
5. Disconnect the handset leads from the terminal board.
6. Pull the cord retainer cable down from the narrow end of the cord retainer bracket and free it from the hook on the front of the bracket (see the inset in Figure A).
7. Loosen the handset cord from the cord retainer bracket by pushing the armored cord to the open end of the keyhole.
8. Pull the handset cord through the cord retainer bracket.
9. Remove the handset cord from the phone by pulling the armored cord through the coverplate on the front of the phone first, then the cylindrical fitting of the cord retainer cable, then the cord stay-hook, and, finally, the four spade tips of the handset leads.

Attachment B: New Coin Chute

To install a new coin chute:

1. Refer to Figures B and C, which illustrate the new coin chute:

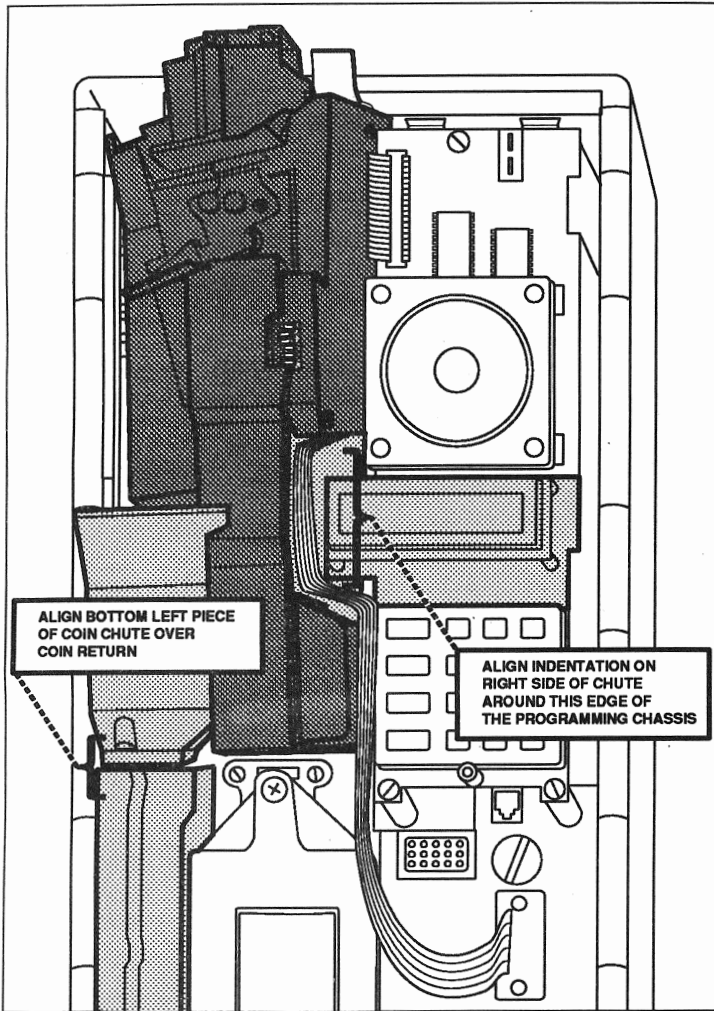


Figure B

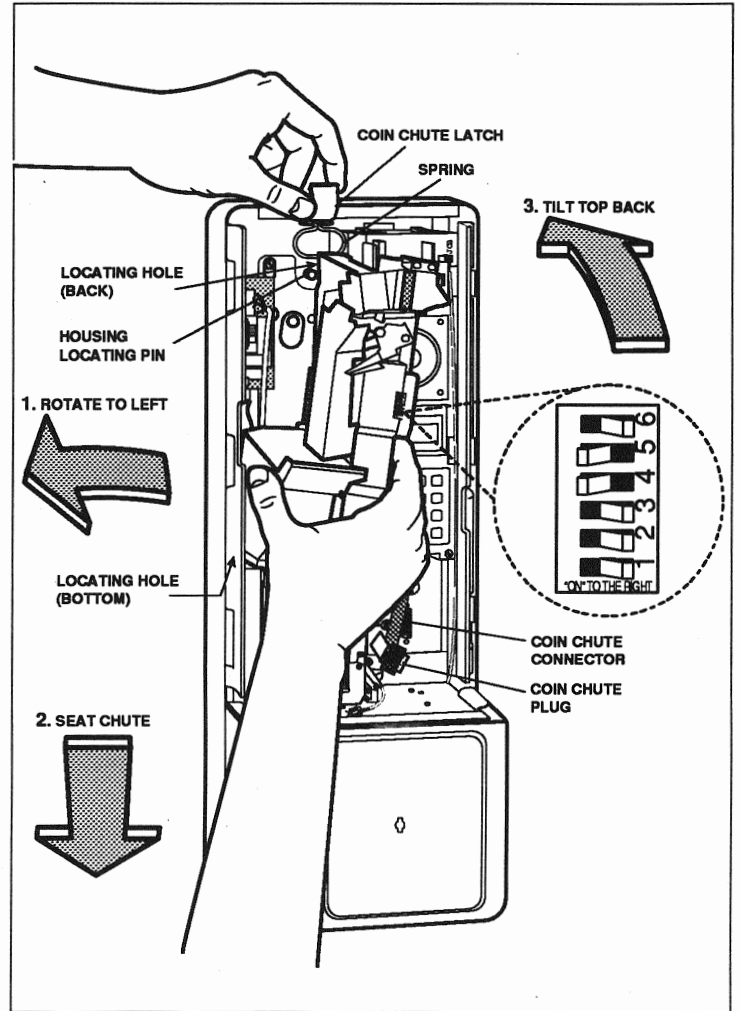


Figure C

2. Turn power off.
3. Check the coin chute's switch settings. Make sure switches 1, 2, 3, and 6 are set to the "on" position, as shown in the inset in Figure C. (Switch settings on a repair part are likely to be set incorrectly, so be sure to check the settings before installing the chute.)
4. Make sure the grounding and power supply cables are routed below the coin chute and underneath (*not behind*) the bracket that mounts the coin relay to the back of the housing. *The phone will not operate properly if the wires are trapped behind the chute. (See Figure E for proper placement of the cables.)*
5. Hold the coin chute so that the coin slot faces towards you.

Continued

Attachment B *(Continued)*

6. Align the indentation *on the right side* of the chute around *the left edge* of the programming chassis as shown in Figure B. Rotate the bottom of the chute into the housing and over the hopper assembly. (Remember to hold the blue ribbon cable against the coin chute as you slide it into the housing to ensure proper placement inside.)
7. *On the left side*, line up the bottom left piece of the coin chute directly over the coin return (see Figure B), and seat the chute so that the locating hole on the bottom of the chute is placed onto the locating pin on the top of the hopper assembly.
8. Holding the chute loosely, push the top of the coin chute in to the left and then back onto the locating pin on the back of the housing until it clicks into place. See Figure C.
9. Push up on the coin chute latch on the base housing (the latch automatically resets the spring), and then push the latch down.
10. Visually check the position of the coin chute and make sure it is parallel to the sides of the housing and programming chassis. See Figure D.
11. Guide the coin chute's blue ribbon cable around the programming chassis, and plug the end of the cable into the coin chute connector.
12. Check the placement of the cables next to the lower right side of the chute; they should be *between* the chute and the programming chassis or in *front* of the chute—they *should not be trapped behind the chute*.

Important: Make sure the grounding cable is wrapped above and to the left of its screw (near the top left of the chute) to avoid being placed behind the coin chute. See Figure E.

Continued

Attachment B (Continued)

Placement in Housing

Once you have installed the coin chute, check to make sure it is installed correctly using the following figures as a guide: Figure D illustrates the correct placement of the coin chute in the base housing (it should be parallel to the sides of the housing and programming chassis) and Figure E illustrates the correct placement of the power supply cables around and beneath the coin chute. (The phone will not operate properly if the cables are trapped behind the coin chute.)

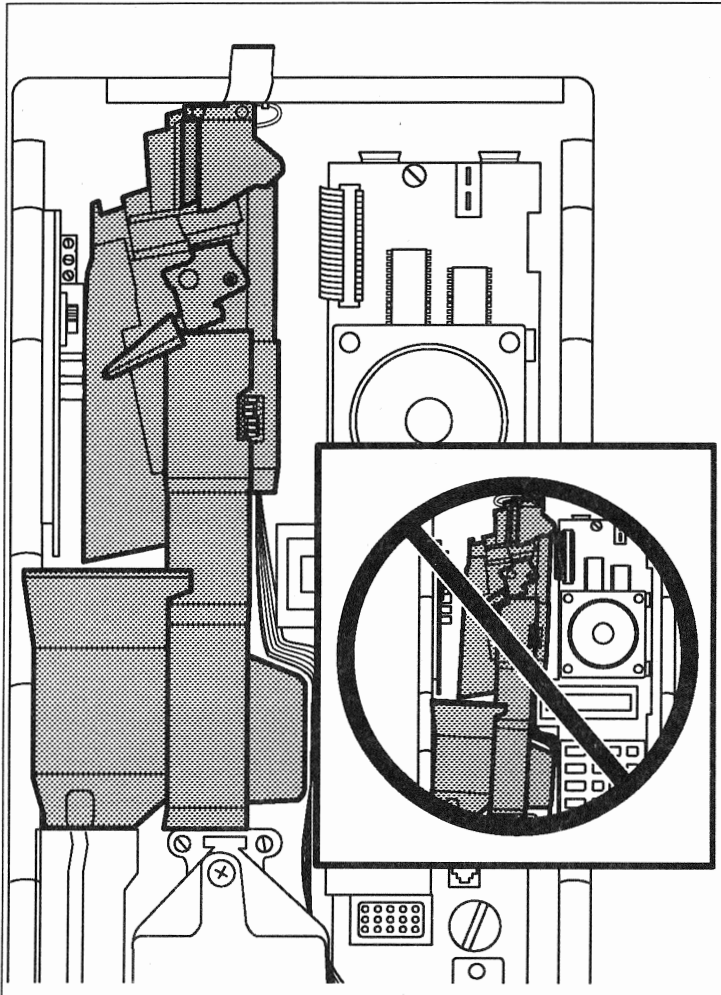


Figure D

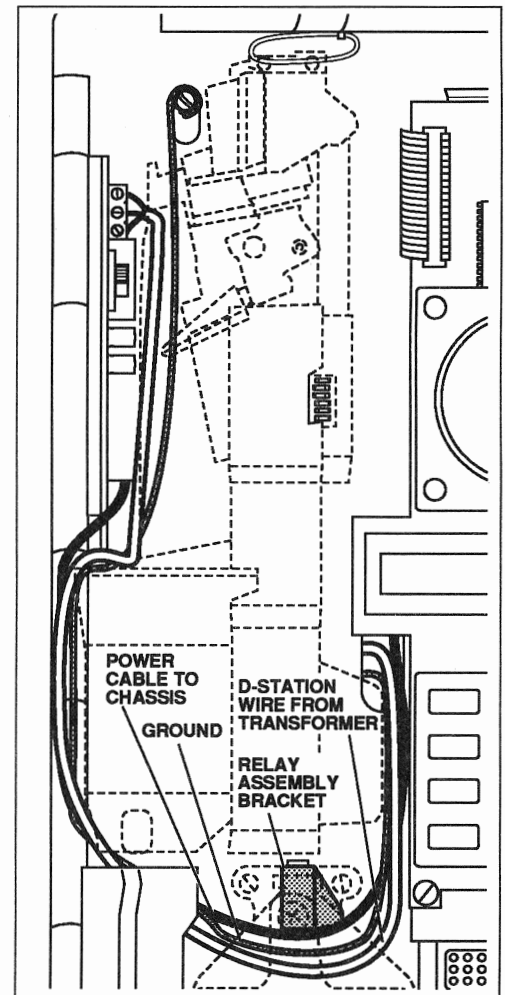


Figure E

continued

Attachment B *(Continued)*

Troubleshooting

If coins drop through the phone and are not routed to the coin return slot after installation is complete, follow the steps below:

1. Make sure the coin chute is seated properly (see Figure D). If it is not, reinstall the coin chute so that it is parallel to the sides of the housing and programming chassis. If the coin chute is installed properly, go to step 2.
2. Remove the coin chute and make sure there is no obstruction behind it and also make sure the cables are routed properly (see Figure E). If the coin chute still does not operate, go to step 3.
3. Try turning the power off and back on again. If the coin chute still does not operate, go to step 4.
4. Check the power and ground connections. If the coin chute still does not operate, call the AT&T Hotline at:

1-800-352-4003