

35 ANSWER-BACK ASSEMBLY
NOT LABEL
ACTUAL AND SCHEMATIC WIRING DIAGRAM
197600 0181 00 20 48 4 10 57

1. GENERAL

1.01 This section provides the actual and schematic wiring diagram 4726WD for the answer-back assembly.

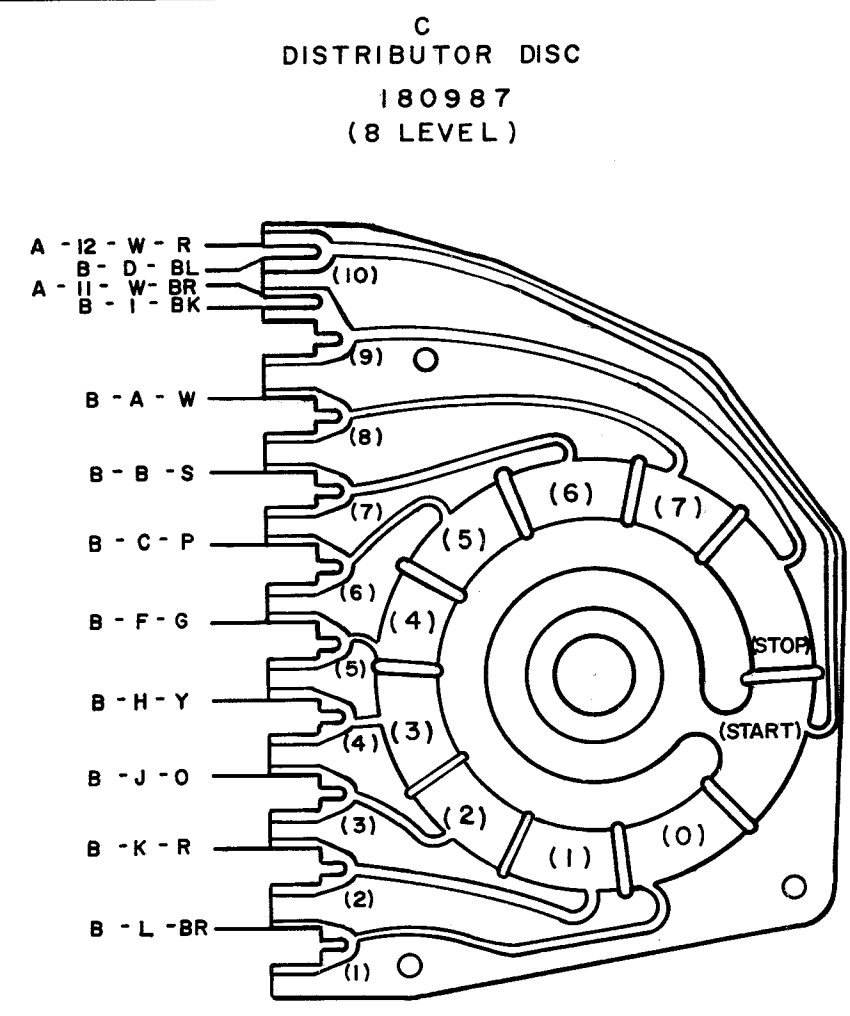
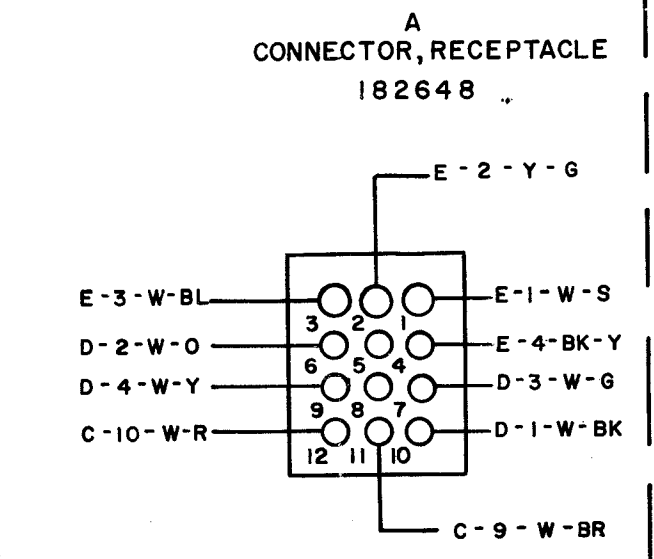
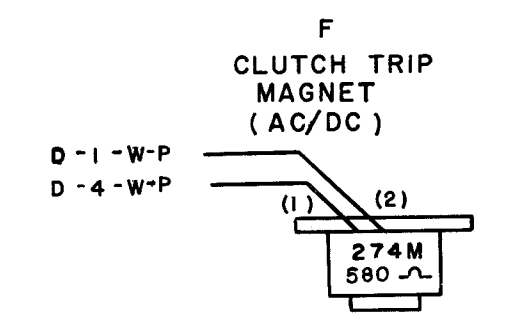
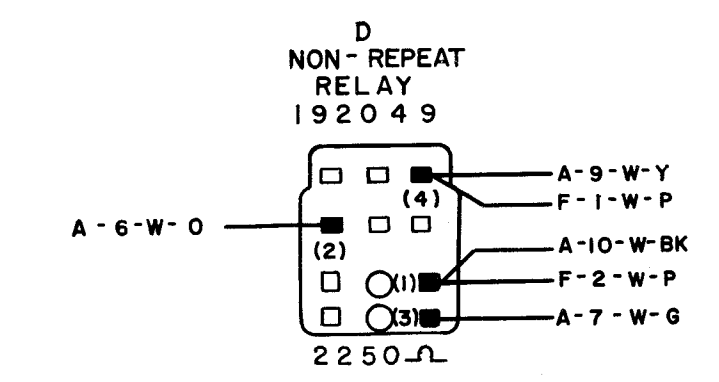
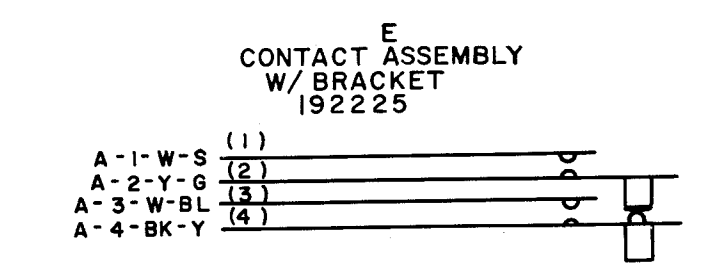
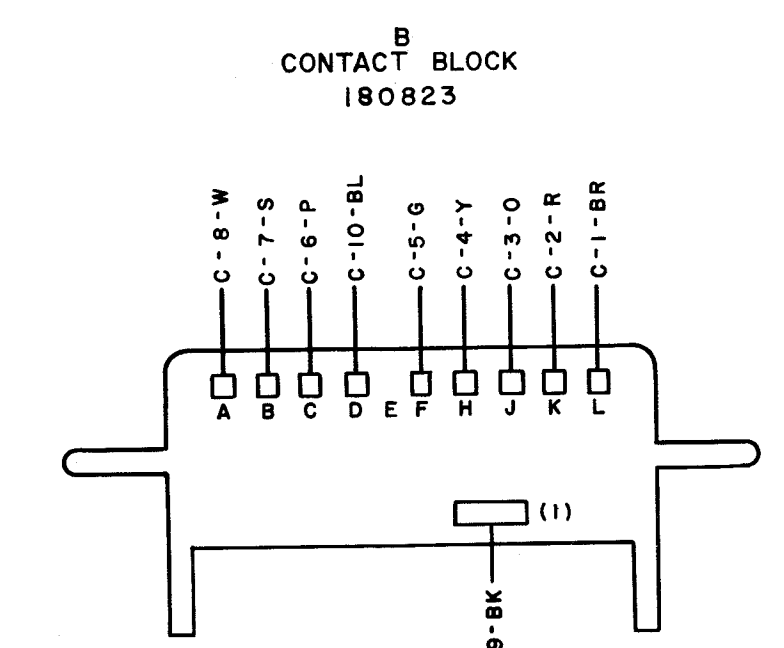
1.02 The section is reissued to include the most current wiring information for the TP192002 answer-back assembly. Since this is

a general revision, marginal arrows have been omitted.

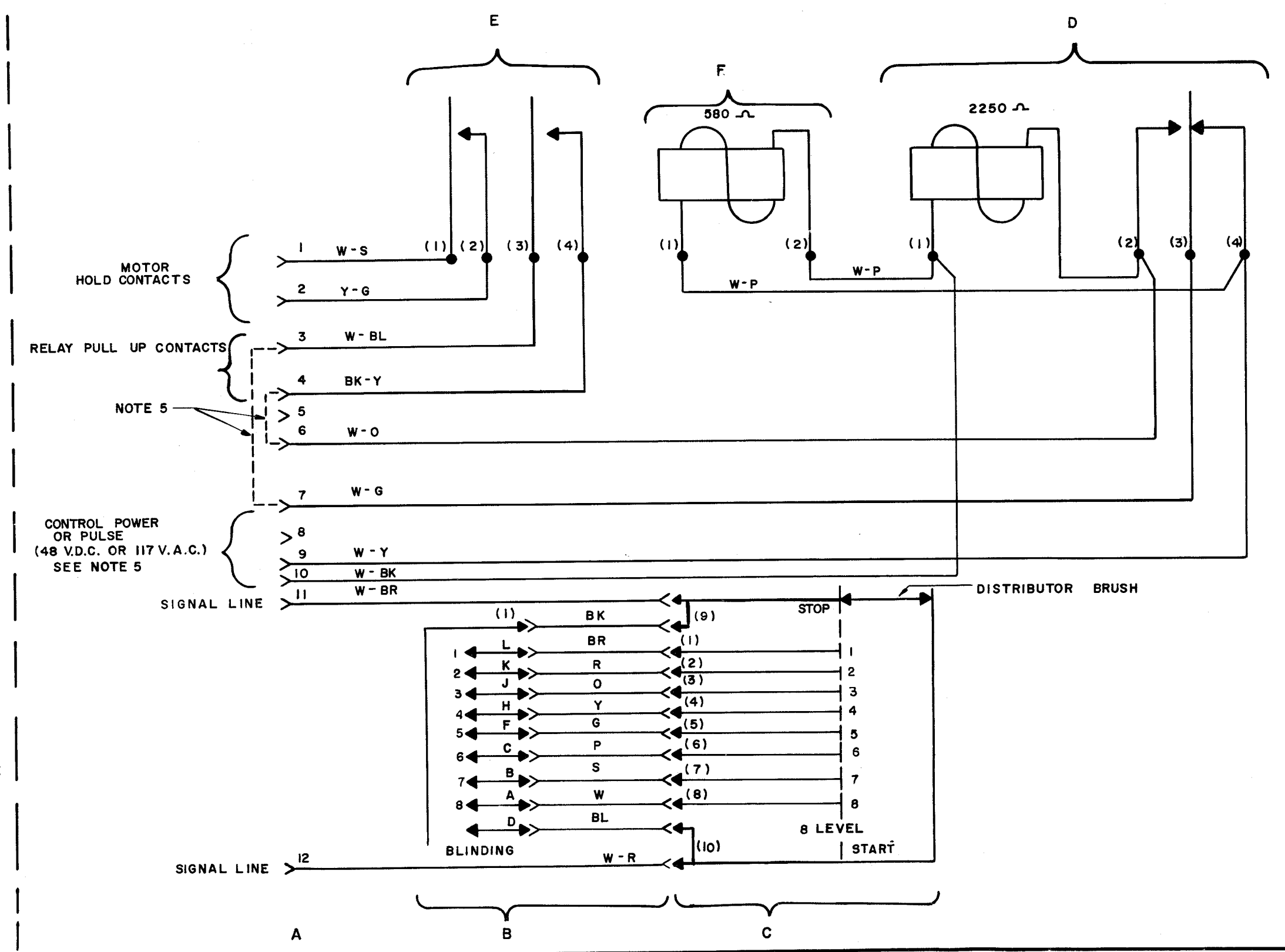
1.03 Additional schematic wiring diagram information for the answer-back assembly circuits can be found in the appropriate section covering the set with which the answer-back assembly is used.

- WIRING LEGEND:**
- 1. DISTANT TERMINATING AREA
 - 2. DISTANT TERMINAL DESIGNATION
 - 3. WIRE COLOR CODE
- COLOR CODE:**
- | | |
|------------|-------------------|
| W - WHITE | W-Y WHITE YELLOW |
| S - SLATE | W-P WHITE PURPLE |
| P - PURPLE | W-BK WHITE BLACK |
| BL - BLUE | W-G WHITE GREEN |
| G - GREEN | W-O WHITE ORANGE |
| Y - YELLOW | W-S WHITE SLATE |
| O - ORANGE | W-BL WHITE BLUE |
| R - RED | W-R WHITE RED |
| BR - BROWN | W-BR WHITE BROWN |
| BK - BLACK | W-G WHITE GREEN |
| | Y-G YELLOW GREEN |
| | BK-Y BLACK YELLOW |
3. CONNECTORS VIEWED FROM CRIMP ENDS.
4. ASSOCIATED CABLE 192051.
5. FOR NON-REPEAT OPERATION:
CONNECT A4 TO A6, A3 TO A7, AND APPLY CONTROL POWER TO A7 AND A10.
- FOR PULSED OPERATION:
OMIT CONNECTIONS FROM A4 TO A6 AND A3 TO A7. APPLY CONTROL PULSE TO A9 AND A10.

ACTUAL WIRING DIAGRAM



SCHEMATIC WIRING DIAGRAM



4726 WD

| REVISIONS | | |
|-----------|---------|---------|
| ISSUE | DATE | AUTH |
| # 2 | 8-9-62 | 74183 |
| # 3 | 8-20-62 | 74246 |
| # 4 | 3-14-63 | 74246-1 |
| 5 | 9-3-64 | 181563 |

ACTUAL AND SCHEMATIC WIRING DIAGRAM FOR 192002 ANSWER BACK ASSEMBLY (8 LEVEL)

E NUMBER
 PROD. NO. 4726 WD
 DRWN. L.J.F. APPD. [Signature]
 ENGD. G.W. CHKD. [Signature]
TELETYPE CORPORATION
4726 WD