


Engineer: Jack Curtis	Date: 5/9/05	 JPS Communications 5800 Departure Drive, Raleigh, NC 27616			
Drawn: Bruce Page	Date: 5/9/05				
Approved: CTS	Date: 5/9/05	Title: ACU RADIO APPLICATION NOTES			
Issued/ Revised	Date: 7/18/05	Size: A	Dwg. #: 5961-271294-APP	Rev: A	Sheet: 1 Of 2

APPLIES TO:

Motorola MICOM-3R Mobile Radio (DB-44 Accessory Connector)
Motorola MICOM-3F Mobile Radio (DB-44 Accessory Connector)
Motorola MICOM-3T Mobile Radio (DB-44 Accessory Connector)
Motorola MICOM-2ES Mobile Radio (DB-44 Accessory Connector)

RADIO MODIFICATIONS: None required.

RADIO PROGRAMMING:

1. Mobile radios should normally be programmed for low transmit power.
2. This radio has a Voice Activated Digital Squelch that should be turn on for each channel.

RADIO CONTROLS:

1. The Volume Control will not have any effect on this interface.

CABLING:

Standard ACU-1000 and ACU-T Interface cables are made up of a 2 foot TRP Radio Tray Interface cable and the appropriate 13-foot Extension cable.

ACU-1000 Interface Cable	JPS P/N 5961-291294	(5961-271294 + 5961-261002-00)
ACU-T Interface Cable	JPS P/N 5961-281294	(5961-271294 + 5961-281013-00)
TRP-1000 Shelf Interface Cable	JPS P/N 5961-271294	
Radio RF Connector Type	Type-N Female	

DSP JUMPERS:

JP1	Low Impedance *
JP2	Balanced *

DSP PROGRAMMING:

RX Level	3*	0dBm*
TX Level	6*	0dBm*
Squelch Type	COR	
COR Polarity	Active Low*	
High Frequency Equalizer	6	3.5 dB Boost
RX Audio Delay	0	20 ms
TX Audio Delay (Radio Type)	0*	No Delay*
Noise Reduction Value	5	

VOX/VMR Threshold	1*	Med1*
VOX/VMR Hang Time	3*	775 ms*
COR Inhibit After PTT	1*	100 ms*
All Others	As needed	

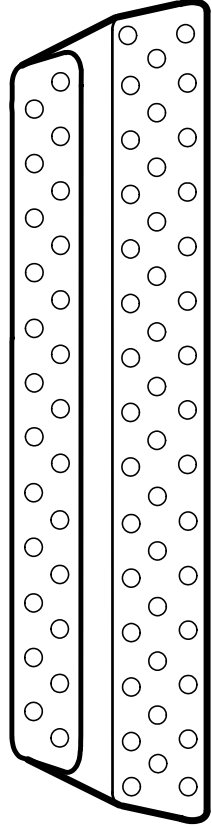
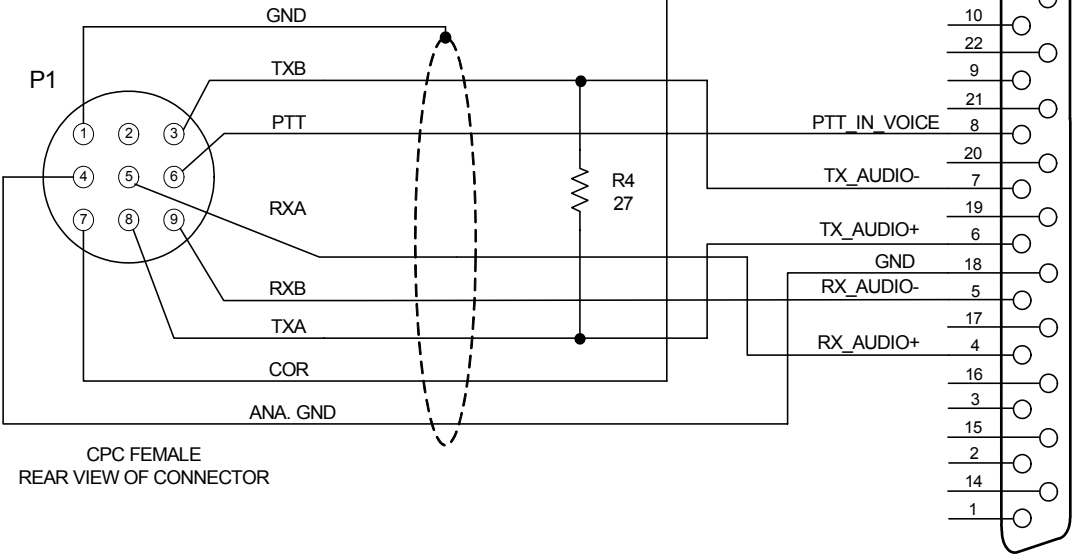
(* Indicates Default Value)

NOTES:

Rev	ECO	Date
A		7-19-05

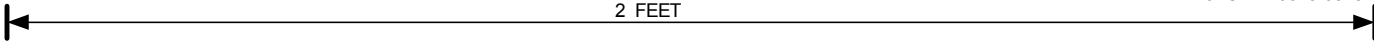
PURCHASED PART

USE MOLDED CABLE
(JPS P/N 5961-261003-00)



DB 25 PIN FEMALE

25 PIN MALE - 44 PIN FEMALE
MOTOROLA P/N 20724034000
PURCHASE FROM ROYAL COMMUNICATIONS
JPS P/N 0313-082544



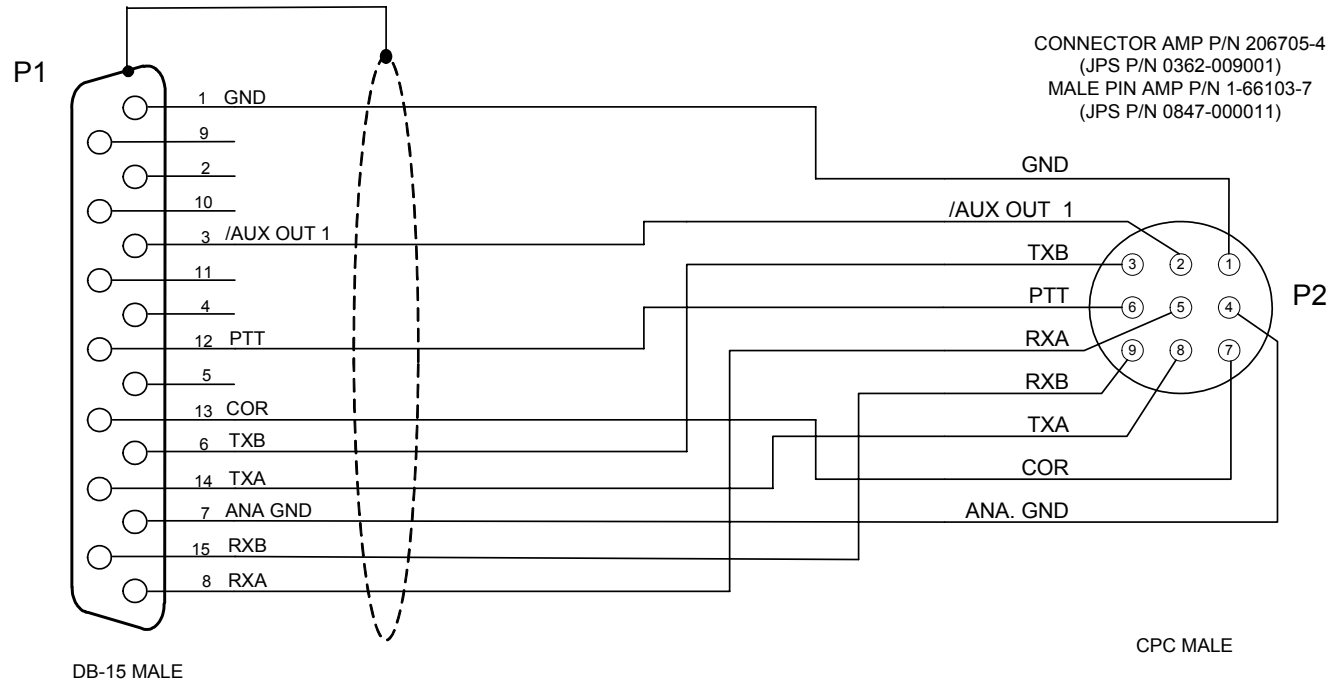
NOTES: SHIELD DRAIN CONNECTED TO PIN 1 OF P1 ONLY.
FOR R4 USE JPS PN 1820-270000.

USED WITH:
MOTOROLA MICOM-3R HF MOBILE (DB 44 CONNECTOR)
MOTOROLA MICOM-3F HF MOBILE (DB 44 CONNECTOR)
MOTOROLA MICOM-3T HF MOBILE (DB 44 CONNECTOR)
MOTOROLA MICOM-2ES HF MOBILE (DB 44 CONNECTOR)

Designed By:	JAC	 Raleigh, NC USA		
Drawn By:	RBP			
Checked By:	CTS	Size A	Document Number 5961-271294	Rev A
		Issued Date	JUNE 19, 2005	Sheet 1 of 1

PURCHASED PART

Rev	ECO	Date
A		



DB-15 MALE

CPC MALE



- NOTES: 1) USE BELDEN 9934 SHIELDED CABLE.
 2) CONNECT SHIELD DRAIN TO SHELL OF P1 ONLY.
 3) CONNECTORS P1 AND P2 MUST BE MOLDED TO THE CABLE.
 4) CABLE MUST BE LABELED WITH THE RAYTHEON/JPS P/N AND REV, VENDOR CODE AND DATE (MM/YY).

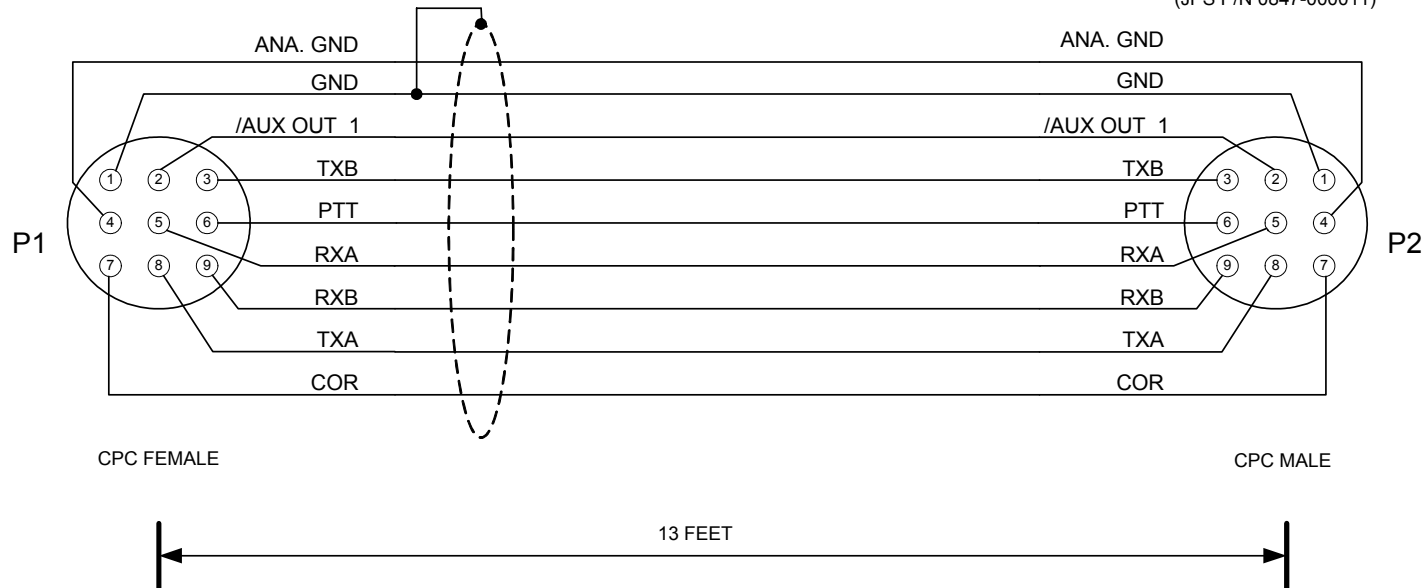
Designed By: JAC	Raytheon JPS Communications		
Drawn By: JAC	Title CABLE, ACU-1000 RADIO EXTENSION - 13 FT		
Checked By: RBP	Size A	Document Number 5961-261002-00	Rev A
Issued Date JANUARY 5, 2004		Sheet <u>1</u> of <u>1</u>	

Rev	ECO	Date
A		

PURCHASED PART

CONNECTOR AMP P/N 206708-1
 (JPS P/N 0362-005003)
 FEMALE PIN AMP P/N 1-66105-8
 (JPS P/N 0362-005002)

CONNECTOR AMP P/N 206705-4
 (JPS P/N 0362-009001)
 MALE PIN AMP P/N 1-66103-7
 (JPS P/N 0847-000011)



- NOTES: 1) USE BELDEN 9934 SHIELDED CABLE.
 2) CONNECT SHIELD DRAIN TO PIN 1 OF P1 ONLY.
 3) CONNECTORS P1 AND P2 MUST BE MOLDED TO THE CABLE.
 4) CABLE MUST BE LABELED WITH THE RAYTHEON/JPS P/N AND REV, VENDOR CODE AND DATE (MM/YY).

Designed By: JAC	Raytheon JPS Communications Raleigh, NC USA		
Drawn By: JAC	Title CABLE, ACU-T RADIO EXTENSION - 13 FT		
Checked By: RBP	Size A	Document Number 5961-281013-00	Rev A
	Issued Date	JANUARY 5, 2004	Sheet <u>1</u> of <u>1</u>