


Engineer: Chris Samios	Date: 5/22/03	 Raytheon JPS Communications 5800 Departure Drive, Raleigh, NC 27616			
Drawn: Ken Wade	Date: 5/22/03				
Approved: CTS	Date: 9/10/03	Title: ACU RADIO APPLICATION NOTES			
Issued/ Revised	Date: 3/24/04	Size: A	Dwg. #: 5961-271240-APP	Rev: A	Sheet: 1 Of 1

APPLIES TO: Q-MAC HF-90 Portable Radio

RADIO MODIFICATIONS: None required.

RADIO PROGRAMMING: None required.

RADIO CONTROLS:

1. Adjust the Volume Control until the yellow "SIGNAL" indicator on the associated DSP Module flashes with receive audio.

CABLING:

Standard ACU-1000 and ACU-T Interface cables are made up of a 2 foot TRP Radio Tray Interface cable and the appropriate 13-foot Extension cable.

ACU-1000 Interface Cable	JPS P/N 5961-291240	(5961-271240 + 5961-261002-00)
ACU-T Interface Cable	JPS P/N 5961-281240	(5961-271240 + 5961-281013-00)
TRP-1000 Shelf Interface Cable	JPS P/N 5961-271240	
Radio RF Connector Type	BNC	

DSP PROGRAMMING:

RX Level	3*	0dBm*
TX Level	4	-8dBm
Squelch Type	VMR	
COR Polarity	Active Low*	
High Frequency Equalizer	4*	Flat*
RX Audio Delay	2*	100 ms*
TX Audio Delay (Radio Type)	0*	No Delay*
Noise Reduction Value	0*	Off*
VOX/VMR Threshold	1*	Med1*
VOX/VMR Hang Time	3*	775 ms*
COR Inhibit After PTT	1*	100 ms*
All Others	As needed	

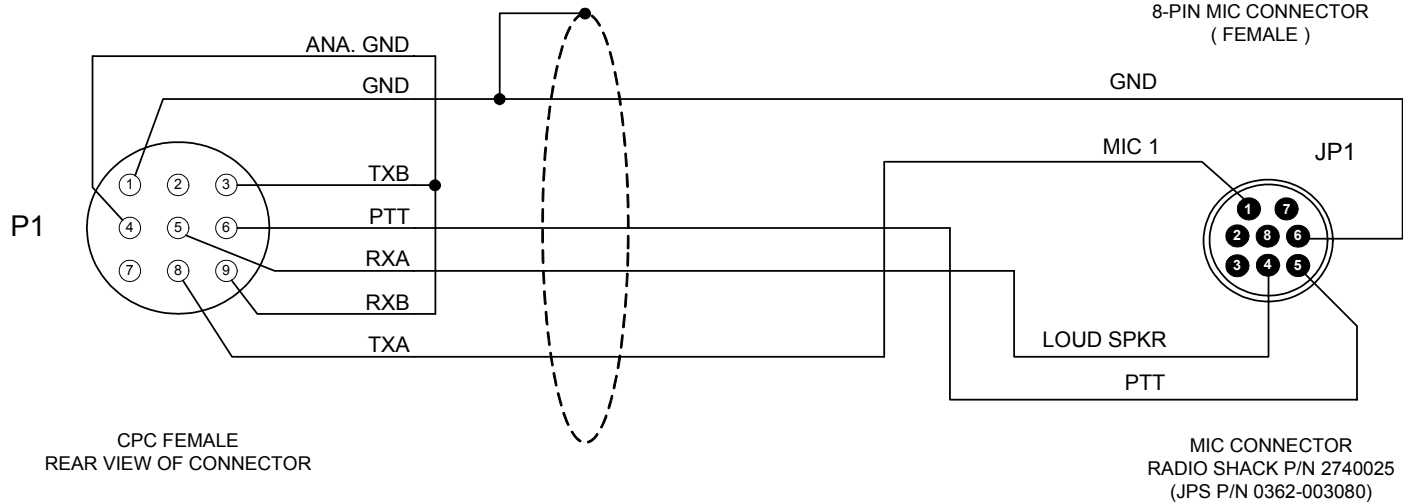
(* Indicates Default Value)

NOTES:

Rev	ECO	Date
A		

PURCHASED PART

USE MOLDED CABLE
(JPS P/N 5961-261003-00)



COMPONENT PCB
(JPS P/N 5961-271000)

JU1
JU2
JU4
JU5
JU6

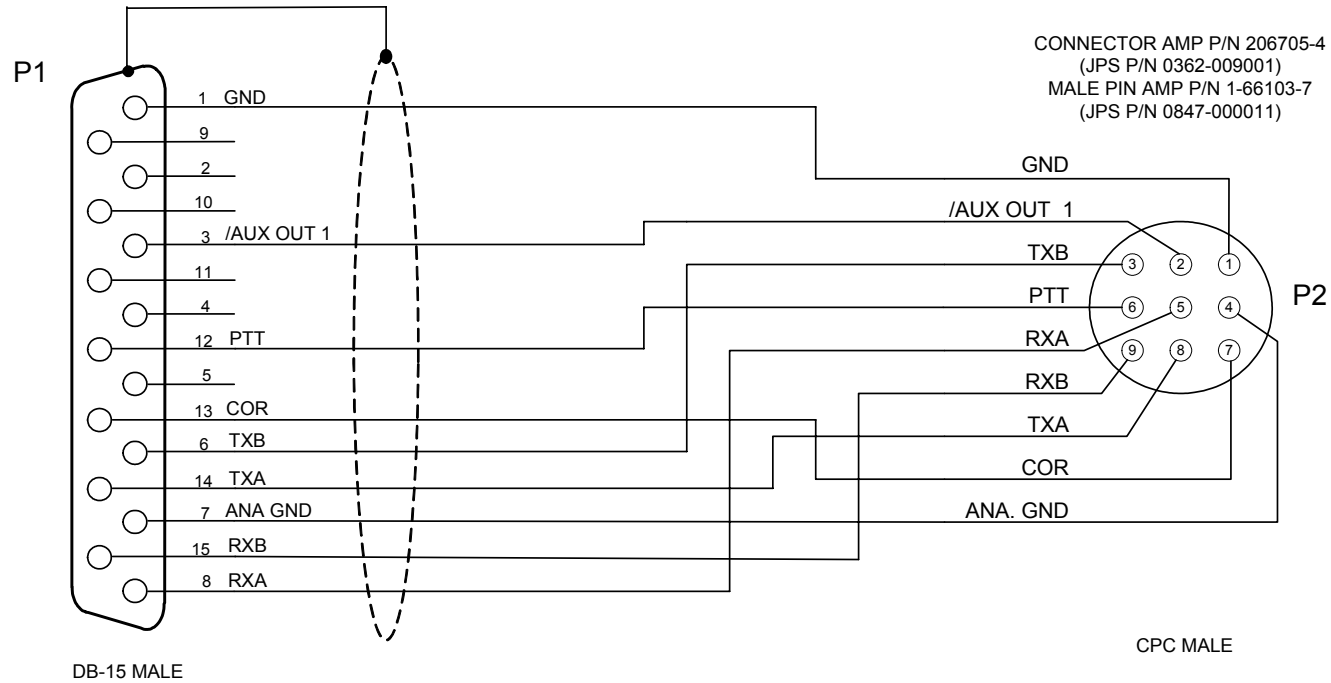
NOTE: SHIELD DRAIN CONNECTED TO PIN 1 OF P1 ONLY.

USED WITH:
Q-MAC HF-90 PORTABLE RADIO

Designed By: KBW	Raytheon JPS Communications Raleigh, NC USA		
Drawn By: EDV	Title CABLE, CPC TO Q-MAC HF-90		
Checked By: CTS	Size A	Document Number 5961-271240	Rev A
	Issued Date NOVEMBER 9, 2003	Sheet <u>1</u> of <u>1</u>	

PURCHASED PART

Rev	ECO	Date
A		



CONNECTOR AMP P/N 206705-4
 (JPS P/N 0362-009001)
 MALE PIN AMP P/N 1-66103-7
 (JPS P/N 0847-000011)

DB-15 MALE

CPC MALE



- NOTES: 1) USE BELDEN 9934 SHIELDED CABLE.
 2) CONNECT SHIELD DRAIN TO SHELL OF P1 ONLY.
 3) CONNECTORS P1 AND P2 MUST BE MOLDED TO THE CABLE.
 4) CABLE MUST BE LABELED WITH THE RAYTHEON/JPS P/N AND REV, VENDOR CODE AND DATE (MM/YY).

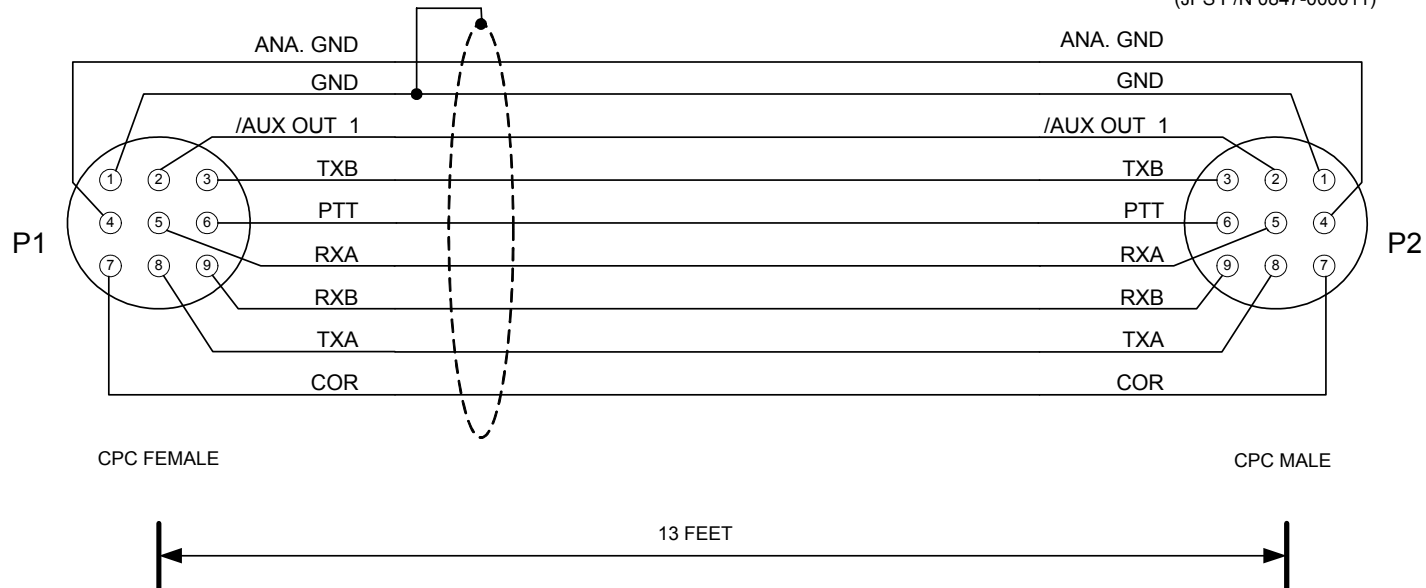
Designed By: JAC	Raytheon JPS Communications		
Drawn By: JAC	Title CABLE, ACU-1000 RADIO EXTENSION - 13 FT		
Checked By: RBP	Size A	Document Number 5961-261002-00	Rev A
Issued Date JANUARY 5, 2004		Sheet <u>1</u> of <u>1</u>	

Rev	ECO	Date
A		

PURCHASED PART

CONNECTOR AMP P/N 206708-1
 (JPS P/N 0362-005003)
 FEMALE PIN AMP P/N 1-66105-8
 (JPS P/N 0362-005002)

CONNECTOR AMP P/N 206705-4
 (JPS P/N 0362-009001)
 MALE PIN AMP P/N 1-66103-7
 (JPS P/N 0847-000011)



- NOTES: 1) USE BELDEN 9934 SHIELDED CABLE.
 2) CONNECT SHIELD DRAIN TO PIN 1 OF P1 ONLY.
 3) CONNECTORS P1 AND P2 MUST BE MOLDED TO THE CABLE.
 4) CABLE MUST BE LABELED WITH THE RAYTHEON/JPS P/N AND REV, VENDOR CODE AND DATE (MM/YY).

Designed By: JAC	Raytheon JPS Communications Raleigh, NC USA		
Drawn By: JAC	Title CABLE, ACU-T RADIO EXTENSION - 13 FT		
Checked By: RBP	Size A	Document Number 5961-281013-00	Rev A
Issued Date JANUARY 5, 2004		Sheet <u>1</u> of <u>1</u>	