


Engineer: Chris Samios	Date: 10/6/03	 Raytheon JPS Communications 5800 Departure Drive, Raleigh, NC 27616			
Drawn: Jack Curtis	Date: 10/7/03				
Approved: CTS	Date: 10/7/03	Title: ACU RADIO APPLICATION NOTES			
Issued/ Revised	Date: 3/24/04	Size: A	Dwg. #: 5961-271250-APP	Rev: A	Sheet: 1 Of 1

APPLIES TO: Motorola GP300 Portable Radio
Motorola HT-1225 Portable Radio
Motorola GTX Portable Radio
Motorola GTX LTR Portable Radio
Motorola LTS-2000 Portable Radio

RADIO MODIFICATIONS: None required.

RADIO PROGRAMMING: None required.

RADIO CONTROLS:

- Adjust the Volume Control until the yellow "SIGNAL" indicator on the associated DSP Module flashes with receive audio. Should be about in the mid-range (12 o'clock) position.

CABLING:

Standard ACU-1000 and ACU-T Interface cables are made up of a 2 foot TRP Radio Tray Interface cable and the appropriate 13-foot Extension cable.

ACU-1000 Interface Cable	JPS P/N 5961-291250	(5961-271250 + 5961-261002-00)
ACU-T Interface Cable	JPS P/N 5961-281250	(5961-271250 + 5961-281013-00)
TRP-1000 Shelf Interface Cable	JPS P/N 5961-271250	
Radio RF Connector Type		

DSP PROGRAMMING:

RX Level	3*	0dBm*
TX Level	6*	0dBm*
Squelch Type	VOX*	
COR Polarity	Active Low*	
High Frequency Equalizer	4*	Flat*
RX Audio Delay	2*	100 ms*
TX Audio Delay (Radio Type)	0*	No Delay*
Noise Reduction Value	0*	Off*
VOX/VMR Threshold	1*	Med1*
VOX/VMR Hang Time	3*	775 ms*
COR Inhibit After PTT	1*	100 ms*
All Others	As needed	

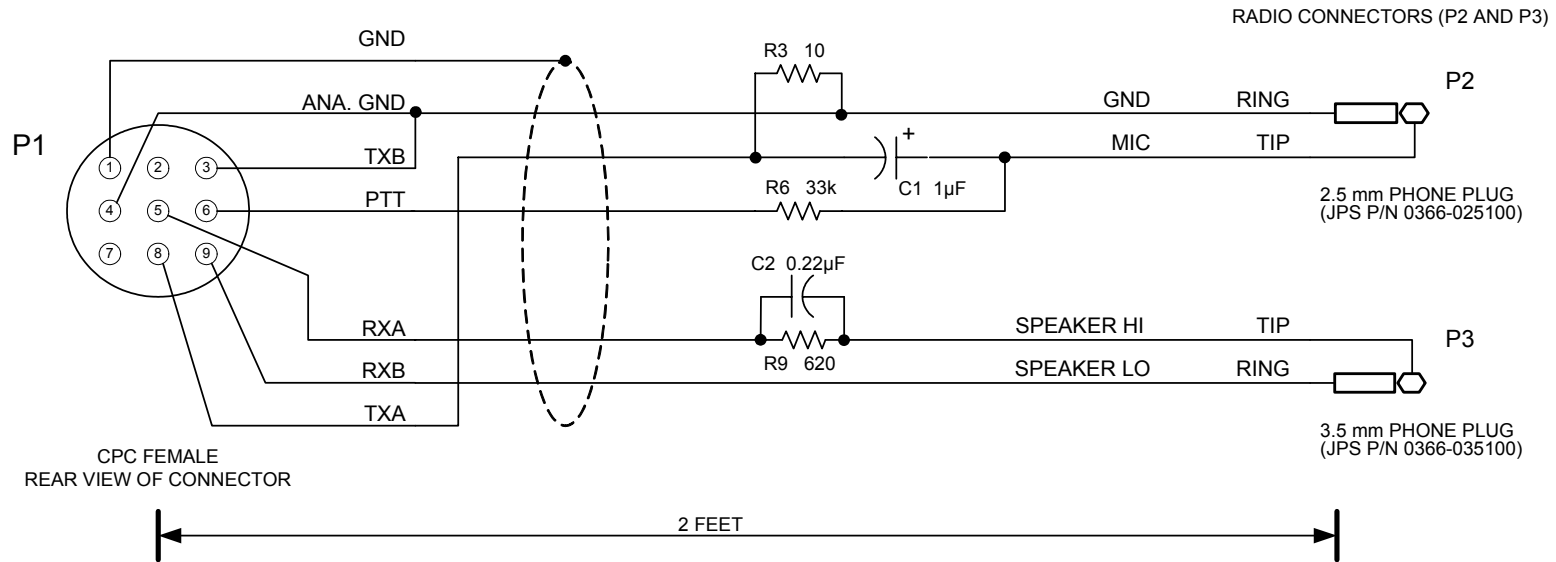
(* Indicates Default Value)

NOTES:

Rev	ECO	Date
A		

PURCHASED PART

USE MOLDED CABLE
(JPS P/N 5961-261003-00)



COMPONENT PCB (JPS P/N 5961-271000)	
C1	JPS P/N 0320-010500
C2	JPS P/N 0327-226500
R3	JPS P/N 1820-100000
R6	JPS P/N 1820-333000
R9	JPS P/N 1820-621000
JU2	
JU5	

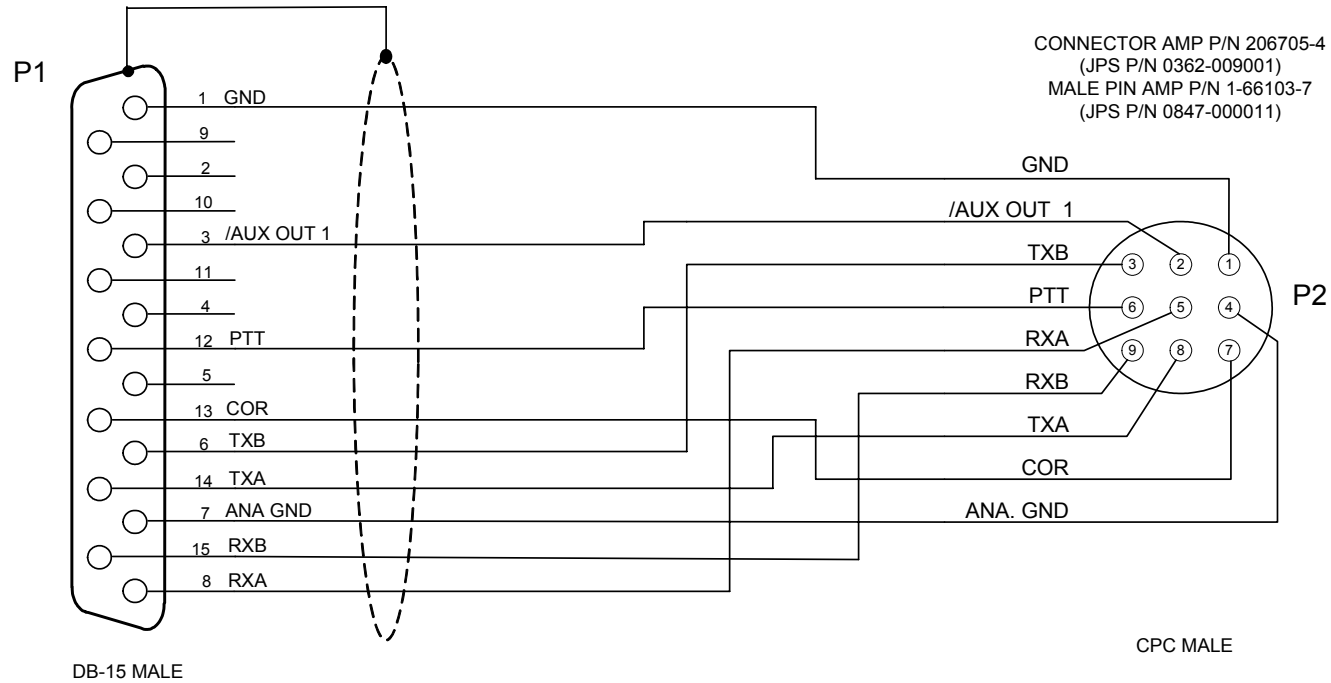
USED WITH:
MOTOROLA GP-300 PORTABLE
MOTOROLA HT-1225 PORTABLE
MOTOROLA GTX PORTABLE
MOTOROLA GTX LTR PORTABLE
MOTOROLA LTS-2000 PORTABLE

NOTES: SHIELD DRAIN CONNECTED TO PIN 1 OF P1 ONLY.

Designed By:	CTS	Raytheon JPS Communications Raleigh, NC USA	
Drawn By:	EDV	Title CABLE, CPC TO MOTOROLA GP-300	
Checked By:	JAC	Size A	Document Number 5961-271250
	Issued Date	NOVEMBER 7, 2003	Rev A
			Sheet <u>1</u> of <u>1</u>

PURCHASED PART

Rev	ECO	Date
A		



CONNECTOR AMP P/N 206705-4
 (JPS P/N 0362-009001)
 MALE PIN AMP P/N 1-66103-7
 (JPS P/N 0847-000011)

DB-15 MALE

CPC MALE



- NOTES: 1) USE BELDEN 9934 SHIELDED CABLE.
 2) CONNECT SHIELD DRAIN TO SHELL OF P1 ONLY.
 3) CONNECTORS P1 AND P2 MUST BE MOLDED TO THE CABLE.
 4) CABLE MUST BE LABELED WITH THE RAYTHEON/JPS P/N AND REV, VENDOR CODE AND DATE (MM/YY).

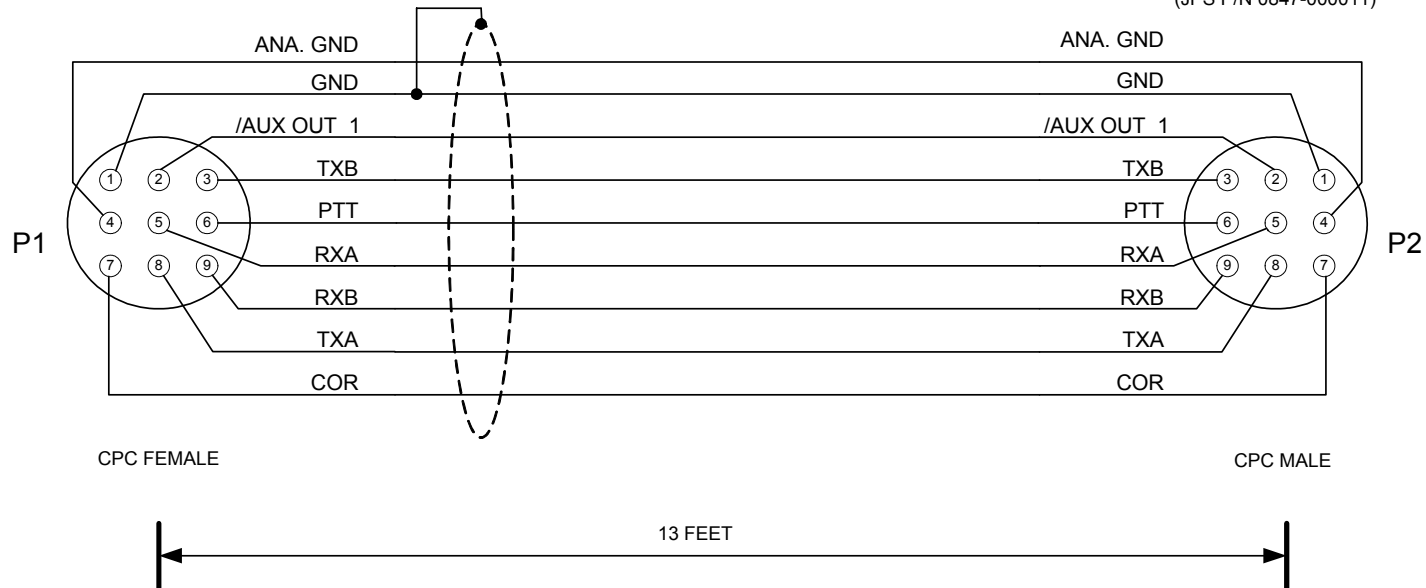
Designed By: JAC	Raytheon JPS Communications		
Drawn By: JAC	Title CABLE, ACU-1000 RADIO EXTENSION - 13 FT		
Checked By: RBP	Size A	Document Number 5961-261002-00	Rev A
Issued Date JANUARY 5, 2004		Sheet <u>1</u> of <u>1</u>	

Rev	ECO	Date
A		

PURCHASED PART

CONNECTOR AMP P/N 206708-1
 (JPS P/N 0362-005003)
 FEMALE PIN AMP P/N 1-66105-8
 (JPS P/N 0362-005002)

CONNECTOR AMP P/N 206705-4
 (JPS P/N 0362-009001)
 MALE PIN AMP P/N 1-66103-7
 (JPS P/N 0847-000011)



- NOTES: 1) USE BELDEN 9934 SHIELDED CABLE.
 2) CONNECT SHIELD DRAIN TO PIN 1 OF P1 ONLY.
 3) CONNECTORS P1 AND P2 MUST BE MOLDED TO THE CABLE.
 4) CABLE MUST BE LABELED WITH THE RAYTHEON/JPS P/N AND REV, VENDOR CODE AND DATE (MM/YY).

Designed By: JAC	Raytheon JPS Communications Raleigh, NC USA		
Drawn By: JAC	Title CABLE, ACU-T RADIO EXTENSION - 13 FT		
Checked By: RBP	Size A	Document Number 5961-281013-00	Rev A
Issued Date JANUARY 5, 2004		Sheet <u>1</u> of <u>1</u>	