

PARTS CATALOG SECTION

Contents

- [PARTS01-10](#) 1. How to use Parts Catalog
- [PARTS02-10](#) 2. Parts List of DKU505I
- [PARTS03-10](#) 3. Parts List of DKC510I
- [PARTS04-10](#) 4. Parts List of PCB and Memory Module
 - [PARTS04-10](#) 4.1 PCB Location
 - [PARTS04-10](#) 4.1.1 RoHS not Applied
 - [PARTS04-31](#) 4.1.2 RoHS Applied
 - [PARTS04-40](#) 4.2 Shared Memory Module Location
 - [PARTS04-40](#) 4.2.1 RoHS not Applied
 - [PARTS04-41](#) 4.2.2 RoHS Applied
 - [PARTS04-50](#) 4.3 Cache Memory Module Location
 - [PARTS04-50](#) 4.3.1 RoHS not Applied
 - [PARTS04-60](#) 4.3.2 RoHS Applied
 - [PARTS04-70](#) 4.4 Parts List
- [PARTS05-10](#) 5. Internal Cabling and Cable Assembly Parts List
 - [PARTS05-10](#) 5.1 Internal Cabling of DKC
 - [PARTS05-40](#) 5.2 Internal Cabling of DKU
 - [PARTS05-50](#) 5.3 Internal Cabling between DKC and DKU
 - [PARTS05-110](#) 5.4 Cable Assembly Parts List
 - [PARTS05-110](#) 5.4.1 RoHS not Applied
 - [PARTS05-200](#) 5.4.2 RoHS Applied
- [PARTS06-10](#) 6. Spare Parts List
- [PARTS07-10](#) 7. Tool List

1. How to use Parts Catalog

1. Parts list

Table 1-1 shows the reference page of each part.

Table 1-1 Reference page of each part

No.	Part Name	Pages
1	DKU	PARTS02-10 through 02-50
2	DKC	PARTS03-10 through 03-90
3	PCBs and Memory Modules	PARTS04-10 through 04-70
4	Cable Assemblies	PARTS05-10 through 05-190
5	Spare Parts	PARTS06-10 through 06-80

2. Tool list

This list shows tools necessary to exchange a part or to troubleshoot DKC510I and DKU505I.

3. How to refer to parts list

LIST AND INDEX NUMBER	PART NUMBER	NAME OF PART	UNITS PER ASSY	REMARKS
1-	2103559-B	DKU FINAL ASSY		
1	1505218-B	• DKU SUB ASSY	1	SEE LIST2
2	1505222-B	• DKU DOOR ASSY	2	SEE LIST3

① : Indicates the list number of the assembly.

② : Indicates the item number given in the figure.

③ : Indicates the part number.

④ : Non-dot mark indicates a main assembly in a parts list.

One-dot mark indicates a part included in a main assembly.

Two-dot mark indicates a part included in a one-dot marked part.

⑤ : Indicates the unit type.

⑥ : Indicates the detailed list number if any.

⑦ : Indicates a quantity per main assembly.

⑧ : If 'SP' is written, it indicates a spare part.

2. Parts List of DKU505I

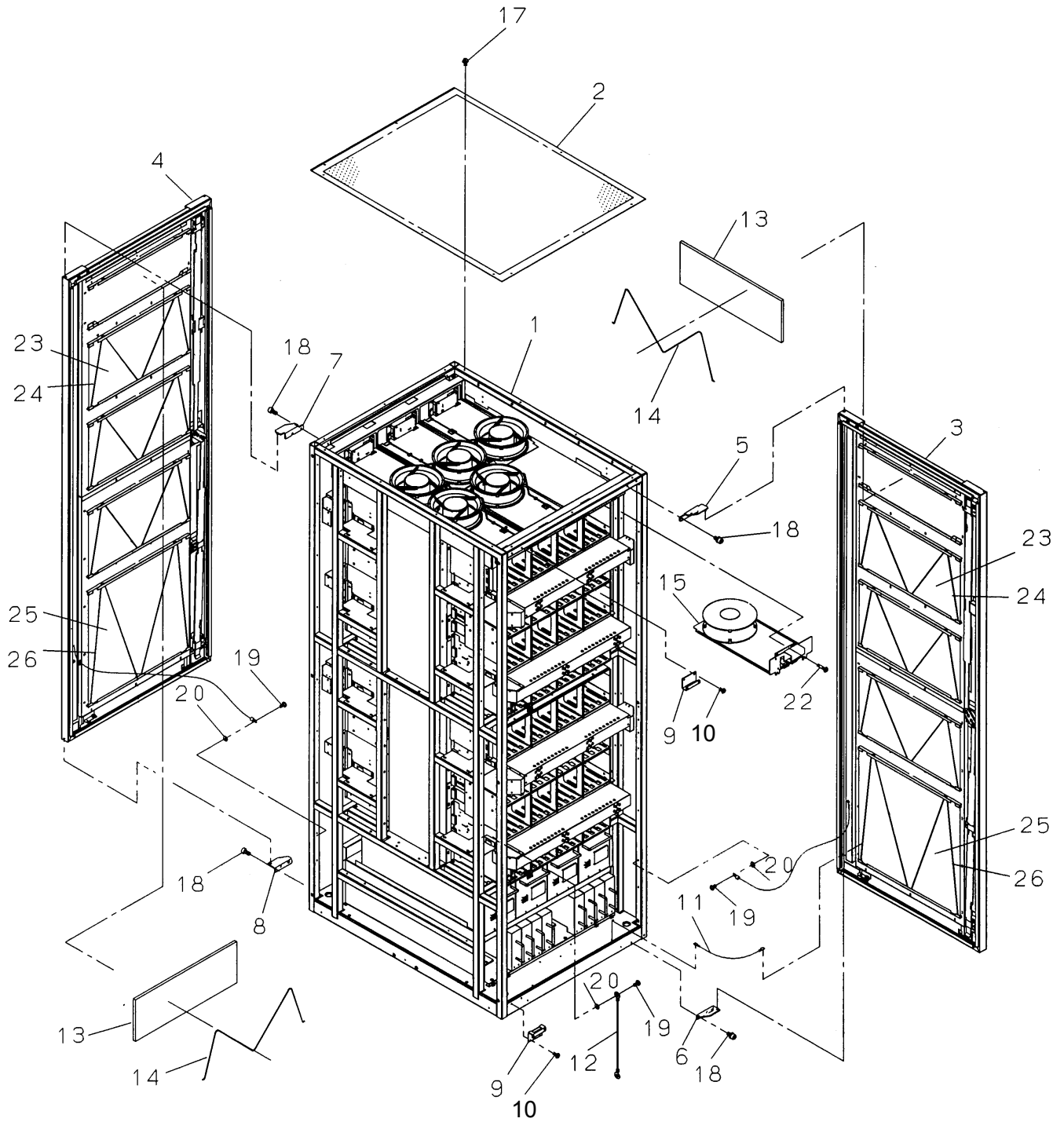


Fig. 2-1 DKU ASSY

PARTS LIST 1-1 (Parts listed below are shown in Fig. 2-1)

LIST AND INDEX NUMBER	PART NUMBER		NAME OF PART	UNITS PER ASSY	REMARKS
	RoHS not applied	RoHS applied			
1-			DKU ASSY	—	
1	1507373-A	1507859-A	MAIN ASSY(DKU)	1	
2	—	3267901-1	• TOP COVER	1	
3	3268997-A,B,D	3272840-A,B,D	• FRONT DOOR	1	Note1
4	3268998-A,B,D	3272841-A,B,D	• REAR DOOR	1	Note1
5	5513793-B	5513793-D	• HINGE ASM(F-U)	1	
6	5513792-B	5513792-D	• HINGE ASM(F-L)	1	
7	5513795-A	5513795-C	• HINGE ASM(R-U)	1	
8	5513794-A	5513794-C	• HINGE ASM(R-L)	1	
9	—	5524043-1	• STOPPER(LATCH)	4	
10	—	5513661-412	• SCREW(STOPPER)	8	
11	—	3210567-101	• WIRE ROPE(STOPPER)	2	
12	5524153-1	5526215-1	• CABLE ASSY(GND)	1	
13	—	3268842-1	• DOOR FILTER	2	
14	—	3268839-1	• STOPPER(FILTER)U	2	
15	5524224-A	5524224-C	• HDD FAN ASSY	6	S.P
16					
17	3183101-1	3269547-1	• HWA BIND SCREW	14	
18	—	BS510N	• SOCKET BOLT(NI)	8	
19	—	SB408N	• BIND SCREW(NI)	3	
20	—	WT004N	• LOCK WASHER(NI)	3	
21					
22	—	5513661-425	• SCREW(STOPPER)NI	12	
23	—	3268842-2	• DOOR(FILTER)	6	
24	—	3268840-1	• STOPPER(FILTER)M	6	
25	—	3268842-3	• DOOR(FILTER)	2	
26	—	3268841-1	• STOPPER(FILTER)L	2	

Note1 : P/N-A: DKU-F505I-DH/DHR

P/N-B: DKU505I-18P/18PR

P/N-D: DKU-F505I-DS/DSR

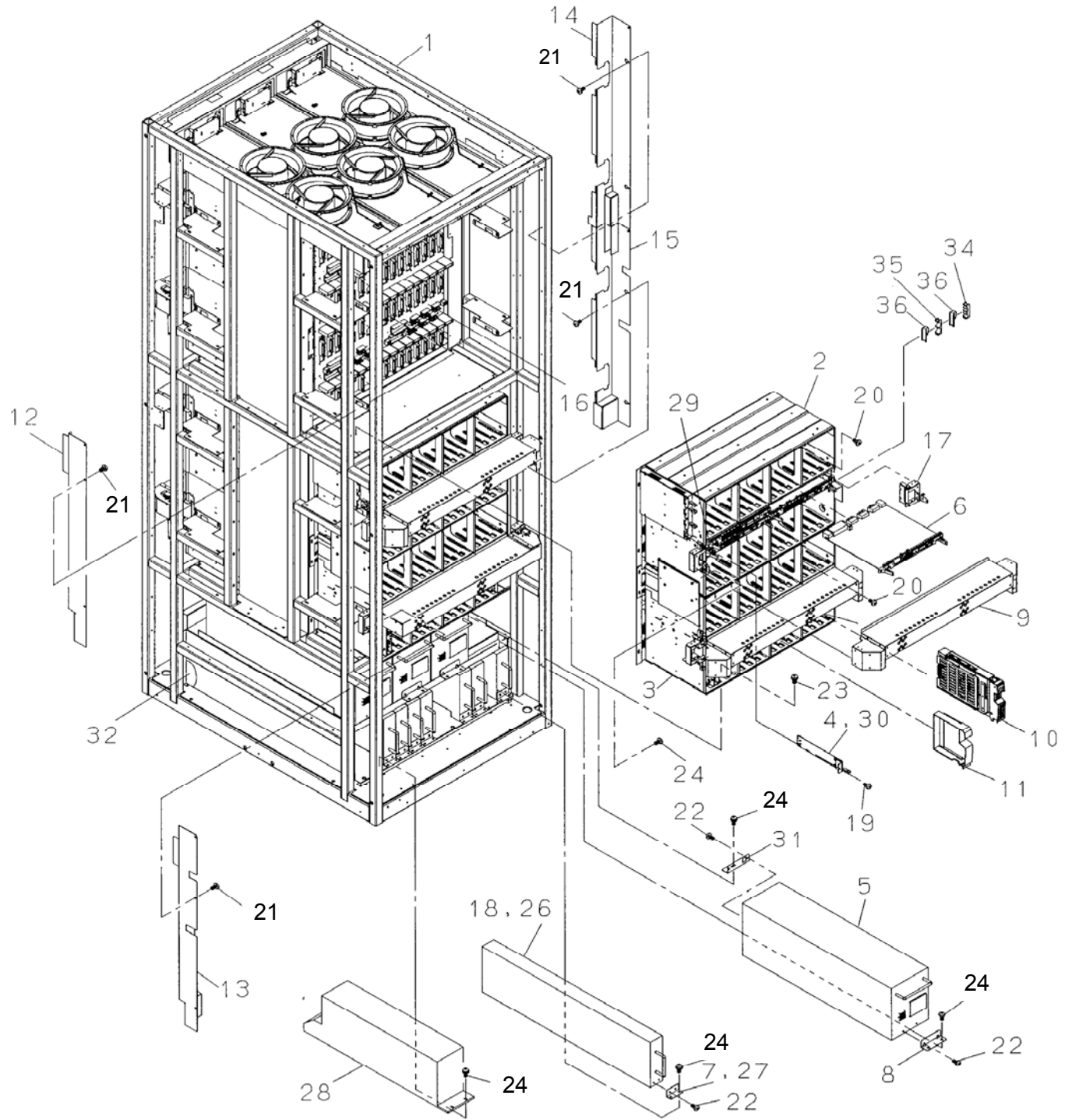


Fig. 2-2 MAIN ASSY (DKU)

PARTS LIST 1-2 (Parts listed below are shown in Fig. 2-2)

LIST AND INDEX NUMBER	PART NUMBER		NAME OF PART	UNITS PER ASSY	REMARKS
	RoHS not applied	RoHS applied			
2-			MAIN ASSY(DKU)	—	
1	1507372-A	1507858-A	SUB-MAIN ASSY(DKU)	1	
2	—	2106906-A	• HDD BOX(U)_ASSY	4	
3	—	2106907-A	• HDD BOX(L)_ASSY	4	
4	5524245-A	5524245-C	• SH360-A,B P/K-ASSY	8	S.P
5	5524221-A	5524221-C	• DKUPS(HS2950/PPD2950)	4	S.P
6	5524243-A	5524243-C	• SH358-A,C P/K_ASSY	16	S.P
7	—	5522806-1	• STOPPER(BATT)	4	
8	—	5522777-1	• PS-BRACKET(F)	4	
9	—	3268657-A	• COVER(FSW)DKU ASSY	8	
10	5524271-A	5524271-D	• HDU500-72KSFC	1	S.P, Note1
	—	5524272-D	• HDU500-146KSFC	1	S.P, Note2
	—	5524276-D	• HDU500-300KSFC	1	S.P
	5524269-A	5524269-D	• HDU500-146JSFC	1	S.P, Note3
	—	5524270-D	• HDU500-300JSFC	1	S.P, Note4
	—	5524274-D	• HDU500-72JSFC	1	S.P, Note5
	—	5524271-E	• HDU500-72K1FC	1	S.P, Note6
	—	5524272-E	• HDU500-146K1FC	1	S.P, Note7
	—	5524269-E	• HDU500-146J1FC	1	S.P, Note8
	—	5524270-E	• HDU500-300J1FC	1	S.P, Note9
	—	5524276-E	• HDU500-300K1FC	1	S.P, Note10
	—	5524277-E	• HDU500-400J1FC	1	S.P, Note11
	—	5524271-F	• HDU500-72K2FC	1	S.P, Note12
	—	5524269-F	• HDU500-146J2FC	1	S.P, Note13
	—	5524272-F	• HDU500-146K2FC	1	S.P, Note14
	—	5524270-F	• HDU500-300J2FC	1	S.P, Note15

Note1 : DKU-F505I-72KS/72KSR

Note2 : DKU-F505I-146KSR

Note3 : DKU-F505I-146JS/146JSR

Note4 : DKU-F505I-300JSR

Note5 : DKU-F505I-72JSR

Note6 : DKU-F505I-72KS/72KSR/72K1R

Note7 : DKU-F505I-146KSR/146K1R

Note8 : DKU-F505I-146JS/146JSR/146J1R

Note9 : DKU-F505I-300JSR/300J1R

Note10 : DKU-F505I-300KSR

Note11 : DKU-F505I-400JSR

Note12 : DKU-F505I-72KS/72KSR

Note13 : DKU-F505I-146JSR

Note14 : DKU-F505I-146KSR

Note15 : DKU-F505I-300JSR

PARTS LIST 1-2 (Parts listed below are shown in Fig. 2-2)

LIST AND INDEX NUMBER	PART NUMBER		NAME OF PART	UNITS PER ASSY	REMARKS
	RoHS not applied	RoHS applied			
11	—	2107413-1	• DUMMY CANISTER	—	
12	—	2106946-A	• DKU_COVER(L-U)_ASM	2	
13	—	2106947-A	• DKU_COVER(L-L)_ASM	2	
14	—	2106948-A	• DKU_COVER(R-U)_ASM	2	
15	—	2106949-A	• DKU_COVER(R-L)_ASM	2	

PARTS LIST 1-2 (Parts listed below are shown in Fig. 2-2)

LIST AND INDEX NUMBER	PART NUMBER		NAME OF PART	UNITS PER ASSY	REMARKS
	RoHS not applied	RoHS applied			
16	1507203-A	1507844-B	• LR018 B/P ASSY	4	
17	—	5524126-A	• COVER(DKU_CLAMP)_ASSY	16	
18	5524219-A	5524219-C	• BATTERY BOX PURCHASE	4	S.P
19	—	5513661-325	• SCREW-STOPPER(NI)	16	
20	—	SB308N	• BIND SCREW(NI)	88	
21	—	5513661-412	• SCREW-STOPPER(NI)	16	
22	—	SB408N	• BIND SCREW(NI)	32	
23	—	BS408N	• SOCKET BOLT(NI)	24	
24	—	3261959-408	• WA SOCKET BOLT(NI)	56	
25	—	5513553-433	• LL WASHER(NI)	8	
26	5524219-A	5524219-C	• BATTERY BOX	4	S.P, Note16
27	—	5522806-1	• STOPPER(BATT)	4	
28	5524218-A	5524218-C	• AC-BOX(Single Phase/50A)	2	S.P, Note17
	5524217-A	5524217-C	• AC-BOX(Single Phase/30A)	2	S.P, Note18
	5524216-A	5524216-C	• AC-BOX(3 Phase/30A)	2	S.P, Note19
29	5524243-A	5524243-C	• SH358-A,C P/K_ASSY	16	S.P, Note20
30	5524245-A	5524245-C	• SH360-A,B P/K_ASSY	8	S.P, Note20
31	—	5522778-1	• PS_BRACKET(R)	4	
32	2106884-A	2751014-B	• SH395-PK_ASSY	2	
33					
34	—	3268809-1	• FC_CLAMP(DKU)-1	8	
35	—	3268810-1	• FC_CLAMP(DKU)-2	8	
36	—	5522936-1	• CLIP(FC-CLAMP)	16	

Note16 : DKC-F510I-AB/ABR

Note17 : DKC-F510I-1PS/1PSR

Note18 : DKC-F510I-1PSD/1PSDR

Note19 : DKC-F510I-3PS/3PSR

Note20 : DKU-F505I-FSWA/FSWAR

3. Parts List of DKC510I

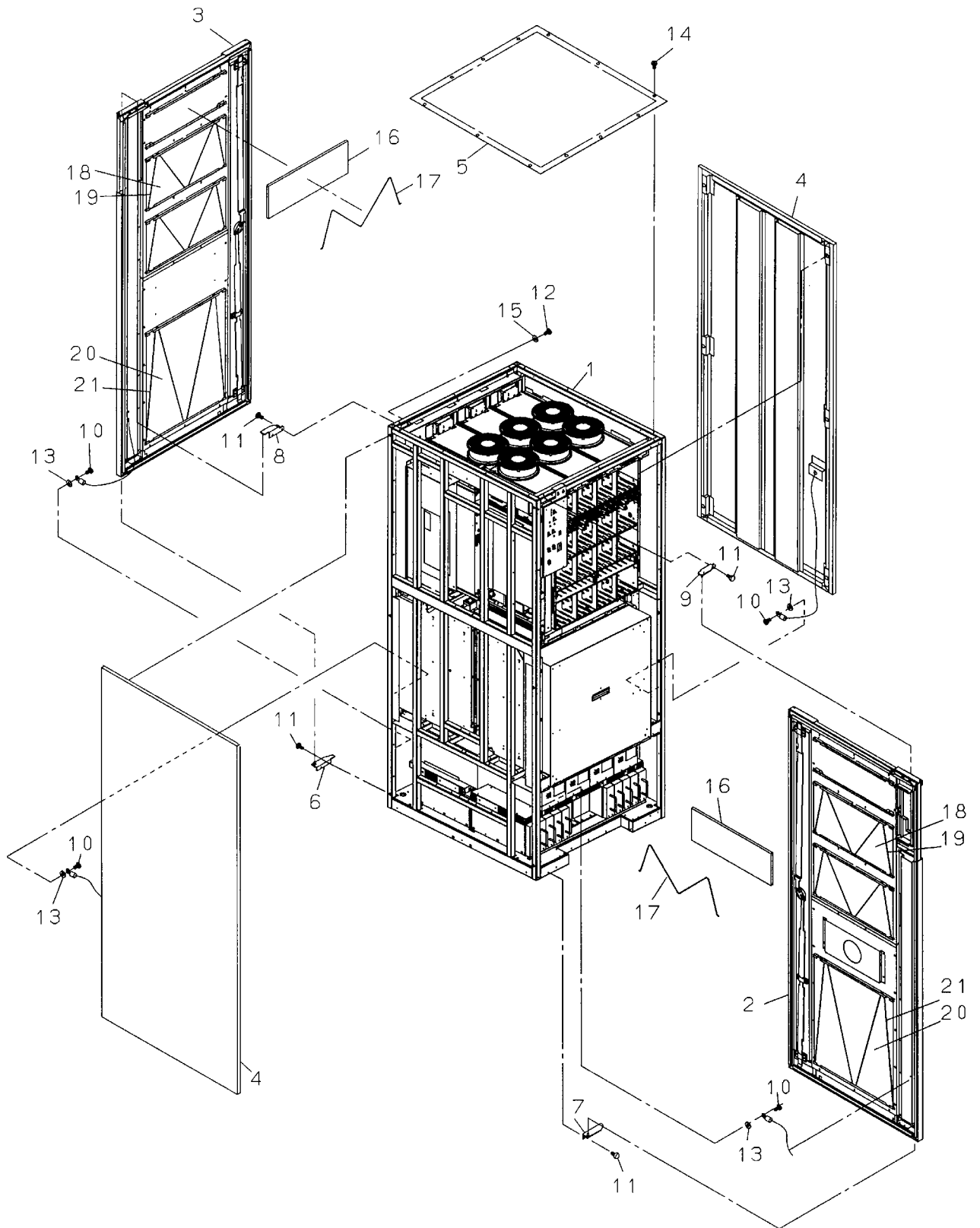


Fig. 3-1 DKC ASSY

PARTS LIST 2-1 (Parts listed below are shown in Fig. 3-1)

LIST AND INDEX NUMBER	PART NUMBER		NAME OF PART	UNITS PER ASSY	REMARKS
	RoHS not applied	RoHS applied			
6-			DKC ASSY	—	
1	1507224-A	1507869-A	• MAIN ASSY(DKC)	1	
2	3269810-A,B	3274100-A,B	• FRONT DOOR	1	Note1
3	3269811-A,B	3274101-A,B	• REAR DOOR	1	Note1
4	—	5526025-A,B	• SIDE COVER	2	Note2
5	—	3267916-1	• TOP COVER	1	
6	5513794-A	5513794-C	• HINGE ASM(R-L)	1	
7	5513792-A	5513792-C	• HINGE ASM(F-L)	1	
8	5513795-A	5513795-C	• HINGE ASM(R-U)	1	
9	5513793-A	5513793-C	• HINGE ASM(F-U)	1	
10	—	SB408N	• BINDING SCREW M4×8(NI)	4	
11	—	BS510N	• HEXAGON SOCKET BOLT M5×10(NI)	8	
12	—	SB536N	• BINDING SCREW M5×36(NI)	12	
13	—	WT004N	• LOCK WASHER M4(NI)	4	
14	3183101-1	3269547-1	• HWA BIND SCREW	12	
15	—	5513553-532	• LL WASHER(NI)	12	
16	—	3268842-1	• DOOR FILTER	2	
17	—	3268839-1	• STOPPER(FILTER)U	2	
18	—	3268842-2	• DOOR FILTER	4	
19	—	3268840-1	• STOPPER(FILTER)M	4	
20	—	3268842-4	• DOOR FILTER	2	
21	—	3263315-1	• STOPPER(FILTER-SC)	2	

Note1 : P/N-A: DKC-F510I-DH/DHR
P/N-B: DKC510I-5P/5PR

Note2 : P/N-A: DKC-F510I-DH/DHR
P/N-B: DKC510I-5P/5PR

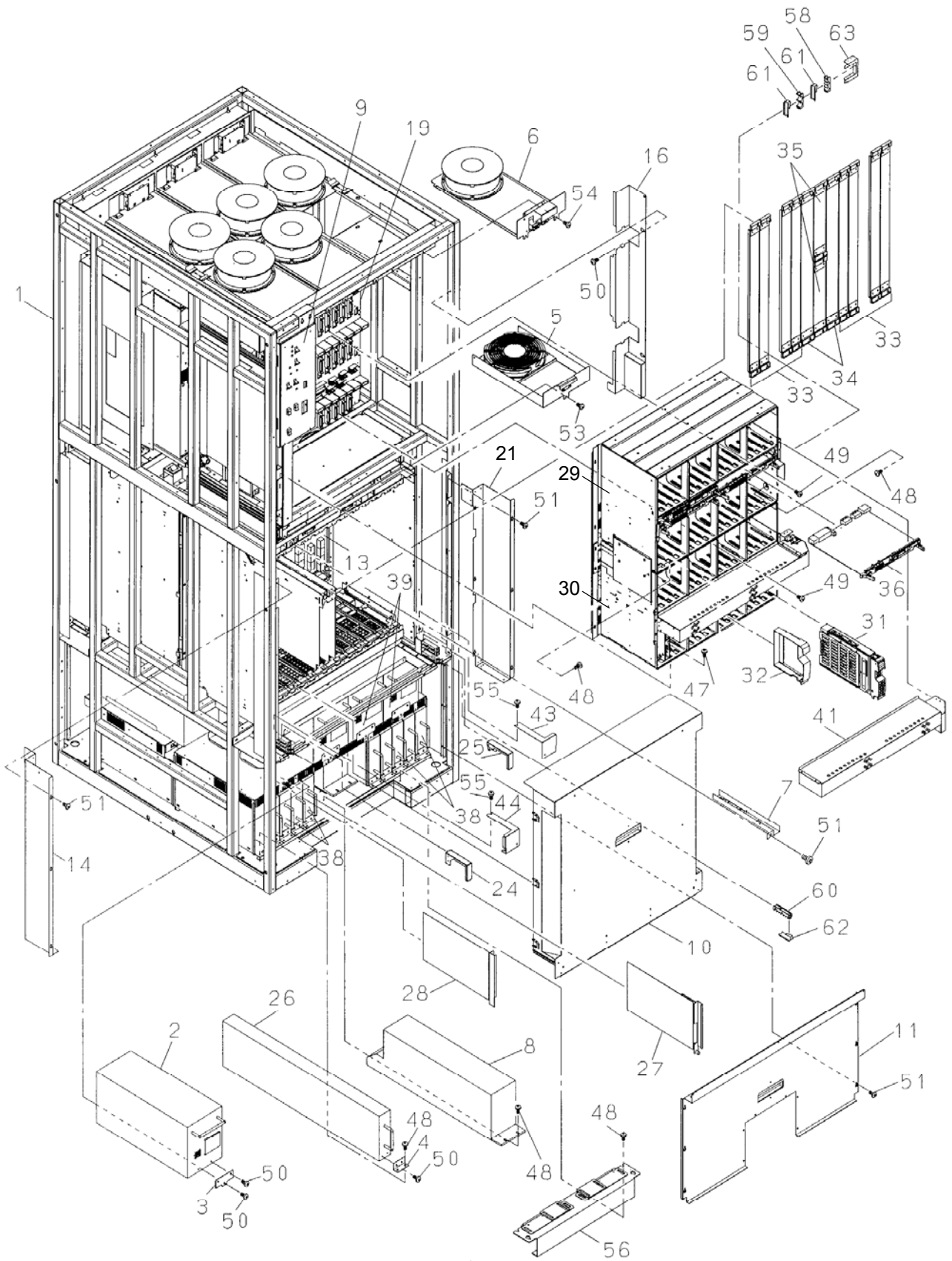


Fig. 3-2 MAIN ASSY (1/2) (FRONT SIDE)

PARTS LIST 2-2 (Parts listed below are shown in Fig. 3-2 and 3-3)

LIST AND INDEX NUMBER	PART NUMBER		NAME OF PART	UNITS PER ASSY	REMARKS
	RoHS not applied	RoHS applied			
7-	1507224-A	1507869-A	MAIN ASSY(DKC)	—	
1	1507223-A	1507870-A	• SUB MAIN ASSY (DKC)	1	
2	5524220-A	5524220-C	• DKCPS(HS1950/PPD1950)	4	S.P
3	—	5522803-1	• STOPPER(PS)	4	
4	—	5522806-1	• STOPPER(BATT)	6	
5	5524223-A	5524223-C	• DKC FAN ASSY	6	S.P
6	5524224-A	5524224-C	• HDD FAN ASSY	6	S.P
7	5524226-A	5524226-C	• TH- ASSY	4	S.P
8	5524218-A	5524218-C	• AC_BOX(Single Phase/50A)	2	S.P, Note1
	5524217-A	5524217-C	• AC_BOX(Single Phase/30A)		S.P, Note2
	5524216-A	5524216-C	• AC_BOX(3 Phase/30A)		S.P, Note3
9	2106913-A	2751034-A	• OP-PANEL2 ASSY	1	See PARTS LIST 2-3
10	—	2106993-A	• L/G COVER-ASSY	2	
11	—	3268651-A	• PS-COVER(F)_ASSY	1	
12	—	3268652-A	• PS-COVER(R)_ASSY	1	
13	5519764-5	5526218-1	• L/R016-BP-ASSY	1	
14	—	2107527-A	• LG-SIDE-COVER(FL)_ASM	1	
15					
16	—	2107501-A	• SIDE-COVER(F-R-U)_ASM	1	
17	—	2107502-A	• SIDE-COVER(R-L-U)_ASM	1	
18					
19	1507203-A	1507844-B	• L/R018-B/P_ASSY	2	
20	—	2106932-B	• LG-SIDE-COVER(RR)_ASM	1	
21	—	2106932-A	• LG-SIDE-COV (RR)_ASM	2	
22	5524211-A	5524211-C	• SVP	1	S.P
23	5524211-A	5524211-C	• SVP	1	S.P, Note4

Note 1 : DKC-F510I-1PS/1PSR

Note 2 : DKC-F510I-1PSD/1PSDR

Note 3 : DKC-F510I-3PS/3PSR

Note 4 : DKC-F510I-SVP/SVPR

PARTS LIST 2-3 (Parts listed below are shown in Fig. 3-2 and 3-3)

LIST AND INDEX NUMBER	PART NUMBER		NAME OF PART	UNITS PER ASSY	REMARKS
	RoHS not applied	RoHS applied			
24	—	5524122-A	• COVER(LG-CLAMP)ASSY	1	
25	—	5524122-B	• COVER(LG-CLAMP)ASSY	1	
26	5524219-A	5524219-C	• BATTERY-BOX-PURCHASE	6	S.P
27	5524239-A	5524239-C	• SH353-A,B P/K ASSY	2	S.P
28	5524238-A	5524238-C	• SH351-A,B P/K ASSY	1	S.P
29	—	2106906-B	• HDD-BOX(U)_ASSY	2	
30	—	2106907-A	• HDD-BOX(L)_ASSY	2	
31	5524271-A	5524271-D	• HDU500-72KSFC	1	S.P, Note5
	—	5524272-D	• HDU500-146KSFC	1	S.P, Note6
	—	5524276-D	• HDU500-300KSFC	1	S.P
	5524269-A	5524269-D	• HDU500-146JSFC	1	S.P, Note7
	—	5524270-D	• HDU500-300JSFC	1	S.P, Note8
	—	5524274-D	• HDU500-72JSFC	1	S.P, Note9
	—	5524271-E	• HDU500-72K1FC	1	S.P, Note10
	—	5524272-E	• HDU500-146K1FC	1	S.P, Note11
	—	5524269-E	• HDU500-146J1FC	1	S.P, Note12
	—	5524270-E	• HDU500-300J1FC	1	S.P, Note13
	—	5524276-E	• HDU500-300K1FC	1	S.P, Note14
	—	5524277-E	• HDU500-400J1FC	1	S.P, Note15
	—	5524271-F	• HDU500-72K2FC	1	S.P, Note16
	—	5524269-F	• HDU500-146J2FC	1	S.P, Note17
	—	5524272-F	• HDU500-146K2FC	1	S.P, Note18
	—	5524270-F	• HDU500-300J2FC	1	S.P, Note19

Note5 : DKU-F505I-72KS/72KSR

Note12 : DKU-F505I-146JS/146JSR/146J1R

Note6 : DKU-F505I-146KSR

Note13 : DKU-F505I-300JSR/300J1R

Note7 : DKU-F505I-146JS/146JSR

Note14 : DKU-F505I-300KSR

Note8 : DKU-F505I-300JSR

Note15 : DKU-F505I-400JSR

Note9 : DKC-F505I-72JSR

Note16 : DKU-F505I-72KS/72KSR

Note10 : DKU-F505I-72KS/72KSR/72K1R

Note17 : DKU-F505I-146JSR

Note11 : DKU-F505I-146KSR/146K1R

Note18 : DKU-F505I-146KSR

Note19 : DKU-F505I-300JSR

PARTS LIST 2-3 (Parts listed below are shown in Fig. 3-2 and 3-3)

LIST AND INDEX NUMBER	PART NUMBER		NAME OF PART	UNITS PER ASSY	REMARKS
	RoHS not applied	RoHS applied			
32	—	2107413-1	• DUMMY CANISTER	—	
33	—	3268640-A	• DUMMY PLATE(DK/CH)	12	
34	—	3268641-A	• DUMMY PLATE(CA)	4	
35	—	3268642-A	• DUMMY PLATE(SM)	2	
36	5524243-A	5524243-C	• SH358-A,C P/K ASSY	16	S.P
37	5524241-A	5524241-C	• SH355-A,B P/K ASSY	1	S.P, Note20
38	5524219-A	5524219-C	• BATTERY BOX	4	S.P, Note21
39	5524220-A	5524220-C	• DKCPS(HS1950/PPD1950)	4	S.P, Note22
40	5524214-A	5524214-C	• PC BREAKER BOX	1	S.P
41	—	3268655-A	• COVER(FSW-F)FC_ASSY	2	

Note20 : DKC-F510I-PCI/PCIR

Note21 : DKC-F510I-AB/ABR

Note22 : DKC-F510I-AP/APR

PARTS LIST 2-4 (Parts listed below are shown in Fig. 3-2 and 3-3)

LIST AND INDEX NUMBER	PART NUMBER		NAME OF PART	UNITS PER ASSY	REMARKS
	RoHS not applied	RoHS applied			
42	—	3268656-A	• COVER(FSW-R)FC_ASSY	1	
43	—	5522947-1	• LG-SIDEL-COVER(R)	1	
44	—	5522948-1	• LG-SIDEL-COVER(L)	1	
45	—	5522909-1	• STOPPER(BREAKER)	1	
46	—				
47	—	BS408N	• SOCKET BOLT	12	
48	—	3261959-408	• WA SOCKET BOLT(NI)	16	
49	—	SB308N	• BIND SCREW	44	
50	—	SB408N	• BIND SCREW	66	
51	—	5513661-312	• SCREW(STOPPER)NI	43	
52	—	5513661-412	• SCREW(STOPPER)NI	4	
53	—	5513661-325	• SCREW(STOPPER)NI	6	
54	—	5513661-425	• SCREW(STOPPER)NI	12	
55	—	SB306N	• BINDING SCREW M3×6(NI)	4	
56	3268653-A	3268653-B	• BASE(S/R-F)ASSY	1	
57	3268654-A	3268654-B	• BASE(S/R-R)ASSY	1	
58	—	3268809-1	• FC-CLAMP(DKU)-1	8	
59	—	3268810-1	• FC-CLAMP(DKU)-2	8	
60	—	3268811-1	• FC-CLAMP(DKC)	16	
61	—	5522936-1	• CLIP(FC-CLAMP)	16	
62	—	5522936-2	• CLIP(FC-CLAMP)	16	
63	—	5524126-A	• COVER(DKU_CLAMP)_ASSY	4	
64	—	5480385-1	• LOCK_SCREW	1	
65					

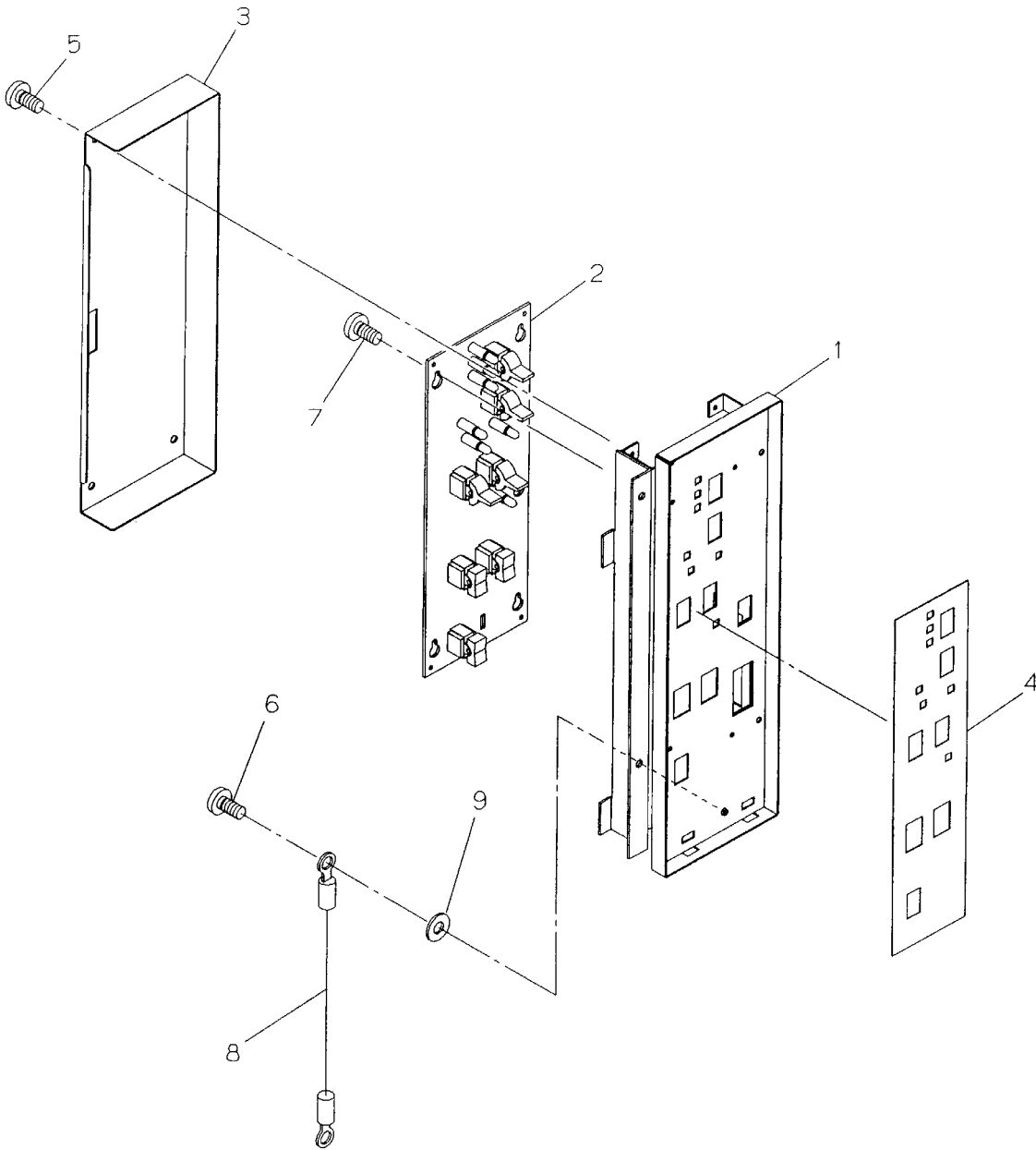


Fig. 3-4 OP PANEL ASSY

PARTS LIST 2-5 (Parts listed below are shown in Fig. 3-4)

LIST AND INDEX NUMBER	PART NUMBER		NAME OF PART	UNITS PER ASSY	REMARKS
	RoHS not applied	RoHS applied			
8-	2106913-A	2751034-A	OP PANEL2 ASSY	—	
1	—	2106964-A	• OP-PANEL(510) ASM	1	S.P
2	5524240-A	5524240-C	• SH354-A,B P/K ASSY	1	
3	—	3268645-1	• COVER(OP-PANEL)	1	
4	—	2107509-1	• OP-PANEL_SHEET	1	
5	—	5513661-310	• SCREW(STOPPER)	4	
6	—	SB306N	• BINDING SCREW M3X6(NI)	1	
7	—	5520000-1	• SCREW STOPPER(316N)	5	
8	—	5509212-A	• FG-CABLE_ASSY	1	
9	—	WT003N	• LOCK_WASHER(NI)	1	
10					
11					
12					
13					

REAR LOGIC BOX PCB LOCATION (RoHS not applied)

2M		2N		2P		2Q	2R	2CD (Note 1)			2SD			2CB (Note 1)			2T	2U	2V		2W		2X	
1 s t	8 t h	2 n d	7 t h	W P 5 3 0 A	W P 5 3 0 B	1 s t	2 n d	W P 5 4 1 A	W P 5 4 1 B	W P 5 4 1 B	W P 5 5 1 A	W P 5 5 1 B	W P 5 4 1 A	W P 5 4 1 B	W P 5 4 1 B	3 r d	4 t h	W P 5 3 0 A	W P 5 3 0 B	4 t h	5 t h	3 r d	6 t h	
DKA -2M	CHA -2M	DKA -2N	CHA -2N	*a	*b	CHA -2Q	CHA -2R	*B	*G	*K	SM-2SD 2SB	W P 5 5 2 A	W P 5 5 2 B	*a	*b	*K	CHA -2T	CHA -2U	*C	*H	DKA -2W	CHA -2W	DKA -2X	CHA -2X
Option B	Add.7	Option1	Add.6	Basic	Basic	Add.1	Add.	Add.	Add.	Basic	Add.2	Add.3	Add.	Option3	Add.4	Option2	Add.5							

- *A: DKC-F510I-SX *F: DKC-F510I-SXR *J: DKC-F510I-SX1GR *a: Basic PCB (RoHS not applied)
- *B: DKC-F510I-CX *G: DKC-F510I-CXR *K: DKC-F510I-CX1GR *b: Basic PCB (RoHS applied)
- *C: DKC-F510I-CSW *H: DKC-F510I-CSWR

(Note 1) WP541-B①: Part No. 5524251-C
 WP541-B②: Part No. 5524246-C

***D: Description of CHA PCBs**

CL2 (2Q, 2R, 2T, 2U, 2W, 2X, 2N or 2M)																							
W	S	W	S	W	S	W	S	W	S	W	S	W	S	W	S	W	S	W	S	W	S	W	S
5	3	5	3	5	3	5	3	5	3	5	3	5	3	5	3	5	3	5	3	5	3	5	3
1	4	1	4	1	4	1	4	1	4	1	4	1	4	1	4	1	4	1	4	1	4	1	4
2	3	4	3	4	3	5	3	7	3	6	3	3	3	2	3	5	3	5	3	7	3	3	3
A	A	D	B	C	B	B	A	A	A	A	B	B	B	A	A	A	B	D	B	C	B	D	B
x	x	x	x	x	x	x	x	x	x	x	x	x	x	x	x	x	x	x	x	x	x	x	x
1	4	1	4	1	4	1	4	1	2	1	4	1	4	1	4	1	4	1	2	1	4	1	4
*1	*2	*3	*4	*5	*6	*7	*8	*9	*10	*11	*12	*13	*14	*15	*16	*17	*18	*19	*20	*21	*22	*23	

- *1: DKC-F510I-16S *10: DKC-F510I-16SR *16: DKC-F510I-32FSR *21: DKC-F510I-16MFLR
- *2: DKC-F510I-16MLR *11: DKC-F510I-8MLR *17: DKC-F510I-8HSR *22: DKC-F510I-16MFSR
- *3: DKC-F510I-16MSR *12: DKC-F510I-8MSR *18: DKC-F510I-8FS2R *23: DKC-F510I-16MFL4R
- *4: DKC-F510I-8ML *13: DKC-F510I-8NSR (Note 2) *19: DKC-F510I-16FS2R
- *5: DKC-F510I-8MS *14: DKC-F510I-32HSR *20: DKC-F510I-32FS2R
- *6: DKC-F510I-8NS (Note 2) *15: DKC-F510I-16HSR
- *7: DKC-F510I-8ISR
- *8: DKC-F510I-32HS
- *9: DKC-F510I-16HS

(Note 2) The NAS8 port adapter (DKC-F510I-8NS/8NSR) cannot be added to the following slots.
 Slot No. 2M, 2N, 2W and 2X (addition 4, addition 5, addition 6 and addition 7)

***E: Description of DKA PCBs**

CL2 (2M, 2N, 2X or 2W)			
W	S	W	S
5	3	5	3
2	4	2	4
0	3	0	3
A	A	C	B
x	x	x	x
1	4	1	4
*1		*1,*2	

- *1: DKC-F510I-400
- *2:

FRONT PS AND BATTERY LOCATION (RoHS not applied)

CL1/CL2		CL1									
SSVP		DKCMN1		PS-11		PS-12		PS-13		PS-14	
S	S	S	S	P		P		P		P	
H	H	H	H	S		S		S		S	
3	3	3	3	1		1		1		1	
5	5	5	5	1		2		3		4	
1	1	3	3								
-	-	-	-								
A	B	A	B								
*a	*b	*a	*b					*A		*A	
B	B	B	B	B	A	A	B	B	B	B	B
A	A	A	A	A	C	C	A	A	A	A	A
T	T	T	T	T			T	T	T	T	T
T	T	T	T	T	B	B	T	T	T	T	T
E	E	E	E	E	O	O	E	E	E	E	E
R	R	R	R	R	X	X	R	R	R	R	R
Y	Y	Y	Y	Y	-	-	Y	Y	Y	Y	Y
-11	-12	-13	-14	-15	1	2	-21	-22	-23	-24	-25
		*B		*C				*B		*C	
LG	LG	LG	HDD	HDD	—	—	LG	LG	LG	HDD	HDD
CL1								CL2			

REAR PS LOCATION (RoHS not applied)

CL1/CL2		CL1									
SVP CON		DKCMN2		PS-21		PS-22		PS-23		PS-24	
S	S	S	S	P		P		P		P	
H	H	H	H	S		S		S		S	
3	3	3	3	2		2		2		2	
5	5	5	5	1		2		3		4	
7	7	3	3								
-	-	-	-								
A	B	A	B								
*a	*b	*a	*b					*A		*A	

*A: DKC-F510I-AP/APR

*a: RoHS not applied

*B: DKC-F510I-AB/ABR 1set

*b: RoHS applied

*C: DKC-F510I-AB/ABR 2sets

Fig. 4.1.1-3 PS and Battery Location

4.1.2 RoHS Applied

FRONT LOGIC BOX PCB LOCATION (RoHS applied)

CL1																	
1L		1K		1J	1H	1G	1CC (Note 1)		1SA	1CA (Note 1)	1F	1E	1D	1B		1A	
3 r d	6 t h	4 t h	5 t h	W P 5 3	4 t h	3 r d	W P 5 4	W P 5 4	W P 5 5	W P 5 4	2 n d	1 s t	W P 5 3	2 n d	7 t h	1 s t	8 t h
D K A	C H A	D K A	C H A	0 B	C H A	C H A	1 B	1 B	1 B	1 B	C H A	C H A	0 B	D K A	C H A	D K A	C H A
							①	②									
									SM-1SA								
									1SC								
									W P 5 5 2 B								
									*A, *G								
*E	*D	*E	*D	*C	*D	*D	*B	*H			*D	*D		*E	*D	*E	*D
DKA -1L	CHA -1L	DKA -1K	CHA -1K	CSW -1J	CHA -1H	CHA -1G	CACHE -1CC	SM-1SC	CACHE -1CA	CHA -1F	CHA -1E	CSW -1D	DKA -1B	CHA -1B	DKA -1A	CHA -1A	
Option2	Add.5	Option3	Add.4	Add.	Add.3	Add.2	Add.	Basic	Basic	Add.1	Basic	Basic	Option1	Add.6	Option B	Add.7	

- *A: DKC-F510I-SXR *G: DKC-F510I-SX1GR (Note 1) WP541-B①: Part No. 5524251-C
- *B: DKC-F510I-CXR *H: DKC-F510I-CX1GR WP541-B②: Part No. 5524246-C
- *C: DKC-F510I-CSWR

*D: Description of CHA PCBs

CL1 (1E, 1F, 1G, 1H, 1K, 1L, 1B or 1A)																	
W	S	W	S	W	S	W	S	W	S	W	S	W	S	W	S	W	S
P	H	P	H	P	H	P	H	P	H	P	H	P	H	P	H	P	H
5	3	5	3	5	3	5	3	5	3	5	3	5	3	5	3	5	3
1	4	1	4	1	4	1	4	1	4	1	4	1	4	1	4	1	4
2	3	5	3	5	3	7	3	3	3	3	3	8	3	3	8	3	8
B	B	D	B	C	B	D	B	C	B	D	B	B	B	E	B	G	B
x	x	x	x	x	x	x	x	x	x	x	x	x	x	x	x	x	x
1	4	1	4	1	4	1	4	1	4	1	4	1	2	1	2	1	2
*1	*2	*3	*4	*5	*6	*7	*8	*9	*10	*11	*12	*13	*14	*15	*16	*17	

- *1: DKC-F510I-16SR *6: DKC-F510I-16HSR *11: DKC-F510I-8HSR *15: DKC-F510I-16MFLR
- *2: DKC-F510I-8MLR *7: DKC-F510I-16MLR *12: DKC-F510I-8FS2R *16: DKC-F510I-16MFSR
- *3: DKC-F510I-8MSR *8: DKC-F510I-16MSR *13: DKC-F510I-16FS2R *17: DKC-F510I-16MFL4R
- *4: DKC-F510I-8NSR (Note 2) *9: DKC-F510I-32FSR *14: DKC-F510I-32FS2R
- *5: DKC-F510I-32HSR *10: DKC-F510I-8ISR

(Note 2) The NAS8 port adapter (DKC-F510I-8NSR) cannot be added to the following slots.
Slot No. 1A, 1B, 1K and 1L (addition 4, addition 5, addition 6 and addition 7)

*E: Description of DKA PCBs

CL1 (1A, 1B, 1L or 1K)	
W	S
P	H
5	3
2	4
0	3
C	B
x	x
1	4
*1	

*1: DKC-F510I-400R

Fig. 4.1.2-1 Front Logic Box PCB Location

REAR LOGIC BOX PCB LOCATION (RoHS applied)

CL2																		
2M		2N		2P	2Q	2R	2CD (Note 1)		2SD (Note 1)		2CB (Note 1)	2T	2U	2V	2W		2X	
1 s t	8 t h	2 n d	7 t h	W P 5 3 0 B	1 s t	2 n d	W P 5 4 1 B ①	W P 5 4 1 B ②	W P 5 5 1 B *A *G	W P 5 4 1 B ②	3 r d	4 t h	W P 5 3 0 B	4 t h	5 t h	3 r d	6 t h	
D K A	C H A	D K A	C H A		C H A	C H A	C A C H E - 2 C D	C A C H E - 2 S D	C A C H E - 2 C B	C H A - 2 T	C H A - 2 U	C S W - 2 V	D K A - 2 W	C H A - 2 W	D K A - 2 X	C H A - 2 X		
*E	*D	*E	*D		*D	*D	*B	*H			*D	*D	*C	*E	*D	*E	*D	
DKA -2M	CHA -2M	DKA -2N	CHA -2N	CSW -2P	CHA -2Q	CHA -2R	CACHE -2CD	SM-2SD	CACHE -2CB	CHA -2T	CHA -2U	CSW -2V	DKA -2W	CHA -2W	DKA -2X	CHA -2X		
Option B	Add.7	Option1	Add.6	Basic	Basic	Add.1	Add.	Add. / Basic	Basic	Add.2	Add.3	Add.	Option3	Add.4	Option2	Add.5		

- *A: DKC-F510I-SXR *G: DKC-F510I-SX1GR (Note 1) WP541-B①: Part No. 5524251-C
- *B: DKC-F510I-CXR *H: DKC-F510I-CX1GR WP541-B②: Part No. 5524246-C
- *C: DKC-F510I-CSWR

*D: Description of CHA PCBs

CL2 (2Q 2R, 2T, 2U, 2W, 2X, 2N or 2M)																	
W	S	W	S	W	S	W	S	W	S	W	S	W	S	W	S	W	S
P	H	P	H	P	H	P	H	P	H	P	H	P	H	P	H	P	H
5	3	5	3	5	3	5	3	5	3	5	3	5	3	5	3	5	3
1	4	1	4	1	4	1	4	1	4	1	4	1	4	1	4	1	4
2	3	2	3	2	3	2	3	2	3	2	3	2	3	2	3	2	3
B	B	D	B	C	B	C	B	D	B	C	B	D	B	E	B	G	B
x	x	x	x	x	x	x	x	x	x	x	x	x	x	x	x	x	x
1	4	1	4	1	4	1	4	1	2	1	4	1	4	1	2	1	4
*1		*2		*3		*4		*5		*6		*7		*8		*9	

- *1: DKC-F510I-16SR *6: DKC-F510I-16HSR *11: DKC-F510I-8HSR *15: DKC-F510I-16MFLR
- *2: DKC-F510I-8MLR *7: DKC-F510I-16MLR *12: DKC-F510I-8FS2R *16: DKC-F510I-16MFSR
- *3: DKC-F510I-8MSR *8: DKC-F510I-16MSR *13: DKC-F510I-16FS2R *17: DKC-F510I-16MFL4R
- *4: DKC-F510I-8NSR (Note 2) *9: DKC-F510I-32FSR *14: DKC-F510I-32FS2R
- *5: DKC-F510I-32HSR *10: DKC-F510I-8ISR

(Note 2) The NAS8 port adapter (DKC-F510I-8NSR) cannot be added to the following slots.
Slot No. 2M, 2N, 2W and 2X (addition 4, addition 5, addition 6 and addition 7)

*E: Description of DKA PCBs

CL2 (2M, 2N, 2X or 2W)	
W	S
P	H
5	3
2	4
0	3
C	B
x	x
1	4
*1	

*1: DKC-F510I-400R

Fig. 4.1.2-2 Rear Logic Box PCB

FRONT PS AND BATTERY LOCATION (RoHS applied)

CL1/CL2		CL1									
SSVP		DKCMN1		PS-11		PS-12		PS-13		PS-14	
S		S		P		P		P		P	
H		H		S		S		S		S	
3		3		1		1		1		1	
5		5		1		2		3		4	
1		3									
-		-									
B		B									
								*A		*A	
B	B	B	B	B	A	A	B	B	B	B	B
A	A	A	A	A	C	C	A	A	A	A	A
T	T	T	T	T			T	T	T	T	T
T	T	T	T	T	B	B	T	T	T	T	T
E	E	E	E	E	O	O	E	E	E	E	E
R	R	R	R	R	X	X	R	R	R	R	R
Y	Y	Y	Y	Y	-	-	Y	Y	Y	Y	Y
-11	-12	-13	-14	-15	1	2	-21	-22	-23	-24	-25
		*B		*C					*B		*C
LG	LG	LG	HDD	HDD	—	—	LG	LG	LG	HDD	HDD
CL1								CL2			

REAR PS LOCATION (RoHS applied)

CL1/CL2		CL1				
SVP CON		DKCMN2	PS-21	PS-22	PS-23	PS-24
S		S	P	P	P	P
H		H	S	S	S	S
3		3	2	2	2	2
5		5	1	2	3	4
7		3				
-		-				
B		B				
					*A	*A

*A: DKC-F510I-APR

*B: DKC-F510I-ABR 1set

*C: DKC-F510I-ABR 2sets

Fig. 4.1.2-3 PS and Battery Location

4.2 Shared Memory Module Location

4.2.1 RoHS not Applied

Note: DKC-F510I-S2GR can be installed on the Shared Memory PCB of DKC-F510I-SX1GR. It cannot be installed on the Shared Memory PCB of Basic PCB and DKC-F510I-SX/SXR.

1. Standard Shared Memory PCB (Basic PCB or DKC-F510I-SX1GR)

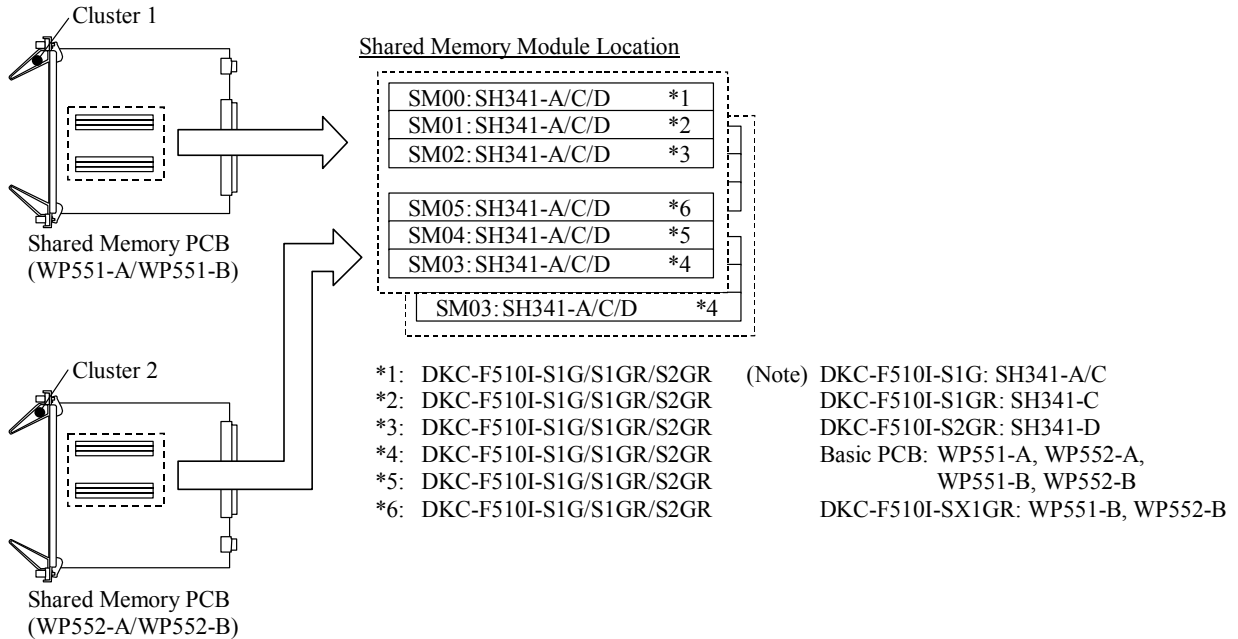


Fig. 4.2.1-1 Shared Memory Module Location (RoHS not applied)

2. Additional Shared Memory PCB (DKC-F510I-SX/SXR/SX1GR)

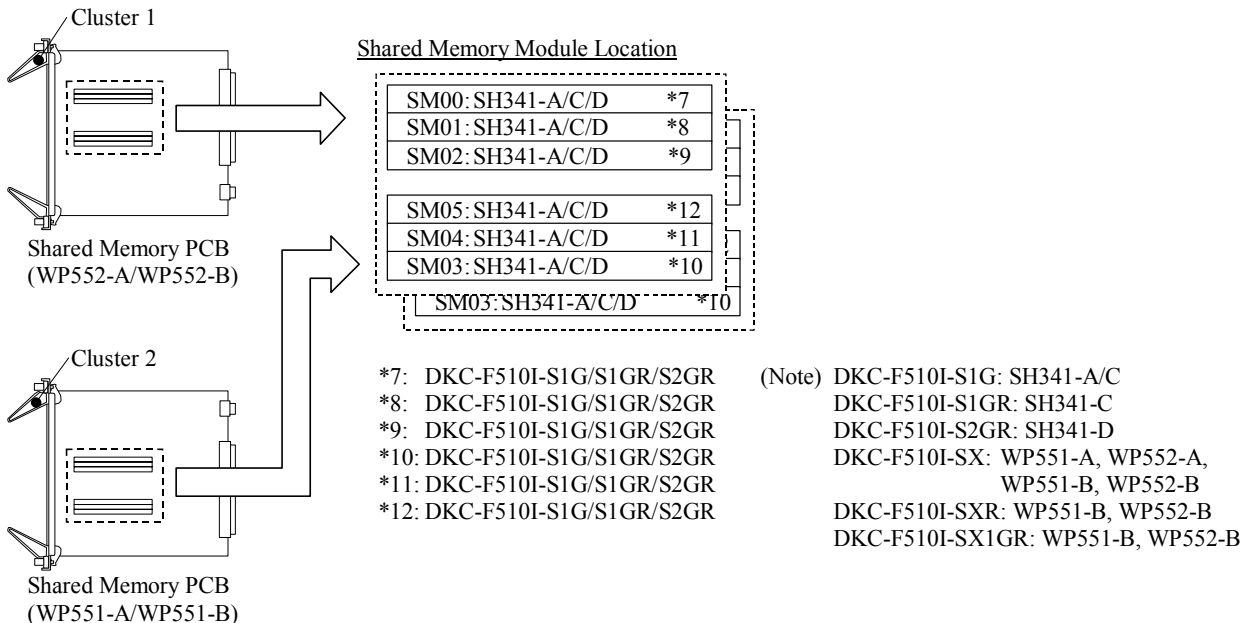


Fig. 4.2.1-2 Shared Memory Module Location (RoHS not applied)

4.2.2 RoHS Applied

Note: DKC-F510I-S2GR can be installed on the Shared Memory PCB of Basic PCB and DKC-F510I-SX1GR. It cannot be installed on the Shared Memory PCB of DKC-F510I-SXR.

1. Standard Shared Memory PCB (Basic PCB)

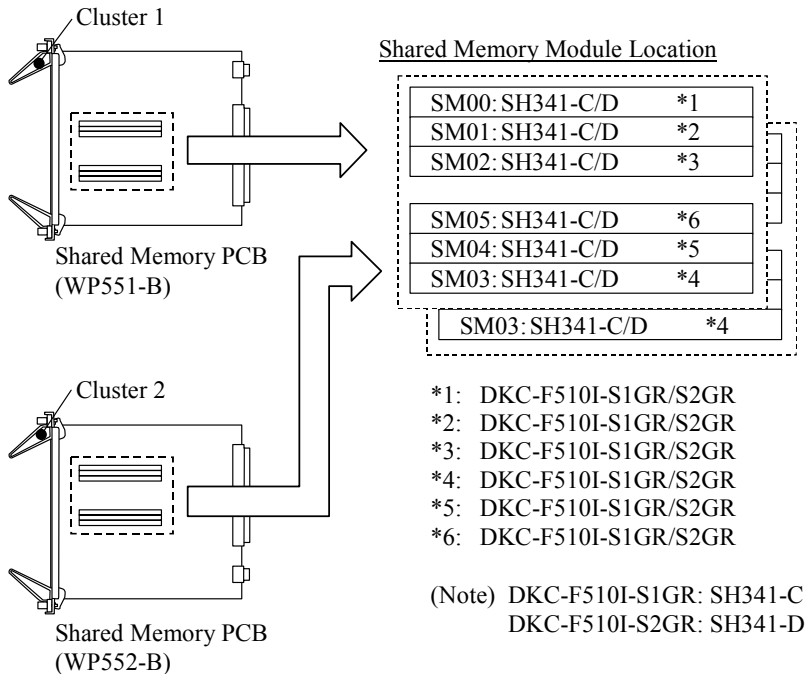


Fig. 4.2.2-1 Shared Memory Module Location (RoHS applied)

2. Additional Shared Memory PCB (DKC-F510I-SXR/SX1GR)

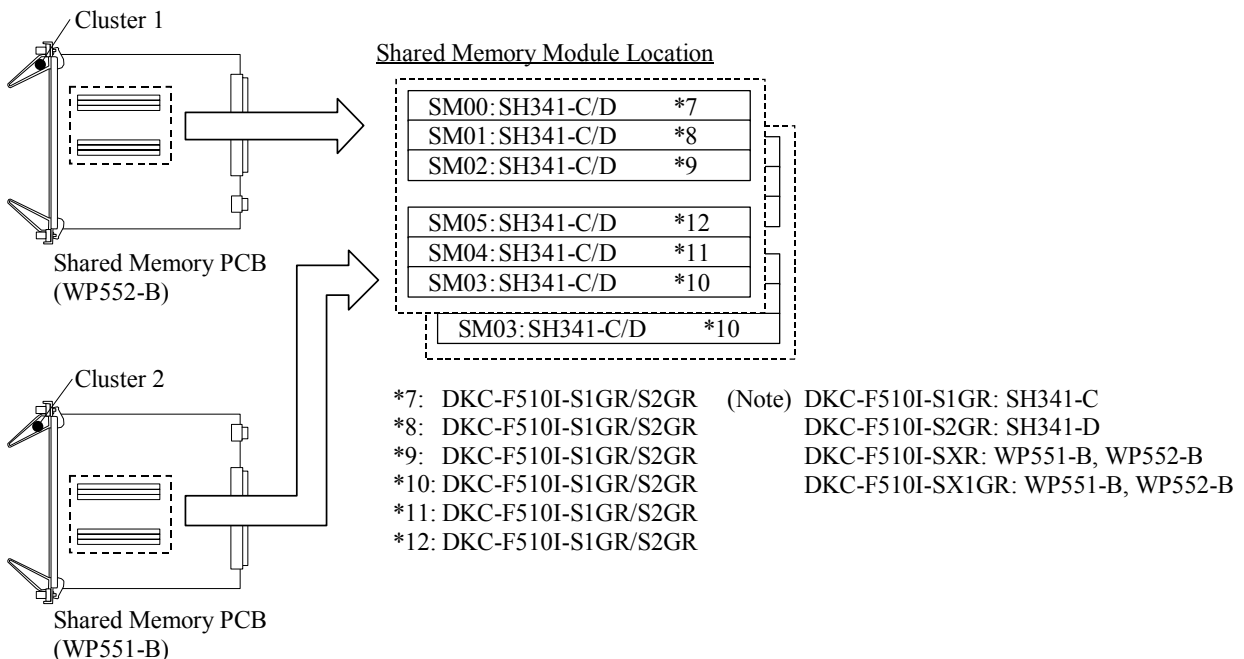


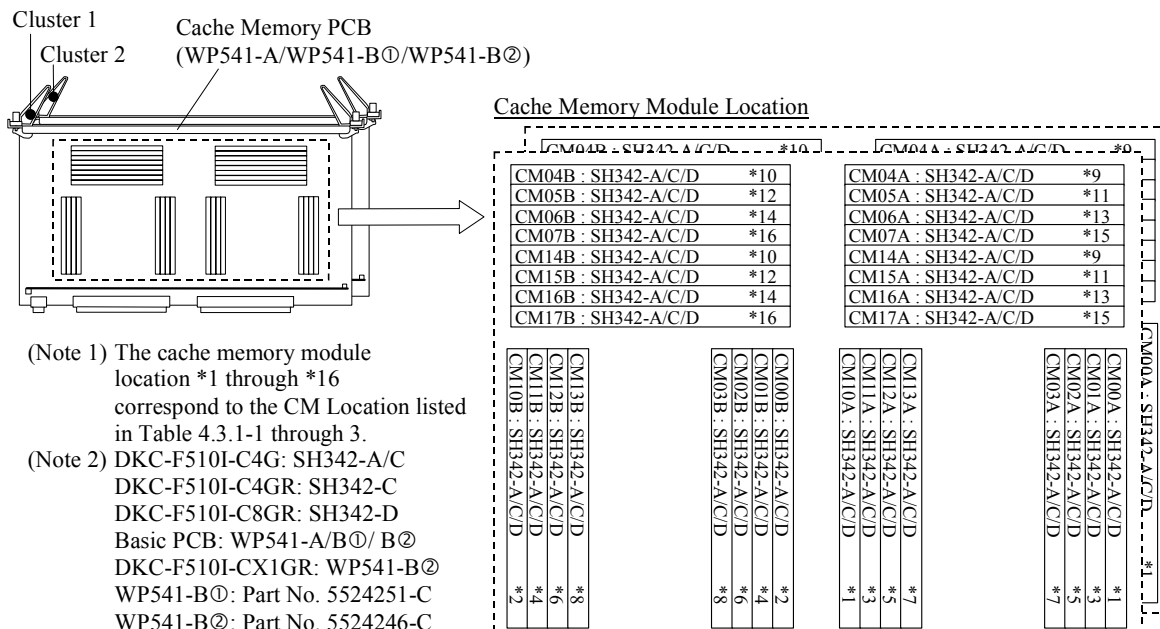
Fig. 4.2.2-2 Shared Memory Module Location (RoHS applied)

4.3 Cache Memory Module Location

4.3.1 RoHS not Applied

Note: DKC-F510I-C8GR can be installed on the Cache Memory PCB of DKC-F510I-CX1GR. It cannot be installed on the Cache Memory PCB of Basic PCB and DKC-F510I-CX/CXR.

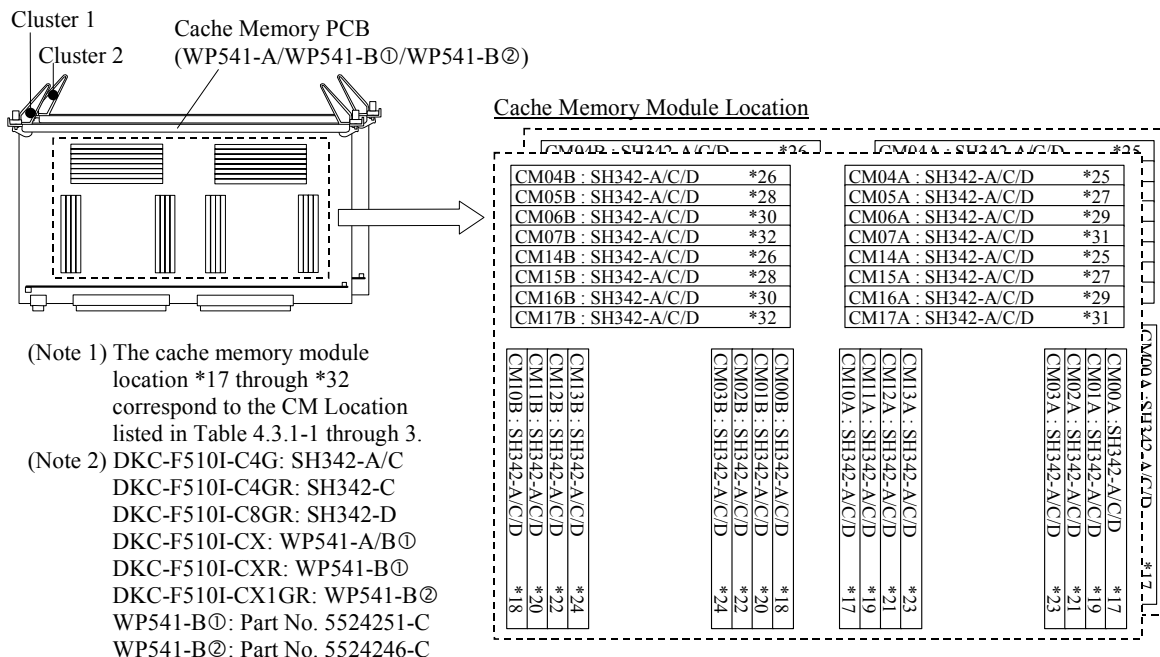
1. Standard Cache Memory PCB (Basic PCB or DKC-F510I-CX1GR)



- (Note 1) The cache memory module location *1 through *16 correspond to the CM Location listed in Table 4.3.1-1 through 3.
- (Note 2) DKC-F510I-C4G: SH342-A/C
 DKC-F510I-C4GR: SH342-C
 DKC-F510I-C8GR: SH342-D
 Basic PCB: WP541-A/B⓪/ Bⓑ
 DKC-F510I-CX1GR: WP541-Bⓑ
 WP541-B⓪: Part No. 5524251-C
 WP541-Bⓑ: Part No. 5524246-C

Fig. 4.3.1-1 Cache Memory Module Location (RoHS not applied)

2. Additional Cache Memory PCB (DKC-F510I-CX/CXR/CX1GR)



- (Note 1) The cache memory module location *17 through *32 correspond to the CM Location listed in Table 4.3.1-1 through 3.
- (Note 2) DKC-F510I-C4G: SH342-A/C
 DKC-F510I-C4GR: SH342-C
 DKC-F510I-C8GR: SH342-D
 DKC-F510I-CX: WP541-A/B⓪
 DKC-F510I-CXR: WP541-Bⓑ
 DKC-F510I-CX1GR: WP541-Bⓑ
 WP541-B⓪: Part No. 5524251-C
 WP541-Bⓑ: Part No. 5524246-C

Fig. 4.3.1-2 Cache Memory Module Location (RoHS not applied)

Table 4.3.1-1 Cache memory capacity and number of necessary options
(RoHS not applied, Standard Cache Access Model ①)

Cache Memory Capacity	Number of options (Standard Cache Access Model)										
	Using DKC-F510I-C4G/C4GR					Using DKC-F510I-C8GR					DKC- F510I -AP/ APR
	Cache PCB		CM Location (Note 1)	DKC- F510I -C4G/ C4GR	DKC- F510I -AB/ ABR	Cache PCB		CM Location (Note 1)	DKC- F510I -C8GR	DKC- F510I -AB/ ABR	
	Basic Slot	Add. Slot				Basic Slot	Add. Slot				
Basic PCB	CX/CXR /CX1GR	CX1GR				CX1GR					
4GB	(Note 2)	—	*1	1	0	—	—	—	—	—	0
8GB	(Note 2)	—	*2	2	0	1	—	*1	1	0	0
12GB	(Note 2)	—	*3	3	0	—	—	—	—	—	0
16GB	(Note 2)	—	*4	4	0	1	—	*2	2	0	0
20GB	(Note 2)	—	*5	5	0	—	—	—	—	—	0
24GB	(Note 2)	—	*6	6	0	1	—	*3	3	0	0
28GB	(Note 2)	—	*7	7	0	—	—	—	—	—	0
32GB	(Note 2)	—	*8	8	0	1	—	*4	4	0	0
36GB	(Note 2)	—	*9	9	0	—	—	—	—	—	0
40GB	(Note 2)	—	*10	10	0	1	—	*5	5	0	0
44GB	(Note 2)	—	*11	11	0	—	—	—	—	—	0
48GB	(Note 2)	—	*12	12	0	1	—	*6	6	0	0
52GB	(Note 2)	—	*13	13	0	—	—	—	—	—	0
56GB	(Note 2)	—	*14	14	0	1	—	*7	7	0	0
60GB	(Note 2)	—	*15	15	0	—	—	—	—	—	0
64GB	(Note 2)	—	*16	16	0	1	—	*8	8	0	0
68GB	(Note 2)	1	*17	17	2	—	—	—	—	—	1
72GB	(Note 2)	1	*18	18	2	1	—	*9	9	1	1
76GB	(Note 2)	1	*19	19	2	—	—	—	—	—	1
80GB	(Note 2)	1	*20	20	2	1	—	*10	10	1	1
84GB	(Note 2)	1	*21	21	2	—	—	—	—	—	1
88GB	(Note 2)	1	*22	22	2	1	—	*11	11	1	1
92GB	(Note 2)	1	*23	23	2	—	—	—	—	—	1
96GB	(Note 2)	1	*24	24	2	1	—	*12	12	1	1
100GB	(Note 2)	1	*25	25	2	—	—	—	—	—	1
104GB	(Note 2)	1	*26	26	2	1	—	*13	13	1	1
108GB	(Note 2)	1	*27	27	2	—	—	—	—	—	1
112GB	(Note 2)	1	*28	28	2	1	—	*14	14	1	1
116GB	(Note 2)	1	*29	29	2	—	—	—	—	—	1
120GB	(Note 2)	1	*30	30	2	1	—	*15	15	1	1
124GB	(Note 2)	1	*31	31	2	—	—	—	—	—	1
128GB	(Note 2)	1	*32	32	2	1	—	*16	16	1	1
136GB	—	—	—	—	—	1	1	*17	17	2	1
144GB	—	—	—	—	—	1	1	*18	18	2	1
152GB	—	—	—	—	—	1	1	*19	19	2	1
160GB	—	—	—	—	—	1	1	*20	20	2	1

(To be continued)

(Continued from the preceding page)

Cache Memory Capacity	Number of options (Standard Cache Access Model)										
	Using DKC-F510I-C4G/C4GR					Using DKC-F510I-C8GR					DKC- F510I -AP/ APR
	Cache PCB		CM Location (Note 1)	DKC- F510I -C4G/ C4GR	DKC- F510I -AB/ ABR	Cache PCB		CM Location (Note 1)	DKC- F510I -C8GR	DKC- F510I -AB/ ABR	
	Basic Slot	Add. Slot				Basic Slot	Add. Slot				
Basic PCB	CX/CXR /CX1GR	CX1GR				CX1GR					
168GB	—	—	—	—	—	1	1	*21	21	2	1
176GB	—	—	—	—	—	1	1	*22	22	2	1
184GB	—	—	—	—	—	1	1	*23	23	2	1
192GB	—	—	—	—	—	1	1	*24	24	2	1
200GB	—	—	—	—	—	1	1	*25	25	2	1
208GB	—	—	—	—	—	1	1	*26	26	2	1
216GB	—	—	—	—	—	1	1	*27	27	2	1
224GB	—	—	—	—	—	1	1	*28	28	2	1
232GB	—	—	—	—	—	1	1	*29	29	2	1
240GB	—	—	—	—	—	1	1	*30	30	2	1
248GB	—	—	—	—	—	1	1	*31	31	2	1
256GB	—	—	—	—	—	1	1	*32	32	2	1

Note 1: The above numbers (*1 through *32) represent the Cache Memory Module locations shown in Fig 4.3.1-1 and Fig 4.3.1-2.

Note 2: The WP541-A, WP541-B (Part No. 5524251-C) or WP541-B (Part No. 5524246-C) is installed in the basic slot.

Note 3: A cache memory can't be set up in the ' - ' mark.

Table 4.3.1-2 Cache memory capacity and number of necessary options
(RoHS not applied, Standard Cache Access Model ②)

Cache Memory Capacity	Number of options (Standard Cache Access Model)						
	DKC-F510I-C4G/C4GR and DKC-F510I-C8GR intermix						DKC-F510I -AP/APR
	Cache PCB				CM Location (Note 1)	DKC-F510I -AB/ABR	
	Basic Slot		Add. Slot				
Basic PCB	C4G/C4GR	CX1GR	C8GR				
4GB	(Note 2)	1	—	0	*1	0	0
8GB	(Note 2)	2	—	0	*2	0	0
12GB	(Note 2)	3	—	0	*3	0	0
16GB	(Note 2)	4	—	0	*4	0	0
20GB	(Note 2)	5	—	0	*5	0	0
24GB	(Note 2)	6	—	0	*6	0	0
28GB	(Note 2)	7	—	0	*7	0	0
32GB	(Note 2)	8	—	0	*8	0	0
36GB	(Note 2)	9	—	0	*9	0	0
40GB	(Note 2)	10	—	0	*10	0	0
44GB	(Note 2)	11	—	0	*11	0	0
48GB	(Note 2)	12	—	0	*12	0	0
52GB	(Note 2)	13	—	0	*13	0	0
56GB	(Note 2)	14	—	0	*14	0	0
60GB	(Note 2)	15	—	0	*15	0	0
64GB	(Note 2)	16	—	0	*16	0	0
72GB	(Note 2)	16	1	1	*17	2	1
80GB	(Note 2)	16	1	2	*18	2	1
88GB	(Note 2)	16	1	3	*19	2	1
96GB	(Note 2)	16	1	4	*20	2	1
104GB	(Note 2)	16	1	5	*21	2	1
112GB	(Note 2)	16	1	6	*22	2	1
120GB	(Note 2)	16	1	7	*23	2	1
128GB	(Note 2)	16	1	8	*24	2	1
136GB	(Note 2)	16	1	9	*25	2	1
144GB	(Note 2)	16	1	10	*26	2	1
152GB	(Note 2)	16	1	11	*27	2	1
160GB	(Note 2)	16	1	12	*28	2	1
168GB	(Note 2)	16	1	13	*29	2	1
176GB	(Note 2)	16	1	14	*30	2	1
184GB	(Note 2)	16	1	15	*31	2	1
192GB	(Note 2)	16	1	16	*32	2	1

Note 1: The above numbers (*1 through *32) represent the Cache Memory Module locations shown in Fig 4.3.1-1 and Fig 4.3.1-2.

Note 2: The WP541-A, WP541-B (Part No. 5524251-C) or WP541-B (Part No. 5524246-C) is installed in the basic slot.

Note 3: A cache memory can't be set up in the ' - ' mark.

Table 4.3.1-3 Cache memory capacity and number of necessary options
(RoHS not applied, High Performance Cache Access Model)

Cache Memory Capacity	Number of options (High Performance Cache Access Model)										
	Using DKC-F510I-C4G/C4GR					Using DKC-F510I-C8GR					DKC-F510I -AP/ APR
	Cache PCB		CM Location (Note 1)	DKC-F510I -C4G/ C4GR	DKC-F510I -AB/ ABR	Cache PCB		CM Location (Note 1)	DKC-F510I -C8GR	DKC-F510I -AB/ ABR	
	Basic Slot	Add. Slot				Basic Slot	Add. Slot				
Basic PCB	CX/CXR /CX1GR	CX1GR				CX1GR					
8GB	(Note 2)	1	*1, *17	2	1	—	—	—	—	—	0
16GB	(Note 2)	1	*2, *18	4	1	1	1	*1, *17	2	1	0
24GB	(Note 2)	1	*3, *19	6	1	—	—	—	—	—	0
32GB	(Note 2)	1	*4, *20	8	1	1	1	*2, *18	4	1	0
40GB	(Note 2)	1	*5, *21	10	1	—	—	—	—	—	0
48GB	(Note 2)	1	*6, *22	12	1	1	1	*3, *19	6	1	0
56GB	(Note 2)	1	*7, *23	14	1	—	—	—	—	—	0
64GB	(Note 2)	1	*8, *24	16	1	1	1	*4, *20	8	1	0
72GB	(Note 2)	1	*9, *25	18	2	—	—	—	—	—	1
80GB	(Note 2)	1	*10, *26	20	2	1	1	*5, *21	10	2	1
88GB	(Note 2)	1	*11, *27	22	2	—	—	—	—	—	1
96GB	(Note 2)	1	*12, *28	24	2	1	1	*6, *22	12	2	1
104GB	(Note 2)	1	*13, *29	26	2	—	—	—	—	—	1
112GB	(Note 2)	1	*14, *30	28	2	1	1	*7, *23	14	2	1
120GB	(Note 2)	1	*15, *31	30	2	—	—	—	—	—	1
128GB	(Note 2)	1	*16, *32	32	2	1	1	*8, *24	16	2	1
144GB	—	—	—	—	—	1	1	*9, *25	18	2	1
160GB	—	—	—	—	—	1	1	*10, *26	20	2	1
176GB	—	—	—	—	—	1	1	*11, *27	22	2	1
192GB	—	—	—	—	—	1	1	*12, *28	24	2	1
208GB	—	—	—	—	—	1	1	*13, *29	26	2	1
224GB	—	—	—	—	—	1	1	*14, *30	28	2	1
240GB	—	—	—	—	—	1	1	*15, *31	30	2	1
256GB	—	—	—	—	—	1	1	*16, *32	32	2	1

Note 1: The above numbers (*1 through *32) represent the Cache Memory Module locations shown in Fig 4.3.1-1 and Fig 4.3.1-2.

Note 2: The WP541-A, WP541-B (Part No. 5524251-C) or WP541-B (Part No. 5524246-C) is installed in the basic slot.

Note 3: A cache memory can't be set up in the ' - ' mark.

High performance model is effective when the cache memory is installed 16GB or more, and recommend the addition of 16GB.

4.3.2 RoHS Applied

Note: DKC-F510I-C8GR can be installed on the Cache Memory PCB of Basic PCB and DKC-F510I-CX1GR. It cannot be installed on the Cache Memory PCB of DKC-F510I-CXR.

1. Standard Cache Memory PCB (Basic PCB)

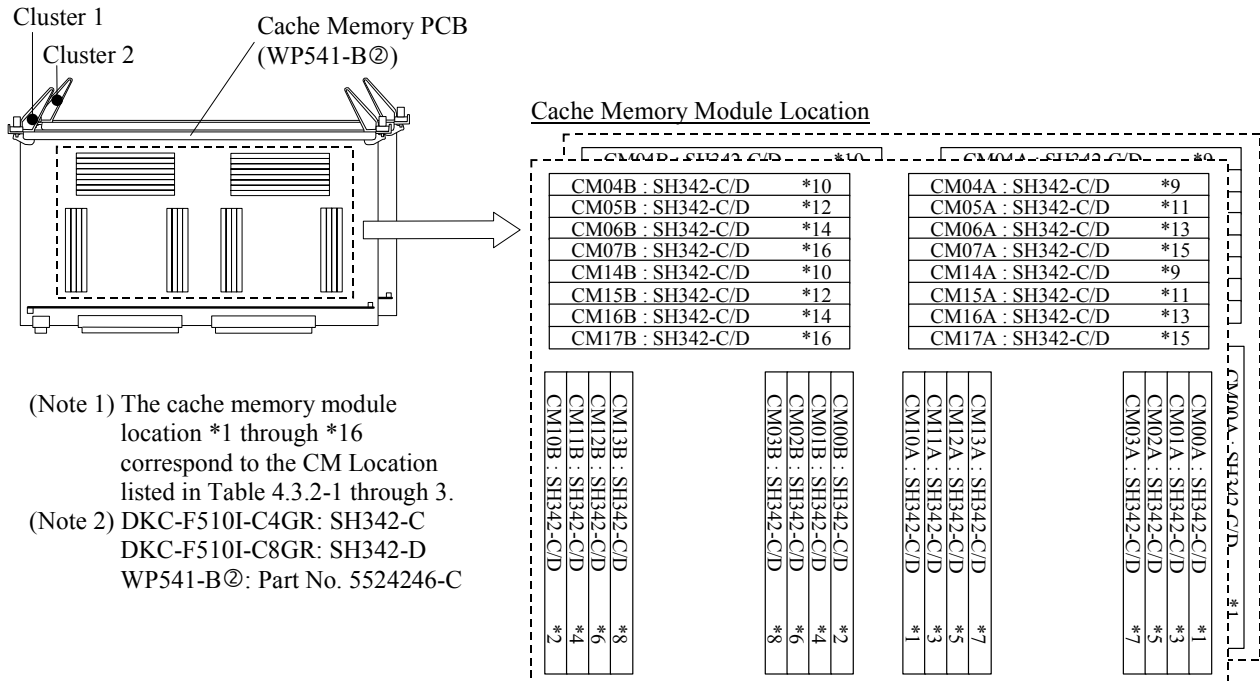


Fig. 4.3.2-1 Cache Memory Module Location(RoHS applied)

2. Additional Cache Memory PCB (DKC-F510I-CXR/CX1GR)

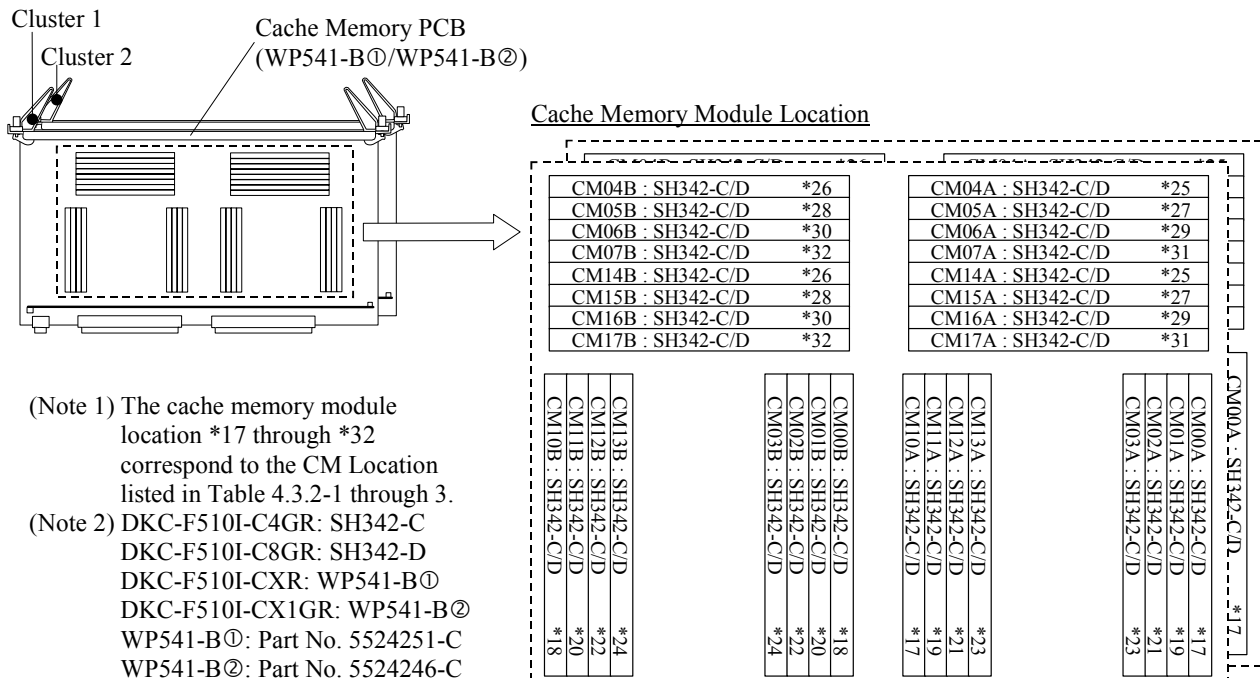


Fig. 4.3.2-2 Cache Memory Module Location (RoHS applied)

Table 4.3.2-1 Cache memory capacity and number of necessary options
(RoHS applied, Standard Cache Access Model ①)

Cache Memory Capacity	Number of options										DKC-F510I -APR
	Using DKC-F510I-C4GR					Using DKC-F510I-C8GR					
	Cache PCB		CM Location (Note 1)	DKC-F510I -C4GR	DKC-F510I -ABR	Cache PCB		CM Location (Note 1)	DKC-F510I -C8GR	DKC-F510I -ABR	
	Basic Slot	Add. Slot				Basic Slot	Add. Slot				
Basic PCB	CXR/CX1GR				Basic PCB	CX1GR					
4GB	(Note 2)	—	*1	1	0	—	—	—	—	—	0
8GB	(Note 2)	—	*2	2	0	(Note 2)	—	*1	1	0	0
12GB	(Note 2)	—	*3	3	0	—	—	—	—	—	0
16GB	(Note 2)	—	*4	4	0	(Note 2)	—	*2	2	0	0
20GB	(Note 2)	—	*5	5	0	—	—	—	—	—	0
24GB	(Note 2)	—	*6	6	0	(Note 2)	—	*3	3	0	0
28GB	(Note 2)	—	*7	7	0	—	—	—	—	—	0
32GB	(Note 2)	—	*8	8	0	(Note 2)	—	*4	4	0	0
36GB	(Note 2)	—	*9	9	0	—	—	—	—	—	0
40GB	(Note 2)	—	*10	10	0	(Note 2)	—	*5	5	0	0
44GB	(Note 2)	—	*11	11	0	—	—	—	—	—	0
48GB	(Note 2)	—	*12	12	0	(Note 2)	—	*6	6	0	0
52GB	(Note 2)	—	*13	13	0	—	—	—	—	—	0
56GB	(Note 2)	—	*14	14	0	(Note 2)	—	*7	7	0	0
60GB	(Note 2)	—	*15	15	0	—	—	—	—	—	0
64GB	(Note 2)	—	*16	16	0	(Note 2)	—	*8	8	0	0
68GB	(Note 2)	1	*17	17	2	—	—	—	—	—	1
72GB	(Note 2)	1	*18	18	2	(Note 2)	—	*9	9	1	1
76GB	(Note 2)	1	*19	19	2	—	—	—	—	—	1
80GB	(Note 2)	1	*20	20	2	(Note 2)	—	*10	10	1	1
84GB	(Note 2)	1	*21	21	2	—	—	—	—	—	1
88GB	(Note 2)	1	*22	22	2	(Note 2)	—	*11	11	1	1
92GB	(Note 2)	1	*23	23	2	—	—	—	—	—	1
96GB	(Note 2)	1	*24	24	2	(Note 2)	—	*12	12	1	1
100GB	(Note 2)	1	*25	25	2	—	—	—	—	—	1
104GB	(Note 2)	1	*26	26	2	(Note 2)	—	*13	13	1	1
108GB	(Note 2)	1	*27	27	2	—	—	—	—	—	1
112GB	(Note 2)	1	*28	28	2	(Note 2)	—	*14	14	1	1
116GB	(Note 2)	1	*29	29	2	—	—	—	—	—	1
120GB	(Note 2)	1	*30	30	2	(Note 2)	—	*15	15	1	1
124GB	(Note 2)	1	*31	31	2	—	—	—	—	—	1
128GB	(Note 2)	1	*32	32	2	(Note 2)	—	*16	16	1	1
136GB	—	—	—	—	—	(Note 2)	1	*17	17	2	1
144GB	—	—	—	—	—	(Note 2)	1	*18	18	2	1
152GB	—	—	—	—	—	(Note 2)	1	*19	19	2	1
160GB	—	—	—	—	—	(Note 2)	1	*20	20	2	1

(To be continued)

(Continued from the preceding page)

Cache Memory Capacity	Number of options Number of options (Standard Cache Access Model)										
	Using DKC-F510I-C4GR					Using DKC-F510I-C8GR					DKC- F510I -APR
	Cache PCB		CM Location (Note 1)	DKC- F510I -C4GR	DKC- F510I -ABR	Cache PCB		CM Location (Note 1)	DKC- F510I -C8GR	DKC- F510I -ABR	
	Basic Slot	Add. Slot				Basic Slot	Add. Slot				
Basic PCB	CXR/ CX1GR	Basic PCB				CX1GR					
168GB	—	—	—	—	—	(Note 2)	1	*21	21	2	1
176GB	—	—	—	—	—	(Note 2)	1	*22	22	2	1
184GB	—	—	—	—	—	(Note 2)	1	*23	23	2	1
192GB	—	—	—	—	—	(Note 2)	1	*24	24	2	1
200GB	—	—	—	—	—	(Note 2)	1	*25	25	2	1
208GB	—	—	—	—	—	(Note 2)	1	*26	26	2	1
216GB	—	—	—	—	—	(Note 2)	1	*27	27	2	1
224GB	—	—	—	—	—	(Note 2)	1	*28	28	2	1
232GB	—	—	—	—	—	(Note 2)	1	*29	29	2	1
240GB	—	—	—	—	—	(Note 2)	1	*30	30	2	1
248GB	—	—	—	—	—	(Note 2)	1	*31	31	2	1
256GB	—	—	—	—	—	(Note 2)	1	*32	32	2	1

Note 1: The above numbers (*1 through *32) represent the Cache Memory Module locations shown in Fig 4.3.2-1 and Fig 4.3.2-2.

Note 2: The WP541-B (Part No. 5524246-C) is installed in the basic slot.

Note 3: A cache memory can't be set up in the ' - ' mark.

Table 4.3.2-2 Cache memory capacity and number of necessary options
(RoHS applied, Standard Cache Access Model ②)

Cache Memory Capacity	Number of options Number of options (Standard Cache Access Model)						
	DKC-F510I-C4GR and DKC-F510I-C8GR intermix						
	Cache PCB				CM Location (Note 1)	DKC-F510I -ABR	DKC-F510I -APR
	Basic Slot		Add. Slot				
Basic PCB	C8GR	CXR/ CX1GR	C4GR				
8GB	(Note 2)	1	—	0	*1	0	0
16GB	(Note 2)	2	—	0	*2	0	0
24GB	(Note 2)	3	—	0	*3	0	0
32GB	(Note 2)	4	—	0	*4	0	0
40GB	(Note 2)	5	—	0	*5	0	0
48GB	(Note 2)	6	—	0	*6	0	0
56GB	(Note 2)	7	—	0	*7	0	0
64GB	(Note 2)	8	—	0	*8	0	0
72GB	(Note 2)	9	—	0	*9	1	1
80GB	(Note 2)	10	—	0	*10	1	1
88GB	(Note 2)	11	—	0	*11	1	1
96GB	(Note 2)	12	—	0	*12	1	1
104GB	(Note 2)	13	—	0	*13	1	1
112GB	(Note 2)	14	—	0	*14	1	1
120GB	(Note 2)	15	—	0	*15	1	1
128GB	(Note 2)	16	—	0	*16	1	1
132GB	(Note 2)	16	1	1	*17	2	1
136GB	(Note 2)	16	1	2	*18	2	1
140GB	(Note 2)	16	1	3	*19	2	1
144GB	(Note 2)	16	1	4	*20	2	1
148GB	(Note 2)	16	1	5	*21	2	1
152GB	(Note 2)	16	1	6	*22	2	1
156GB	(Note 2)	16	1	7	*23	2	1
160GB	(Note 2)	16	1	8	*24	2	1
164GB	(Note 2)	16	1	9	*25	2	1
168GB	(Note 2)	16	1	10	*26	2	1
172GB	(Note 2)	16	1	11	*27	2	1
176GB	(Note 2)	16	1	12	*28	2	1
180GB	(Note 2)	16	1	13	*29	2	1
184GB	(Note 2)	16	1	14	*30	2	1
188GB	(Note 2)	16	1	15	*31	2	1
192GB	(Note 2)	16	1	16	*32	2	1

Note 1: The above numbers (*1 through *32) represent the Cache Memory Module locations shown in Fig 4.3.2-1 and Fig 4.3.2-2.

Note 2: The WP541-B (Part No. 5524246-C) is installed in the basic slot.

Note 3: A cache memory can't be set up in the ' - ' mark.

Table 4.3.2-3 Cache memory capacity and number of necessary options
(RoHS applied, High Performance Cache Access Model)

Cache Memory Capacity	Number of options Number of options (High Performance Cache Access Model)										
	Using DKC-F510I-C4GR					Using DKC-F510I-C8GR					DKC-F510I -APR
	Cache PCB		CM Location (Note 1)	DKC-F510I -C4GR	DKC-F510I -ABR	Cache PCB		CM Location (Note 1)	DKC-F510I -C8GR	DKC-F510I -ABR	
	Basic Slot	Add. Slot				Basic Slot	Add. Slot				
Basic PCB	CXR/ CX1GR				Basic PCB	CX1GR					
8GB	(Note 2)	1	*1, *17	2	1	—	—	—	—	—	0
16GB	(Note 2)	1	*2, *18	4	1	(Note 2)	1	*1, *17	2	1	0
24GB	(Note 2)	1	*3, *19	6	1	—	—	—	—	—	0
32GB	(Note 2)	1	*4, *20	8	1	(Note 2)	1	*2, *18	4	1	0
40GB	(Note 2)	1	*5, *21	10	1	—	—	—	—	—	0
48GB	(Note 2)	1	*6, *22	12	1	(Note 2)	1	*3, *19	6	1	0
56GB	(Note 2)	1	*7, *23	14	1	—	—	—	—	—	0
64GB	(Note 2)	1	*8, *24	16	1	(Note 2)	1	*4, *20	8	1	0
72GB	(Note 2)	1	*9, *25	18	2	—	—	—	—	—	1
80GB	(Note 2)	1	*10, *26	20	2	(Note 2)	1	*5, *21	10	2	1
88GB	(Note 2)	1	*11, *27	22	2	—	—	—	—	—	1
96GB	(Note 2)	1	*12, *28	24	2	(Note 2)	1	*6, *22	12	2	1
104GB	(Note 2)	1	*13, *29	26	2	—	—	—	—	—	1
112GB	(Note 2)	1	*14, *30	28	2	(Note 2)	1	*7, *23	14	2	1
120GB	(Note 2)	1	*15, *31	30	2	—	—	—	—	—	1
128GB	(Note 2)	1	*16, *32	32	2	(Note 2)	1	*8, *24	16	2	1
144GB	—	—	—	—	—	(Note 2)	1	*9, *25	18	2	1
160GB	—	—	—	—	—	(Note 2)	1	*10, *26	20	2	1
176GB	—	—	—	—	—	(Note 2)	1	*11, *27	22	2	1
192GB	—	—	—	—	—	(Note 2)	1	*12, *28	24	2	1
208GB	—	—	—	—	—	(Note 2)	1	*13, *29	26	2	1
224GB	—	—	—	—	—	(Note 2)	1	*14, *30	28	2	1
240GB	—	—	—	—	—	(Note 2)	1	*15, *31	30	2	1
256GB	—	—	—	—	—	(Note 2)	1	*16, *32	32	2	1

Note 1: The above numbers (*1 through *32) represent the Cache Memory Module locations shown in Fig 4.3.2-1 and Fig 4.3.2-2.

Note 2: The WP541-B (Part No. 5524246-C) is installed in the basic slot.

Note 3: A cache memory can't be set up in the ' - ' mark.

High performance model is effective when the cache memory is installed 16GB or more, and recommend the addition of 16GB.

4.4 Parts List

PARTS LIST 3 (Parts listed below are shown in Fig. 4.1.1-1 through 4.3.2-2.)

ITEM NO.	PART NUMBER	RoHS	PART NAME	QUANTITY PER DKC	REMARKS
10-1	5524263-A	Not applied	Serial 8-port CHA ASSY (WP512-A × 1 & SH343-A × 4)	2-16	SP
	5524263-C	Applied	Serial 8-port CHA ASSY (WP512-B × 1 & SH343-B × 4)		
2	5524261-C	Applied	MF Fibre 8-port CHA ASSY (Short wave 1-2Gbps) (WP514-C × 1 & SH343-B × 4)	2-16	SP
3	5524262-C	Applied	MF Fibre 8-port CHA ASSY (Long wave 1-2Gbps) (WP514-D × 1 & SH343-B × 4)	2-16	SP
4	5524259-A	Not applied	MF Fibre 4-port CHA ASSY (Short wave 1-2Gbps) (WP515-A × 1 & SH343-A × 4)	2-16	SP
	5524259-C	Applied	MF Fibre 4-port CHA ASSY (Short wave 1-2Gbps) (WP515-C × 1 & SH343-B × 4)		
5	5524260-A	Not applied	MF Fibre 4-port CHA ASSY (Long wave 1-2Gbps) (WP515-B × 1 & SH343-A × 4)	2-16	SP
	5524260-C	Applied	MF Fibre 4-port CHA ASSY (Long wave 1-2Gbps) (WP515-D × 1 & SH343-B × 4)		
6	5524281-C	Applied	Fibre 4-port CHA ASSY (Short wave 1-2Gbps) (WP513-E × 1 & SH343-A × 2)	2-16	SP
7	5524257-A	Not applied	Fibre 8-port CHA ASSY (Short wave 1-2Gbps) (WP513-A × 1 & SH343-A × 2)	2-16	SP
	5524257-C	Applied	Fibre 8-port CHA ASSY (Short wave 1-2Gbps) (WP513-C × 1 & SH343-B × 2)		
8	5524258-A	Not applied	Fibre 16-port CHA ASSY (Short wave 1-2Gbps) (WP513-B × 1 & SH343-A × 4)	2-16	SP
	5524258-C	Applied	Fibre 16-port CHA ASSY (Short wave 1-2Gbps) (WP513-D × 1 & SH343-B × 4)		
9	5524264-A	Not applied	NAS 4-port CHA ASSY (WP517-A × 1 & SH343-A × 1)	2-16	SP
	5524264-C	Applied	NAS 4-port CHA ASSY (WP517-C × 1 & SH343-B × 1)		

(To be continued.)

(Continued from preceding sheet.)

ITEM NO.	PART NUMBER	RoHS	PART NAME	QUANTITY PER DKC	REMARKS
10	5524265-C	Applied	iSCSI 4-port CHA ASSY (WP516-B × 1 & SH343-B × 2)	2-16	SP
11	5524255-A	Not applied	DKA ASSY (WP520-A × 1 & SH343-A × 4)	2-8	SP
	5524255-C	Applied	DKA ASSY (WP520-C × 1 & SH343-B × 4)		
12	5524251-A	Not applied	WP541-A P/K ASSY (CACHE)	2-4	SP
	5524251-C	Applied	WP541-B P/K ASSY (CACHE)		
	5524246-C				
13	5524252-A	Not applied	WP551-A P/K ASSY (SM-1)	1-2	SP
	5524252-C	Applied	WP551-B P/K ASSY (SM-1)		
14	5524253-A	Not applied	WP552-A P/K ASSY (SM-2)	1-2	SP
	5524253-C	Applied	WP552-B P/K ASSY (SM-2)		
15	5524249-A	Not applied	WP530-A P/K ASSY (CSW)	2-4	SP
	5524249-C	Applied	WP530-B P/K ASSY (CSW)		
16	5524236-A	Not applied	SH342-A P/K ASSY (CM-DIMM)	4-128	SP
	5524236-C	Applied	SH342-C P/K ASSY (CM-DIMM)		
	5524242-C	Applied	SH342-D P/K ASSY (CM-DIMM)		
17	5524235-A	Not applied	SH341-A P/K ASSY (SM-DIMM)	2-24	SP
	5524235-C	Applied	SH341-C P/K ASSY (SM-DIMM)		
	5524237-C	Applied	SH341-D P/K ASSY (SM-DIMM)		
18	5524238-A	Not applied	SH351-A P/K ASSY (SSVP)	1	SP
	5524238-C	Applied	SH351-B P/K ASSY (SSVP)		
19	5524239-A	Not applied	SH353-A P/K ASSY (DKCMN)	2	SP
	5524239-C	Applied	SH353-B P/K ASSY (DKCMN)		
20	2106364-A	Not applied	SH357-A P/K ASSY (SVP CON)	1	
	2106364-C	Applied	SH357-B P/K ASSY (SVP CON)		
21	5524268-C	Applied	Fibre 16-port CHA ASSY (Short wave 1-4Gbps) (WP518-D × 1 & SH343-B × 4)	2-16	SP
22	5524282-C	Applied	Fibre 4-port CHA ASSY (Short wave 1-4Gbps) (WP518-G × 1 & SH343-B × 2)	2-16	SP
23	5524222-C	Applied	Fibre 8-port CHA ASSY (Short wave 1-4Gbps) (WP518-E × 1 & SH343-B × 2)	2-16	SP
24	5524228-C	Applied	Fibre 16-port CHA ASSY (Short wave 1-4Gbps) (WP518-F × 1 & SH343-B × 4)	2-16	SP

(To be continued.)

(Continued from preceding sheet.)

ITEM NO.	PART NUMBER	RoHS	PART NAME	QUANTITY PER DKC	REMARKS
25	5524248-C	Applied	MF Fibre 8-port CHA ASSY (Short wave 1-4Gbps) (WP514-E × 1 & SH343-B × 4)	2-16	SP
26	5524250-C	Applied	MF Fibre 8-port CHA ASSY (Long wave 1-4Gbps/10km) (WP514-F × 1 & SH343-B × 4)	2-16	SP
27	5535337-C	Applied	MF Fibre 8-port CHA ASSY (Long wave 1-4Gbps/4km) (WP514-H × 1 & SH343-B × 4)	2-16	SP

5. Internal Cabling and Cable Assembly Parts List

5.1 Internal Cabling of DKC

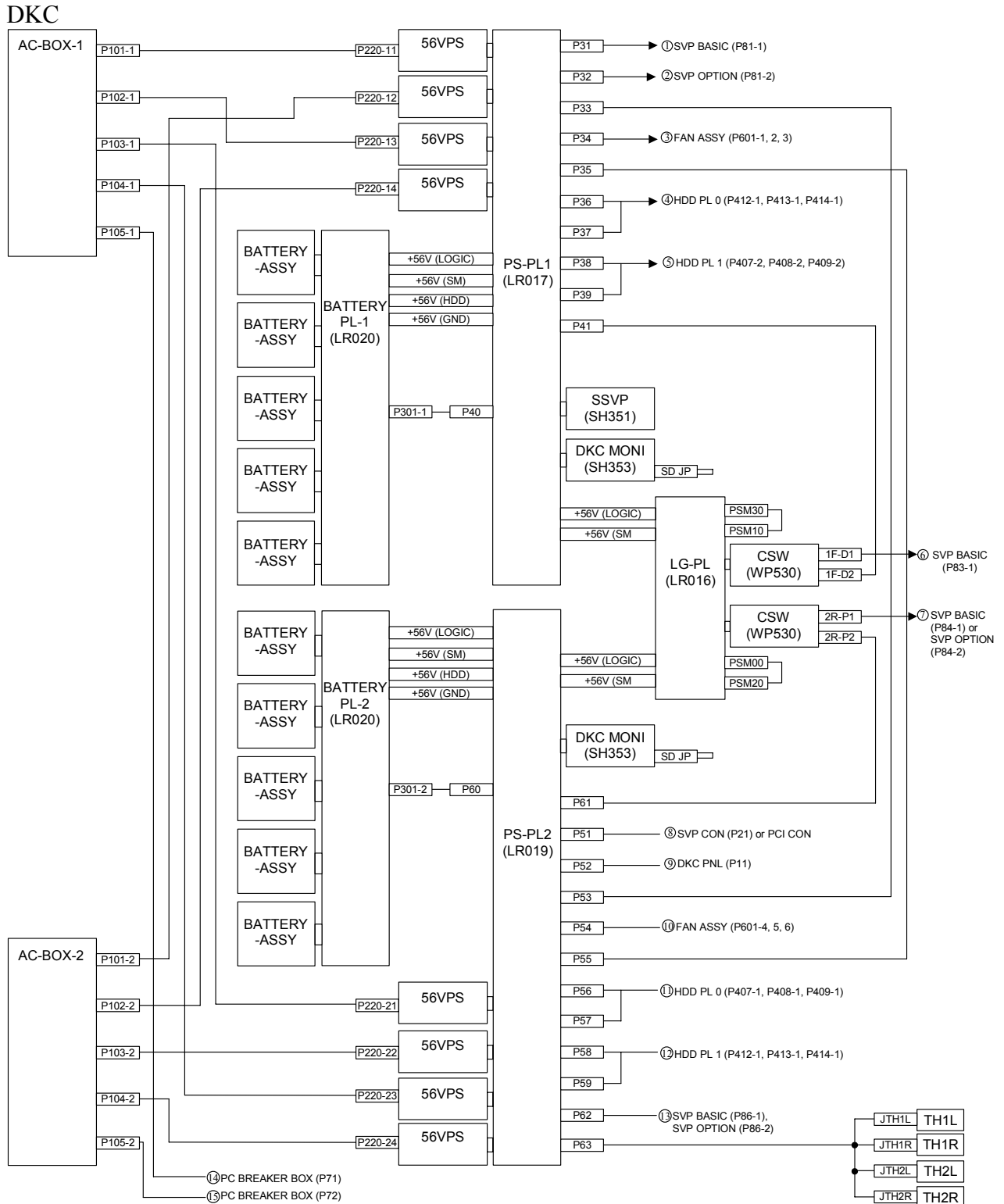


Fig. 5.1-1 DKC Internal Cabling Diagram (1/2)

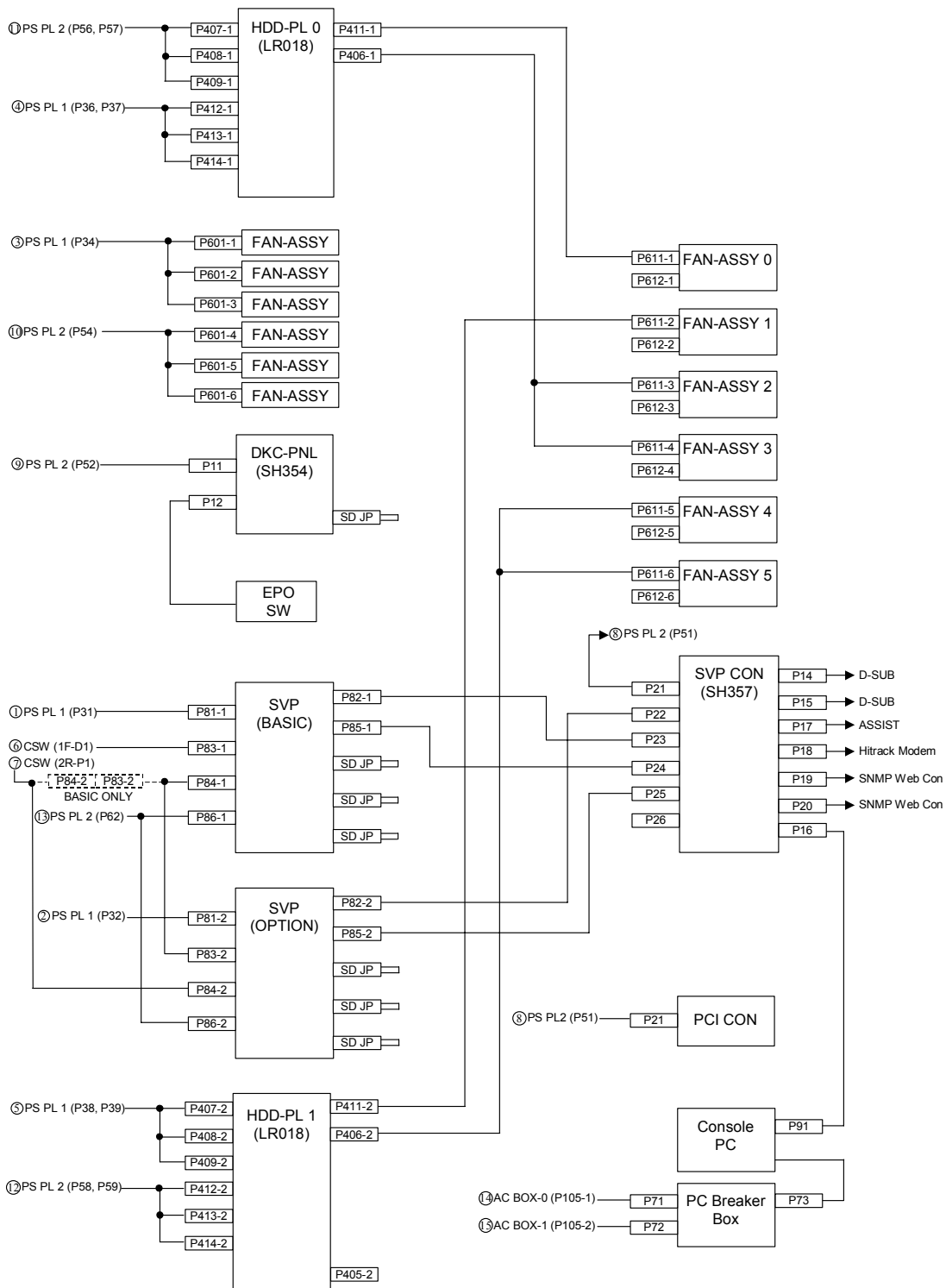


Fig. 5.1-2 DKC Internal Cabling Diagram (2/2)

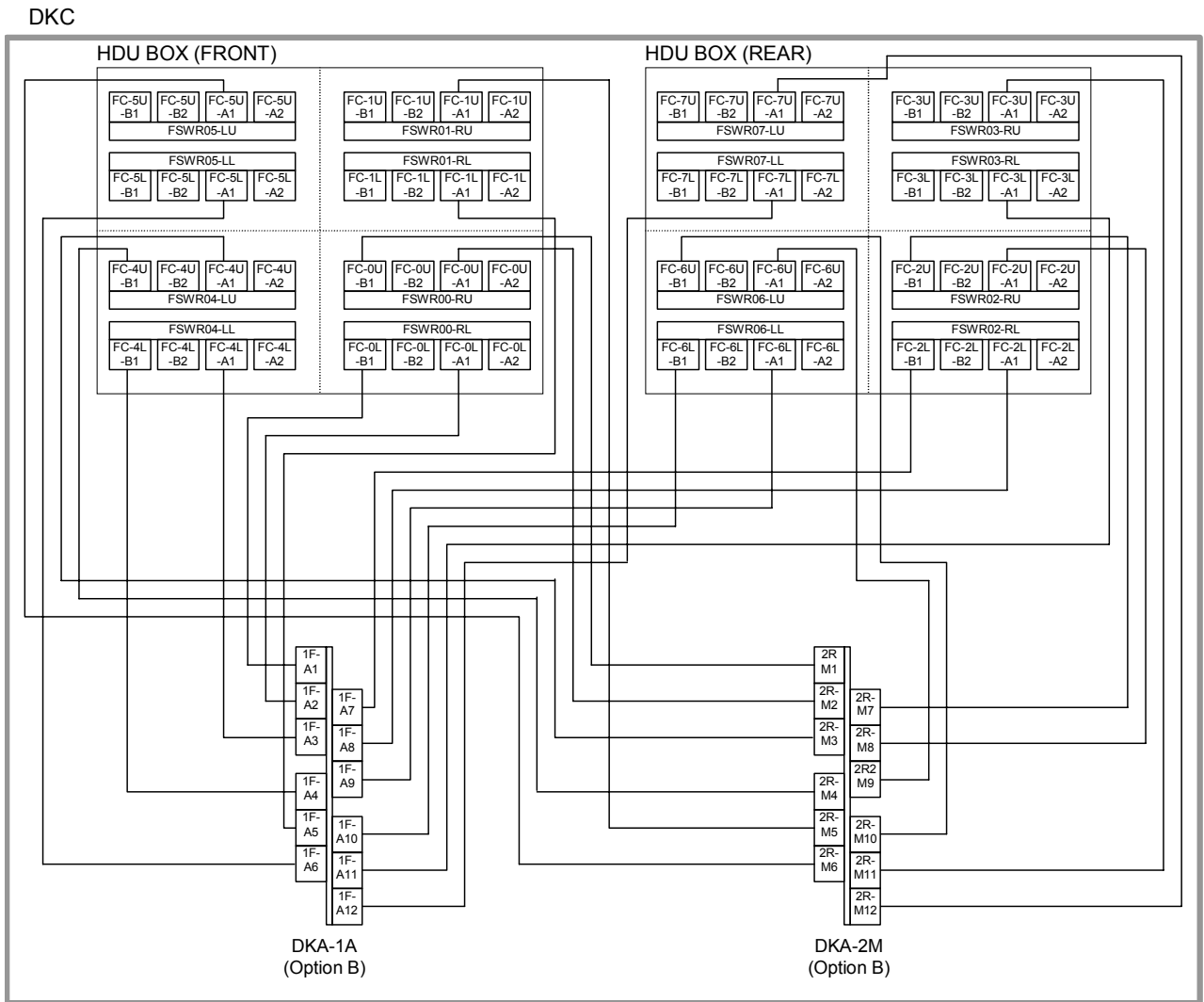


Fig. 5.1-3 DKC Internal Cabling Diagram

5.2 Internal Cabling of DKU

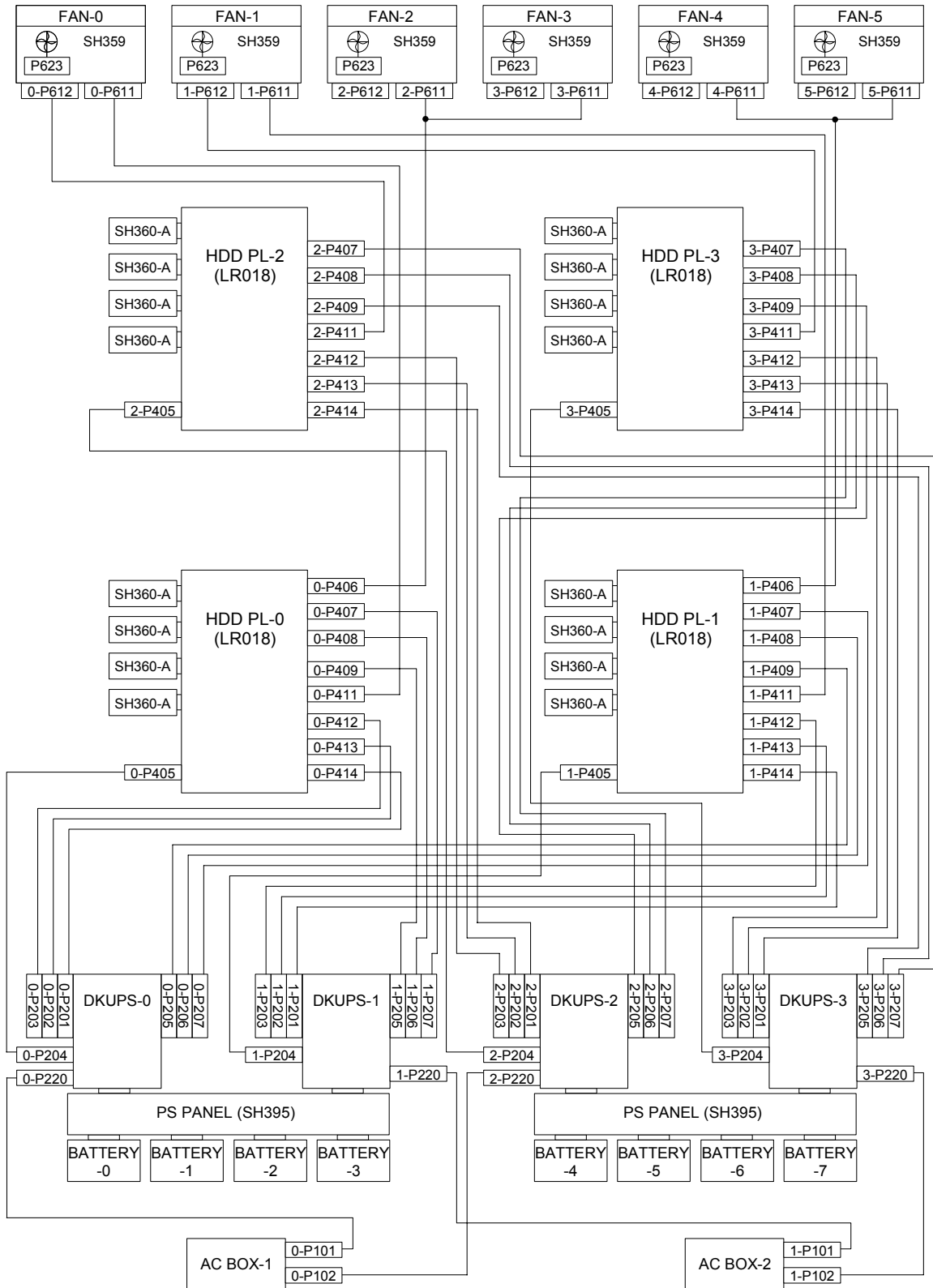


Fig. 5.2-1 DKU Internal Cabling Diagram

5.3 Internal Cabling between DKC and DKU

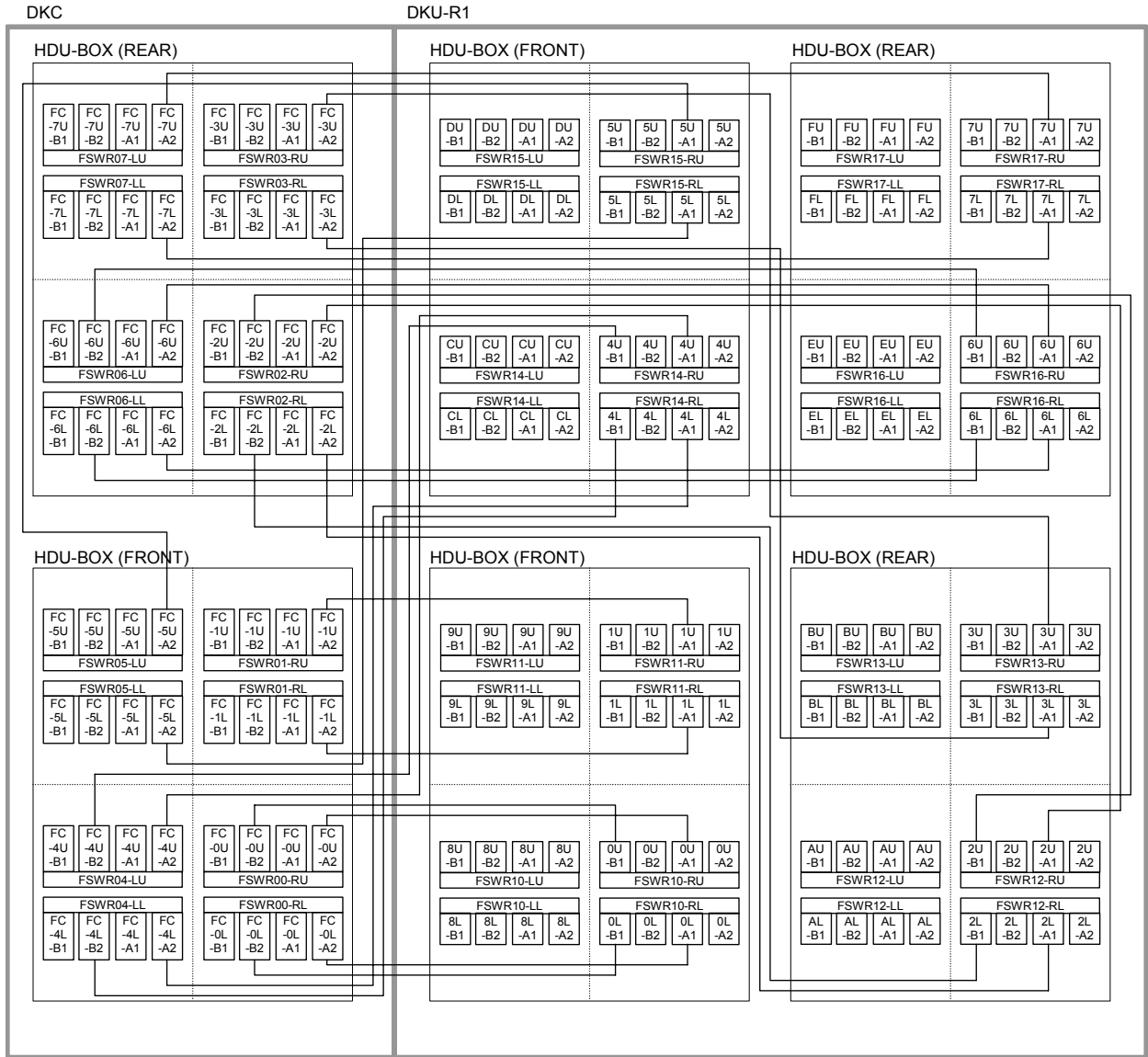


Fig. 5.3-1 Subsystem Internal Cabling Diagram (FR11C)

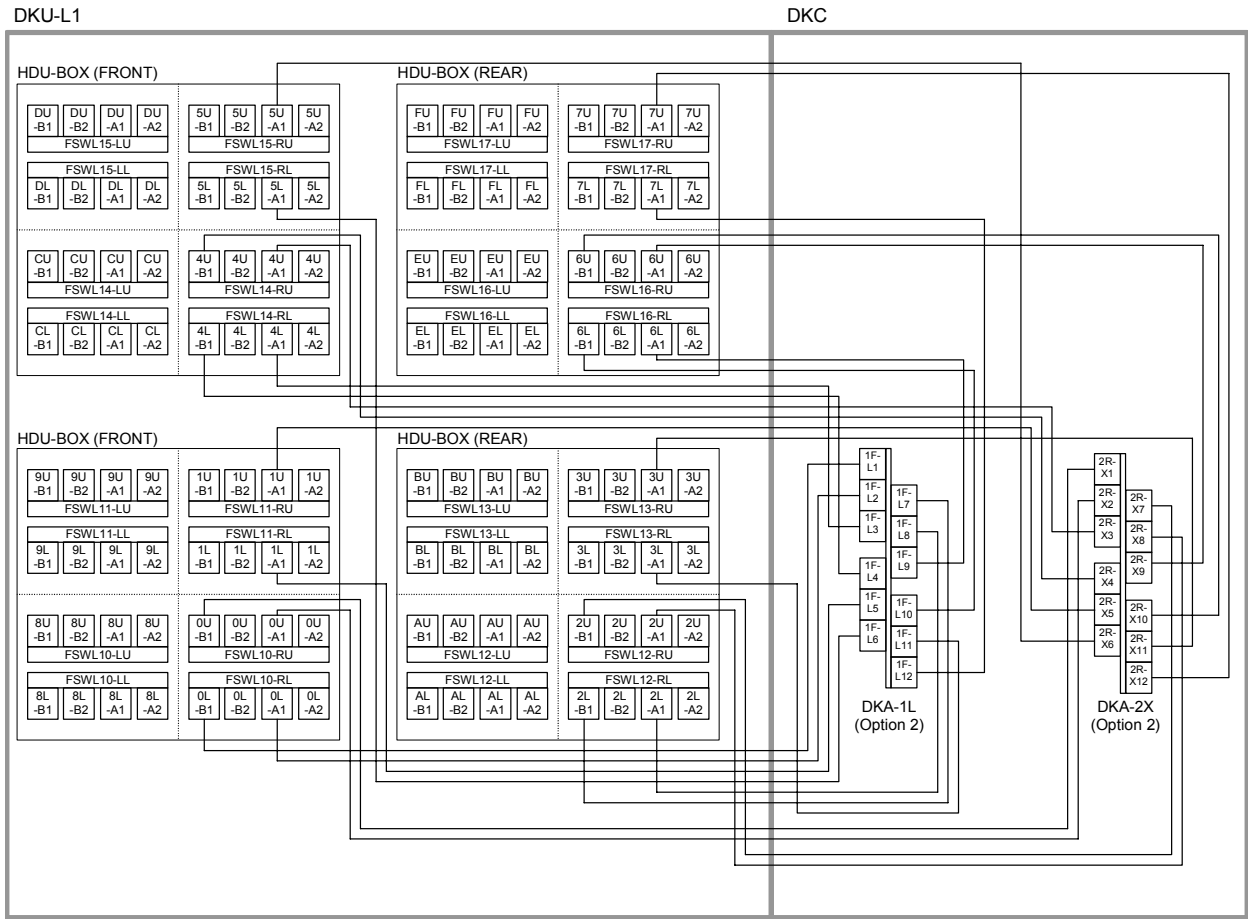


Fig. 5.3-2 Subsystem Internal Cabling Diagram (FL11C)

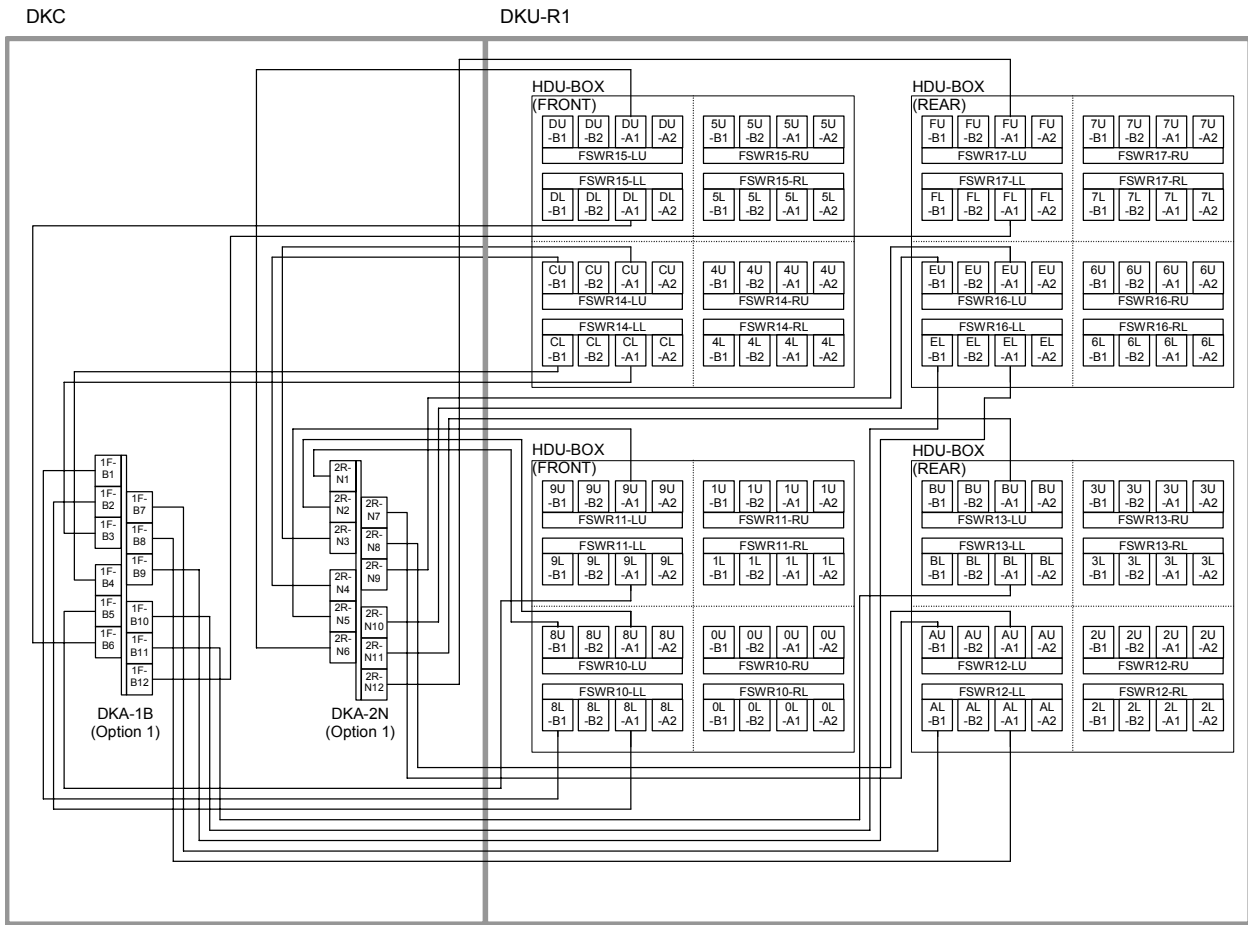


Fig. 5.3-3 Subsystem Internal Cabling Diagram (FR12C)

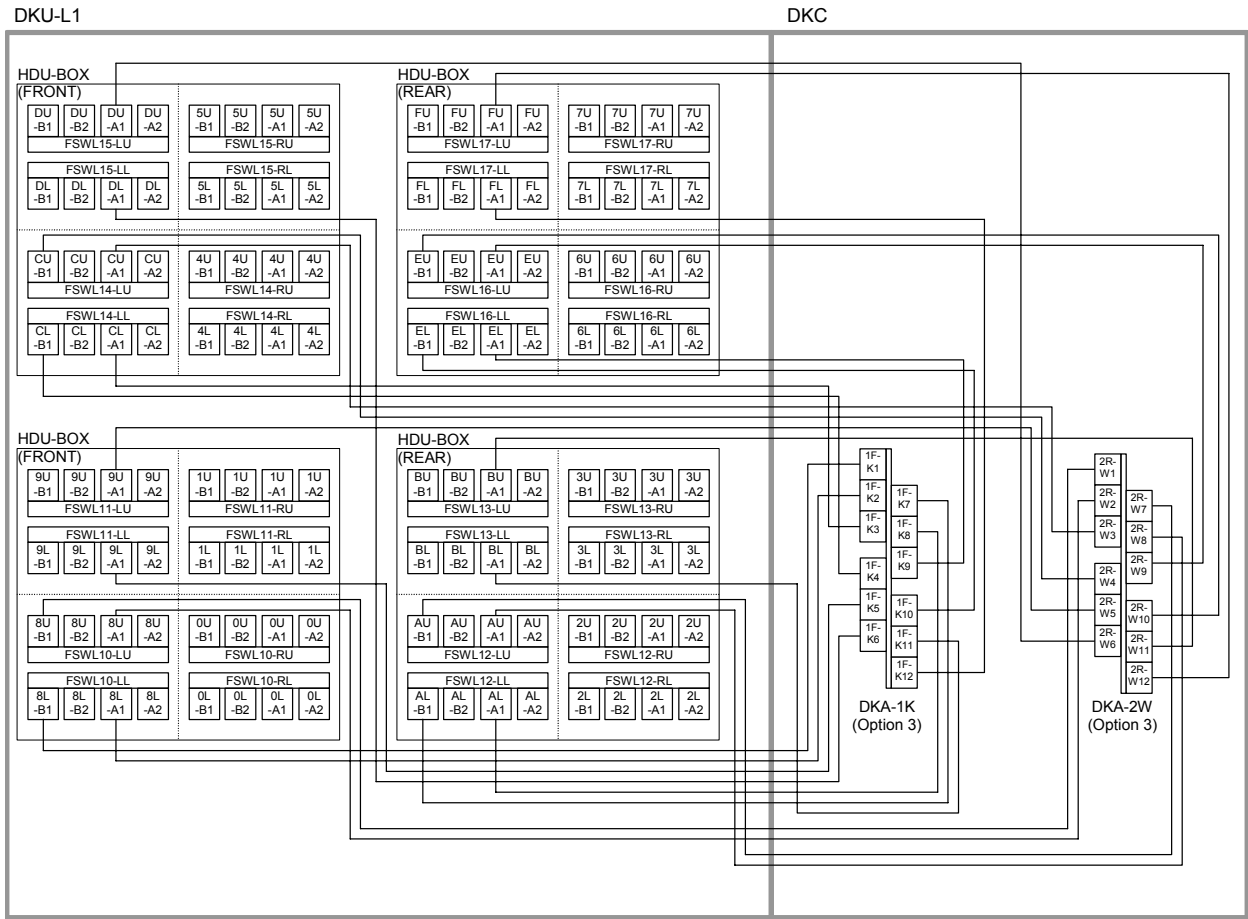


Fig. 5.3-4 Subsystem Internal Cabling Diagram (FL12C)

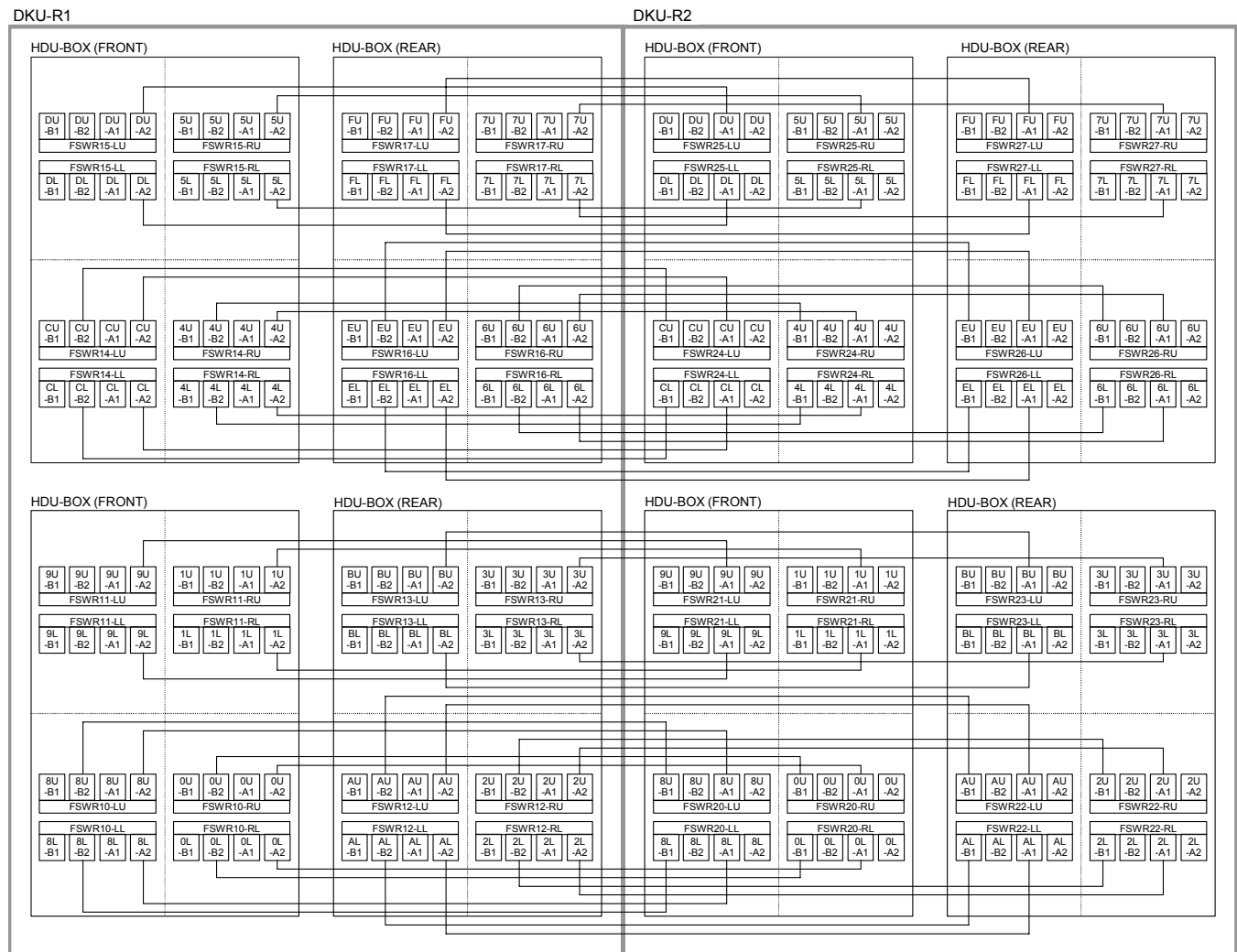


Fig. 5.3-5 Subsystem Internal Cabling Diagram (FEXC × 2)

5.4 Cable Assembly Parts List

5.4.1 RoHS not Applied

No.	Connector No.		Part No.	Part Name
	Source	Destination		
11-1	P101-1 (AC BOX)	P220-11 (56VSWPS)	3265943-A	CABLE ASSY (AC BOX)
2	P102-1 (AC BOX)	P220-13 (56VSWPS)	3265943-B	CABLE ASSY (AC BOX)
3	P103-1 (AC BOX)	P220-21 (56VSWPS)	3265943-C	CABLE ASSY (AC BOX)
4	P104-1 (AC BOX)	P220-23 (56VSWPS)	3265943-D	CABLE ASSY (AC BOX)
5	P101-2 (AC BOX)	P220-12 (56VSWPS)	3265943-E	CABLE ASSY (AC BOX)
6	P102-2 (AC BOX)	P220-14 (56VSWPS)	3265943-F	CABLE ASSY (AC BOX)
7	P103-2 (AC BOX)	P220-22 (56VSWPS)	3265943-G	CABLE ASSY (AC BOX)
8	P104-2 (AC BOX)	P220-24 (56VSWPS)	3265943-H	CABLE ASSY (AC BOX)
9	P105-1 (AC BOX)	P71 (PC BREAKER BOX)	3267704-A	CABLE ASSY (PC BREAKER)
10	P105-2 (AC BOX)	P72 (PC BREAKER BOX)	3267704-B	CABLE ASSY (PC BREAKER)
11	P12 (DKC PANEL)	J13 (—)	3267730-A	CABLE ASSY (EPO JOINT)
12	P611-1 (FAN ASSY)	P411-1 (HDD PL)	3267993-A	CABLE ASSY (HDD-FAN1)
13	P611-2 (FAN ASSY)	P411-2 (HDD PL)	3267993-B	CABLE ASSY (HDD-FAN1)
14	P611-3 (FAN ASSY)	P406-1 (HDD PL)	3267994-A	CABLE ASSY (HDD-FAN2)
	P611-4 (FAN ASSY)			
15	P611-5 (FAN ASSY)	P406-2 (HDD PL)	3267994-B	CABLE ASSY (HDD-FAN2)
	P611-6 (FAN ASSY)			
16	P36 (PS PL)	P414-1 (HDD PL)	3267779-A	CABLE ASSY (HDD PS)
	P37 (PS PL)	P413-1 (HDD PL)		
		P412-1 (HDD PL)		
17	P38 (PS PL)	P409-2 (HDD PL)	3267779-B	CABLE ASSY (HDD PS)
	P39 (PS PL)	P408-2 (HDD PL)		
		P407-2 (HDD PL)		
18	P56 (PS PL)	P409-1 (HDD PL)	3267779-C	CABLE ASSY (HDD PS)
	P57 (PS PL)	P408-1 (HDD PL)		
		P407-1 (HDD PL)		
19	P58 (PS PL)	P414-2 (HDD PL)	3267779-D	CABLE ASSY (HDD PS)
	P59 (PS PL)	P413-2 (HDD PL)		
		P412-2 (HDD PL)		
20	P34 (PS PL)	P601-1 (FAN ASSY)	3265962-A	CABLE ASSY (LG-FAN)
		P601-2 (FAN ASSY)		
		P601-3 (FAN ASSY)		
21	P54 (PS PL)	P601-4 (FAN ASSY)	3265962-B	CABLE ASSY (LG-FAN)
		P601-5 (FAN ASSY)		
		P601-6 (FAN ASSY)		

(To be continued)

(Continued from preceding page)

No.	Connector No.		Part No.	Part Name
	Source	Destination		
22	P35 (PS PL)	P55 (PS PL)	3267736-A	CABLE ASSY (PS PS)
23	P62 (PS PL)	P86-1 (SVP)	3265944-A	CABLE ASSY (SVP PS)
		P86-2 (SVP)		
24	P63 (PS PL)	JTH1L (TH ASSY)	3265942-A	CABLE ASSY (TH)
		JTH1R (TH ASSY)		
		JTH2L (TH ASSY)		
		JTH2R (TH ASSY)		
25	PSM10 (LG PL)	PSM30 (LG PL)	3267738-A	CABLE ASSY (SM)
26	PSM00 (LG PL)	PSM20 (LG PL)	3267738-B	CABLE ASSY (SM)
27	—	P13 (—)	3265939-A	EPO ASSY
28	P52 (PS PL)	P11 (DKC PNL)	5485693-1	CABLE ASSY (MRP)
29	P31 (PS PL)	P81-1 (SVP)	5485693-2	CABLE ASSY (MRP)
30	P32 (PS PL)	P81-2 (SVP)	5485693-3	CABLE ASSY (MRP)
31	P23 (SVP CON)	P82-1 (SVP)	5485693-4	CABLE ASSY (MRP)
32	P22 (SVP CON)	P82-2 (SVP)	5485693-5	CABLE ASSY (MRP)
33	P33 (PS PL)	P53 (PS PL)	5485693-6	CABLE ASSY (MRP)
34	1F-D1(CSW)	P83-1 (SVP)	5521547-5	LAN CABLE
35	2R-P1(CSW)	P84-2 (SVP)	5521547-6	LAN CABLE
36	P84-1 (SVP)	P83-2 (SVP)	5521547-3	LAN CABLE
37	P91 (C-SVP)	P16 (SVP CON)	5521547-7	LAN CABLE
38	—	—	5485695-1	LAN ADAPTER (CROSS)
39	P85-1 (SVP)	P24 (SVP CON)	5485698-3	TEL CABLE
40	P85-2 (SVP)	P25 (SVP CON)	5485698-4	TEL CABLE
41	P405-2 (HDD PL)	—	5485694-10	IDC LOOP CONNECTOR
42	P40 (PS PL)	P301-1 (HDD PNL)	5485694-1	CABLE ASSY (IDC)
43	P60 (PS PL)	P301-2 (HDD PNL)	5485694-2	CABLE ASSY (IDC)
44	P41 (PS PL)	1F-D2 (DKF)	5485694-3	CABLE ASSY (IDC)
45	P61 (PS PL)	2R-P2 (DKF)	5485694-4	CABLE ASSY (IDC)
46	P21 (SVP CON or PCI CON)	P51 (PS PL)	5485694-5	CABLE ASSY (IDC)

(To be continued)

(Continued from preceding page)

No.	Connector No.		Label No.	Part No.	Part Name
	Source	Destination			
47	1F-A1 (DKA)	FC-0L-B1 (FSW)	5521544-201	5524338-A	DEV I/F Cable (R10C)
	1F-A2 (DKA)	FC-0L-A1 (FSW)	5521519-201		
48	1F-A4 (DKA)	FC-4L-B1 (FSW)	5521544-202	5524338-B	DEV I/F Cable (R10C)
	1F-A3 (DKA)	FC-4L-A1 (FSW)	5521519-202		
49	1F-A5 (DKA)	FC-1L-A1 (FSW)	5521519-203	5524338-C	DEV I/F Cable (R10C)
50	1F-A6 (DKA)	FC-5L-A1 (FSW)	5521519-204	5524338-D	DEV I/F Cable (R10C)
51	1F-A7 (DKA)	FC-2L-B1 (FSW)	5521544-203	5524338-E	DEV I/F Cable (R10C)
	1F-A8 (DKA)	FC-2L-A1 (FSW)	5521519-205		
52	1F-A10 (DKA)	FC-6L-B1 (FSW)	5521544-204	5524338-F	DEV I/F Cable (R10C)
	1F-A9 (DKA)	FC-6L-A1 (FSW)	5521519-206		
53	1F-A11 (DKA)	FC-3L-A1 (FSW)	5521519-207	5524338-G	DEV I/F Cable (R10C)
54	1F-A12 (DKA)	FC-7L-A1 (FSW)	5521519-208	5524338-H	DEV I/F Cable (R10C)
55	2R-M1 (DKA)	FC-0U-B1 (FSW)	5521544-205	5524338-J	DEV I/F Cable (R10C)
	2R-M2 (DKA)	FC-0U-A1 (FSW)	5521519-209		
56	2R-M4 (DKA)	FC-4U-B1 (FSW)	5521544-206	5524338-K	DEV I/F Cable (R10C)
	2R-M3 (DKA)	FC-4U-A1 (FSW)	5521519-210		
57	2R-M5 (DKA)	FC-1U-A1 (FSW)	5521519-211	5524338-L	DEV I/F Cable (R10C)
58	2R-M6 (DKA)	FC-5U-A1 (FSW)	5521519-212	5524338-M	DEV I/F Cable (R10C)
59	2R-M7 (DKA)	FC-2U-B1 (FSW)	5521544-207	5524338-N	DEV I/F Cable (R10C)
	2R-M8 (DKA)	FC-2U-A1 (FSW)	5521519-213		
60	2R-M10 (DKA)	FC-6U-B1 (FSW)	5521544-208	5524338-P	DEV I/F Cable (R10C)
	2R-M9 (DKA)	FC-6U-A1 (FSW)	5521519-214		
61	2R-M11 (DKA)	FC-3U-A1 (FSW)	5521519-215	5524338-Q	DEV I/F Cable (R10C)
62	2R-M12 (DKA)	FC-7U-A1 (FSW)	5521519-216	5524338-R	DEV I/F Cable (R10C)
63	FC-0L-A2 (FSW)	0L-A1 (FSW)	5521519-217	5524339-A	DEV I/F Cable (R11C)
	FC-0L-B2 (FSW)	0L-B1 (FSW)	5521544-209		
64	FC-1L-A2 (FSW)	1L-A1 (FSW)	5521519-218	5524339-B	DEV I/F Cable (R11C)
65	FC-4L-A2 (FSW)	4L-A1 (FSW)	5521519-219	5524339-C	DEV I/F Cable (R11C)
	FC-4L-B2 (FSW)	4L-B1 (FSW)	5521544-210		
66	FC-5L-A2 (FSW)	5L-A1 (FSW)	5521519-220	5524339-D	DEV I/F Cable (R11C)

(To be continued)

(Continued from preceding page)

No.	Connector No.		Label No.	Part No.	Part Name
	Source	Destination			
67	FC-2L-A2 (FSW)	2L-A1 (FSW)	5521519-221	5524339-E	DEV I/F Cable (R11C)
	FC-2L-B2 (FSW)	2L-B1 (FSW)	5521544-211		
68	FC-3L-A2 (FSW)	3L-A1 (FSW)	5521519-222	5524339-F	DEV I/F Cable (R11C)
69	FC-6L-A2 (FSW)	6L-A1 (FSW)	5521519-223	5524339-G	DEV I/F Cable (R11C)
	FC-6L-B2 (FSW)	6L-B1 (FSW)	5521544-212		
70	FC-7L-A2 (FSW)	7L-A1 (FSW)	5521519-224	5524339-H	DEV I/F Cable (R11C)
71	FC-0U-A2 (FSW)	0U-A1 (FSW)	5521519-225	5524339-J	DEV I/F Cable (R11C)
	FC-0U-B2 (FSW)	0U-B1 (FSW)	5521544-213		
72	FC-1U-A2 (FSW)	1U-A1 (FSW)	5521519-226	5524339-K	DEV I/F Cable (R11C)
73	FC-4U-A2 (FSW)	4U-A1 (FSW)	5521519-227	5524339-L	DEV I/F Cable (R11C)
	FC-4U-B2 (FSW)	4U-B1 (FSW)	5521544-214		
74	FC-5U-A2 (FSW)	5U-A1 (FSW)	5521519-228	5524339-M	DEV I/F Cable (R11C)
75	FC-2U-A2 (FSW)	2U-A1 (FSW)	5521519-229	5524339-N	DEV I/F Cable (R11C)
	FC-2U-B2 (FSW)	2U-B1 (FSW)	5521544-215		
76	FC-3U-A2 (FSW)	3U-A1 (FSW)	5521519-230	5524339-P	DEV I/F Cable (R11C)
77	FC-6U-A2 (FSW)	6U-A1 (FSW)	5521519-231	5524339-Q	DEV I/F Cable (R11C)
	FC-6U-B2 (FSW)	6U-B1 (FSW)	5521544-216		
78	FC-7U-A2 (FSW)	7U-A1 (FSW)	5521519-232	5524339-R	DEV I/F Cable (R11C)
79	1F-B1 (DKA)	8L-B1 (FSW)	5521544-217	5524340-A	DEV I/F Cable (R12C)
	1F-B2 (DKA)	8L-A1 (FSW)	5521519-233		
80	1F-B4 (DKA)	CL-B1 (FSW)	5521544-218	5524340-B	DEV I/F Cable (R12C)
	1F-B3 (DKA)	CL-A1 (FSW)	5521519-234		
81	1F-B5 (DKA)	9L-A1 (FSW)	5521519-235	5524340-C	DEV I/F Cable (R12C)
82	1F-B6 (DKA)	DL-A1 (FSW)	5521519-236	5524340-D	DEV I/F Cable (R12C)
83	1F-B7 (DKA)	AL-B1 (FSW)	5521544-219	5524340-E	DEV I/F Cable (R12C)
	1F-B8 (DKA)	AL-A1 (FSW)	5521519-237		
84	1F-B10 (DKA)	EL-B1 (FSW)	5521544-220	5524340-F	DEV I/F Cable (R12C)
	1F-B9 (DKA)	EL-A1 (FSW)	5521519-238		
85	1F-B11 (DKA)	BL-A1 (FSW)	5521519-239	5524340-G	DEV I/F Cable (R12C)
86	1F-B12 (DKA)	FL-A1 (FSW)	5521519-240	5524340-H	DEV I/F Cable (R12C)

(To be continued)

(Continued from preceding page)

No.	Connector No.		Label No.	Part No.	Part Name
	Source	Destination			
87	2R-N1 (DKA)	8U-B1 (FSW)	5521544-221	5524340-J	DEV I/F Cable (R12C)
	2R-N2 (DKA)	8U-A1 (FSW)	5521519-241		
88	2R-N4 (DKA)	CU-B1 (FSW)	5521544-222	5524340-K	DEV I/F Cable (R12C)
	2R-N3 (DKA)	CU-A1 (FSW)	5521519-242		
89	2R-N5 (DKA)	9U-A1 (FSW)	5521519-243	5524340-L	DEV I/F Cable (R12C)
90	2R-N6 (DKA)	DU-A1 (FSW)	5521519-244	5524340-M	DEV I/F Cable (R12C)
91	2R-N7 (DKA)	AU-B1 (FSW)	5521544-223	5524340-N	DEV I/F Cable (R12C)
	2R-N8 (DKA)	AU-A1 (FSW)	5521519-245		
92	2R-N10 (DKA)	EU-B1 (FSW)	5521544-224	5524340-P	DEV I/F Cable (R12C)
	2R-N9 (DKA)	EU-A1 (FSW)	5521519-246		
93	2R-N11 (DKA)	BU-A1 (FSW)	5521519-247	5524340-Q	DEV I/F Cable (R12C)
94	2R-N12 (DKA)	FU-A1 (FSW)	5521519-248	5524340-R	DEV I/F Cable (R12C)
95	1F-L1 (DKA)	0L-B1 (FSW)	5521544-225	5524341-A	DEV I/F Cable (L11C)
	1F-L2 (DKA)	0L-A1 (FSW)	5521519-249		
96	1F-L4 (DKA)	4L-B1 (FSW)	5521544-226	5524341-B	DEV I/F Cable (L11C)
	1F-L3 (DKA)	4L-A1 (FSW)	5521519-250		
97	1F-L5 (DKA)	1L-A1 (FSW)	5521519-251	5524341-C	DEV I/F Cable (L11C)
98	1F-L6 (DKA)	5L-A1 (FSW)	5521519-252	5524341-D	DEV I/F Cable (L11C)
99	1F-L7 (DKA)	2L-B1 (FSW)	5521544-227	5524341-E	DEV I/F Cable (L11C)
	1F-L8 (DKA)	2L-A1 (FSW)	5521519-253		
100	1F-L10 (DKA)	6L-B1 (FSW)	5521544-228	5524341-F	DEV I/F Cable (L11C)
	1F-L9 (DKA)	6L-A1 (FSW)	5521519-254		
101	1F-L11 (DKA)	3L-A1 (FSW)	5521519-255	5524341-G	DEV I/F Cable (L11C)
102	1F-L12 (DKA)	7L-A1 (FSW)	5521519-256	5524341-H	DEV I/F Cable (L11C)
103	2R-X1 (DKA)	0U-B1 (FSW)	5521544-229	5524341-J	DEV I/F Cable (L11C)
	2R-X2 (DKA)	0U-A1 (FSW)	5521519-257		
104	2R-X4 (DKA)	4U-B1 (FSW)	5521544-230	5524341-K	DEV I/F Cable (L11C)
	2R-X3 (DKA)	4U-A1 (FSW)	5521519-258		
105	2R-X5 (DKA)	1U-A1 (FSW)	5521519-259	5524341-L	DEV I/F Cable (L11C)
106	2R-X6 (DKA)	5U-A1 (FSW)	5521519-260	5524341-M	DEV I/F Cable (L11C)

(To be continued)

(Continued from preceding page)

No.	Connector No.		Label No.	Part No.	Part Name
	Source	Destination			
107	2R-X7 (DKA)	2U-B1 (FSW)	5521544-231	5524341-N	DEV I/F Cable (L11C)
	2R-X8 (DKA)	2U-A1 (FSW)	5521519-261		
108	2R-X10 (DKA)	6U-B1 (FSW)	5521544-232	5524341-P	DEV I/F Cable (L11C)
	2R-X9 (DKA)	6U-A1 (FSW)	5521519-262		
109	2R-X11 (DKA)	3U-A1 (FSW)	5521519-263	5524341-Q	DEV I/F Cable (L11C)
110	2R-X12 (DKA)	7U-A1 (FSW)	5521519-264	5524341-R	DEV I/F Cable (L11C)
111	1F-K1 (DKA)	8L-B1 (FSW)	5521544-233	5524342-A	DEV I/F Cable (L12C)
	1F-K2 (DKA)	8L-A1 (FSW)	5521519-265		
112	1F-K4 (DKA)	CL-B1 (FSW)	5521544-234	5524342-B	DEV I/F Cable (L12C)
	1F-K3 (DKA)	CL-A1 (FSW)	5521519-266		
113	1F-K5 (DKA)	9L-A1 (FSW)	5521519-267	5524342-C	DEV I/F Cable (L12C)
114	1F-K6 (DKA)	DL-A1 (FSW)	5521519-268	5524342-D	DEV I/F Cable (L12C)
115	1F-K7 (DKA)	AL-B1 (FSW)	5521544-235	5524342-E	DEV I/F Cable (L12C)
	1F-K8 (DKA)	AL-A1 (FSW)	5521519-269		
116	1F-K10 (DKA)	EL-B1 (FSW)	5521544-236	5524342-F	DEV I/F Cable (L12C)
	1F-K9 (DKA)	EL-A1 (FSW)	5521519-270		
117	1F-K11 (DKA)	BL-A1 (FSW)	5521519-271	5524342-G	DEV I/F Cable (L12C)
118	1F-K12 (DKA)	FL-A1 (FSW)	5521519-272	5524342-H	DEV I/F Cable (L12C)
119	2R-W1 (DKA)	8U-B1 (FSW)	5521544-237	5524342-J	DEV I/F Cable (L12C)
	2R-W2 (DKA)	8U-A1 (FSW)	5521519-273		
120	2R-W4 (DKA)	CU-B1 (FSW)	5521544-238	5524342-K	DEV I/F Cable (L12C)
	2R-W3 (DKA)	CU-A1 (FSW)	5521519-274		
121	2R-W5 (DKA)	9U-A1 (FSW)	5521519-275	5524342-L	DEV I/F Cable (L12C)
122	2R-W6 (DKA)	DU-A1 (FSW)	5521519-276	5524342-M	DEV I/F Cable (L12C)
123	2R-W7 (DKA)	AU-B1 (FSW)	5521544-239	5524342-N	DEV I/F Cable (L12C)
	2R-W8 (DKA)	AU-A1 (FSW)	5521519-277		
124	2R-W10 (DKA)	EU-B1 (FSW)	5521544-240	5524342-P	DEV I/F Cable (L12C)
	2R-W9 (DKA)	EU-A1 (FSW)	5521519-278		
125	2R-W11 (DKA)	BU-A1 (FSW)	5521519-279	5524342-Q	DEV I/F Cable (L12C)
126	2R-W12 (DKA)	FU-A1 (FSW)	5521519-280	5524342-R	DEV I/F Cable (L12C)

(To be continued)

(Continued from preceding page)

No.	Connector No.		Label No.	Part No.	Part Name
	Source	Destination			
127	0L/8L-A2 (FSW)	0L/8L-A1 (FSW)	5521519-281	5524343-A	DEV I/F Cable (EXC)
	0L/8L-B2 (FSW)	0L/8L-B1 (FSW)	5521544-241		
128	1L/9L-A2 (FSW)	1L/9L-A1 (FSW)	5521519-282	5524343-B	DEV I/F Cable (EXC)
129	2L/AL-A2 (FSW)	2L/AL-A1 (FSW)	5521519-283	5524343-C	DEV I/F Cable (EXC)
	2L/AL-B2 (FSW)	2L/AL-B1 (FSW)	5521544-242		
130	3L/BL-A2 (FSW)	3L/BL-A1 (FSW)	5521519-284	5524343-D	DEV I/F Cable (EXC)
131	4L/CL-A2 (FSW)	4L/CL-A1 (FSW)	5521519-285	5524343-E	DEV I/F Cable (EXC)
	4L/CL-B2 (FSW)	4L/CL-B1 (FSW)	5521544-243		
132	5L/DL-A2 (FSW)	5L/DL-A1 (FSW)	5521519-286	5524343-F	DEV I/F Cable (EXC)
133	6L/EL-A2 (FSW)	6L/EL-A1 (FSW)	5521519-287	5524343-G	DEV I/F Cable (EXC)
	6L/EL-B2 (FSW)	6L/EL-B1 (FSW)	5521544-244		
134	7L/FL-A2 (FSW)	7L/FL-A1 (FSW)	5521519-288	5524343-H	DEV I/F Cable (EXC)
135	0U/8U-A2 (FSW)	0U/8U-A1 (FSW)	5521519-289	5524343-J	DEV I/F Cable (EXC)
	0U/8U-B2 (FSW)	0U/8U-B1 (FSW)	5521544-245		
136	1U/9U-A2 (FSW)	1U/9U-A1 (FSW)	5521519-290	5524343-K	DEV I/F Cable (EXC)
137	2U/AU-A2 (FSW)	2U/AU-A1 (FSW)	5521519-291	5524343-L	DEV I/F Cable (EXC)
	2U/AU-B2 (FSW)	2U/AU-B1 (FSW)	5521544-246		
138	3U/BU-A2 (FSW)	3U/BU-A1 (FSW)	5521519-292	5524343-M	DEV I/F Cable (EXC)
139	4U/CU-A2 (FSW)	4U/CU-A1 (FSW)	5521519-293	5524343-N	DEV I/F Cable (EXC)
	4U/CU-B2 (FSW)	4U/CU-B1 (FSW)	5521544-247		
140	5U/DU-A2 (FSW)	5U/DU-A1 (FSW)	5521519-294	5524343-P	DEV I/F Cable (EXC)
141	6U/EU-A2 (FSW)	6U/EU-A1 (FSW)	5521519-295	5524343-Q	DEV I/F Cable (EXC)
	6U/EU-B2 (FSW)	6U/EU-B1 (FSW)	5521544-248		
142	7U/FU-A2 (FSW)	7U/FU-A1 (FSW)	5521519-296	5524343-R	DEV I/F Cable (EXC)

(To be continued)

(Continued from preceding page)

No.	Connector No.		Part No.	Part Name
	Source	Destination		
143	—	—	5522831-1	HU JUMPER
144	—	—	—	—
145	0-P101 (AC BOX-1)	0-P220 (DKU PS-0)	3268775-1	CABLE ASSY (AC BOX)
146	0-P102 (AC BOX-1)	2-P220 (DKU PS-2)	3268775-2	CABLE ASSY (AC BOX)
147	1-P101 (AC BOX-2)	1-P220 (DKU PS-1)	3268775-3	CABLE ASSY (AC BOX)
148	1-P102 (AC BOX-2)	3-P220 (DKU PS-3)	3268775-4	CABLE ASSY (AC BOX)
149	0-P201 (DKU PS-0)	0-P414 (HDD PL-0)	3268776-1	CABLE ASSY (DKUPS1)
150	1-P201 (DKU PS-1)	1-P414 (HDD PL-1)	3268776-2	CABLE ASSY (DKUPS1)
151	2-P201 (DKU PS-2)	2-P414 (HDD PL-2)	3268776-3	CABLE ASSY (DKUPS1)
152	3-P201 (DKU PS-3)	3-P414 (HDD PL-3)	3268776-4	CABLE ASSY (DKUPS1)
153	0-P202 (DKU PS-0)	0-P413 (HDD PL-0)	3268776-5	CABLE ASSY (DKUPS1)
154	1-P202 (DKU PS-1)	1-P413 (HDD PL-1)	3268776-6	CABLE ASSY (DKUPS1)
155	2-P202 (DKU PS-2)	2-P413 (HDD PL-2)	3268776-7	CABLE ASSY (DKUPS1)
156	3-P202 (DKU PS-3)	3-P413 (HDD PL-3)	3268776-8	CABLE ASSY (DKUPS1)
157	0-P203 (DKU PS-0)	0-P412 (HDD PL-0)	3268776-9	CABLE ASSY (DKUPS1)
158	1-P203 (DKU PS-1)	1-P412 (HDD PL-1)	3268776-10	CABLE ASSY (DKUPS1)
159	2-P203 (DKU PS-2)	2-P412 (HDD PL-2)	3268776-11	CABLE ASSY (DKUPS1)
160	3-P203 (DKU PS-3)	3-P412 (HDD PL-3)	3268776-12	CABLE ASSY (DKUPS1)
161	0-P205 (DKU PS-0)	1-P409 (HDD PL-1)	3268777-1	CABLE ASSY (DKUPS2)
162	1-P205 (DKU PS-1)	0-P409 (HDD PL-0)	3268777-2	CABLE ASSY (DKUPS2)
163	2-P205 (DKU PS-2)	3-P409 (HDD PL-3)	3268777-3	CABLE ASSY (DKUPS2)
164	3-P205 (DKU PS-3)	2-P409 (HDD PL-2)	3268777-4	CABLE ASSY (DKUPS2)
165	0-P206 (DKU PS-0)	1-P408 (HDD PL-1)	3268777-5	CABLE ASSY (DKUPS2)
166	1-P206 (DKU PS-1)	0-P408 (HDD PL-0)	3268777-6	CABLE ASSY (DKUPS2)
167	2-P206 (DKU PS-2)	3-P408 (HDD PL-3)	3268777-7	CABLE ASSY (DKUPS2)
168	3-P206 (DKU PS-3)	2-P408 (HDD PL-2)	3268777-8	CABLE ASSY (DKUPS2)
169	0-P207 (DKU PS-0)	1-P407 (HDD PL-1)	3268777-9	CABLE ASSY (DKUPS2)
170	1-P207 (DKU PS-1)	0-P407 (HDD PL-0)	3268777-10	CABLE ASSY (DKUPS2)
171	2-P207 (DKU PS-2)	3-P407 (HDD PL-3)	3268777-11	CABLE ASSY (DKUPS2)
172	3-P207 (DKU PS-3)	2-P407 (HDD PL-2)	3268777-12	CABLE ASSY (DKUPS2)

(To be continued)

(Continued from preceding page)

No.	Connector No.		Part No.	Part Name
	Source	Destination		
173	0-P611 (FAN-0)	0-P411 (HDD PL-0)	3268778-1	CABLE ASSY (FAN-1)
174	1-P611 (FAN-1)	1-P411 (HDD PL-1)	3268778-2	CABLE ASSY (FAN-1)
175	2-P611 (FAN-2)	0-P406 (HDD PL-0)	3268780-1	CABLE ASSY (FAN-2)
	3-P611 (FAN-3)			
176	4-P611 (FAN-4)	1-P406 (HDD PL-1)	3268780-2	CABLE ASSY (FAN-2)
	5-P611 (FAN-5)			
177	0-P612 (FAN-0)	2-P411 (HDD PL-2)	3268779-1	CABLE ASSY (FAN-3)
178	1-P612 (FAN-1)	3-P411 (HDD PL-3)	3268779-2	CABLE ASSY (FAN-3)
179	0-P204 (DKU PS-0)	0-P405 (HDD PL-0)	5485694-6	CABLE ASSY (IDC10P)
180	1-P204 (DKU PS-1)	1-P405 (HDD PL-1)	5485694-7	CABLE ASSY (IDC10P)
181	2-P204 (DKU PS-2)	2-P405 (HDD PL-2)	5485694-8	CABLE ASSY (IDC10P)
182	3-P204 (DKU PS-3)	3-P405 (HDD PL-3)	5485694-9	CABLE ASSY (IDC10P)
183	—	—	5524153-1	CABLE ASSY (DKU GND)
184	—	—	5524154-1	CABLE ASSY (DOOR EARTH)

5.4.2 RoHS Applied

No.	Connector No.		Part No.	Part Name
	Source	Destination		
12-1	P101-1 (AC BOX)	P220-11 (56VSWPS)	3265943-A	CABLE ASSY (AC BOX)
2	P102-1 (AC BOX)	P220-13 (56VSWPS)	3265943-B	CABLE ASSY (AC BOX)
3	P103-1 (AC BOX)	P220-21 (56VSWPS)	3265943-C	CABLE ASSY (AC BOX)
4	P104-1 (AC BOX)	P220-23 (56VSWPS)	3265943-D	CABLE ASSY (AC BOX)
5	P101-2 (AC BOX)	P220-12 (56VSWPS)	3265943-E	CABLE ASSY (AC BOX)
6	P102-2 (AC BOX)	P220-14 (56VSWPS)	3265943-F	CABLE ASSY (AC BOX)
7	P103-2 (AC BOX)	P220-22 (56VSWPS)	3265943-G	CABLE ASSY (AC BOX)
8	P104-2 (AC BOX)	P220-24 (56VSWPS)	3265943-H	CABLE ASSY (AC BOX)
9	P105-1 (AC BOX)	P71 (PC BREAKER BOX)	3267704-A	CABLE ASSY (PC BREAKER)
10	P105-2 (AC BOX)	P72 (PC BREAKER BOX)	3267704-B	CABLE ASSY (PC BREAKER)
11	P12 (DKC PANEL)	J13 (—)	3267730-A	CABLE ASSY (EPO JOINT)
12	P611-1 (FAN ASSY)	P411-1 (HDD PL)	3267993-A	CABLE ASSY (HDD-FAN1)
13	P611-2 (FAN ASSY)	P411-2 (HDD PL)	3267993-B	CABLE ASSY (HDD-FAN1)
14	P611-3 (FAN ASSY)	P406-1 (HDD PL)	3267994-A	CABLE ASSY (HDD-FAN2)
	P611-4 (FAN ASSY)			
15	P611-5 (FAN ASSY)	P406-2 (HDD PL)	3267994-B	CABLE ASSY (HDD-FAN2)
	P611-6 (FAN ASSY)			
16	P36 (PS PL)	P414-1 (HDD PL)	3267779-A	CABLE ASSY (HDD PS)
	P37 (PS PL)	P413-1 (HDD PL)		
		P412-1 (HDD PL)		
17	P38 (PS PL)	P409-2 (HDD PL)	3267779-B	CABLE ASSY (HDD PS)
	P39 (PS PL)	P408-2 (HDD PL)		
		P407-2 (HDD PL)		
18	P56 (PS PL)	P409-1 (HDD PL)	3267779-C	CABLE ASSY (HDD PS)
	P57 (PS PL)	P408-1 (HDD PL)		
		P407-1 (HDD PL)		
19	P58 (PS PL)	P414-2 (HDD PL)	3267779-D	CABLE ASSY (HDD PS)
	P59 (PS PL)	P413-2 (HDD PL)		
		P412-2 (HDD PL)		
20	P34 (PS PL)	P601-1 (FAN ASSY)	3265962-A	CABLE ASSY (LG-FAN)
		P601-2 (FAN ASSY)		
		P601-3 (FAN ASSY)		
21	P54 (PS PL)	P601-4 (FAN ASSY)	3265962-B	CABLE ASSY (LG-FAN)
		P601-5 (FAN ASSY)		
		P601-6 (FAN ASSY)		

(To be continued)

(Continued from preceding page)

No.	Connector No.		Part No.	Part Name
	Source	Destination		
22	P35 (PS PL)	P55 (PS PL)	3267736-A	CABLE ASSY (PS PS)
23	P62 (PS PL)	P86-1 (SVP)	3265944-A	CABLE ASSY (SVP PS)
		P86-2 (SVP)		
24	P63 (PS PL)	JTH1L (TH ASSY)	3265942-A	CABLE ASSY (TH)
		JTH1R (TH ASSY)		
		JTH2L (TH ASSY)		
		JTH2R (TH ASSY)		
25	PSM10 (LG PL)	PSM30 (LG PL)	3267738-A	CABLE ASSY (SM)
26	PSM00 (LG PL)	PSM20 (LG PL)	3267738-B	CABLE ASSY (SM)
27	—	P13 (—)	3269954-A	EPO ASSY
28	P52 (PS PL)	P11 (DKC PNL)	5521585-1	CABLE ASSY (MRP)
29	P31 (PS PL)	P81-1 (SVP)	5521585-2	CABLE ASSY (MRP)
30	P32 (PS PL)	P81-2 (SVP)	5521585-3	CABLE ASSY (MRP)
31	P23 (SVP CON)	P82-1 (SVP)	5521585-4	CABLE ASSY (MRP)
32	P22 (SVP CON)	P82-2 (SVP)	5521585-5	CABLE ASSY (MRP)
33	P33 (PS PL)	P53 (PS PL)	5521585-6	CABLE ASSY (MRP)
34	1F-D1(CSW)	P83-1 (SVP)	5521599-5	LAN CABLE
35	2R-P1(CSW)	P84-2 (SVP)	5521599-6	LAN CABLE
36	P84-1 (SVP)	P83-2 (SVP)	5521599-3	LAN CABLE
37	P91 (C-SVP)	P16 (SVP CON)	5521599-7	LAN CABLE
38	—	—	5521597-1	LAN ADAPTER (CROSS)
39	P85-1 (SVP)	P24 (SVP CON)	5485698-3	TEL CABLE
40	P85-2 (SVP)	P25 (SVP CON)	5485698-4	TEL CABLE
41	P405-2 (HDD PL)	—	5521600-6	IDC LOOP CONNECTOR
42	P40 (PS PL)	P301-1 (HDD PNL)	5521600-1	CABLE ASSY (IDC)
43	P60 (PS PL)	P301-2 (HDD PNL)	5521600-2	CABLE ASSY (IDC)
44	P41 (PS PL)	1F-D2 (DKF)	5521600-3	CABLE ASSY (IDC)
45	P61 (PS PL)	2R-P2 (DKF)	5521600-4	CABLE ASSY (IDC)
46	P21 (SVP CON or PCI CON)	P51 (PS PL)	5521600-5	CABLE ASSY (IDC)

(To be continued)

(Continued from preceding page)

No.	Connector No.		Label No.	Part No.	Part Name
	Source	Destination			
47	1F-A1 (DKA)	FC-0L-B1 (FSW)	5521593-201	5526389-A	DEV I/F Cable (R10CR)
	1F-A2 (DKA)	FC-0L-A1 (FSW)	5521590-201		
48	1F-A4 (DKA)	FC-4L-B1 (FSW)	5521593-202	5526389-B	DEV I/F Cable (R10CR)
	1F-A3 (DKA)	FC-4L-A1 (FSW)	5521590-202		
49	1F-A5 (DKA)	FC-1L-A1 (FSW)	5521590-203	5526389-C	DEV I/F Cable (R10CR)
50	1F-A6 (DKA)	FC-5L-A1 (FSW)	5521590-204	5526389-D	DEV I/F Cable (R10CR)
51	1F-A7 (DKA)	FC-2L-B1 (FSW)	5521593-203	5526389-E	DEV I/F Cable (R10CR)
	1F-A8 (DKA)	FC-2L-A1 (FSW)	5521590-205		
52	1F-A10 (DKA)	FC-6L-B1 (FSW)	5521593-204	5526389-F	DEV I/F Cable (R10CR)
	1F-A9 (DKA)	FC-6L-A1 (FSW)	5521590-206		
53	1F-A11 (DKA)	FC-3L-A1 (FSW)	5521590-207	5526389-G	DEV I/F Cable (R10CR)
54	1F-A12 (DKA)	FC-7L-A1 (FSW)	5521590-208	5526389-H	DEV I/F Cable (R10CR)
55	2R-M1 (DKA)	FC-0U-B1 (FSW)	5521593-205	5526389-J	DEV I/F Cable (R10CR)
	2R-M2 (DKA)	FC-0U-A1 (FSW)	5521590-209		
56	2R-M4 (DKA)	FC-4U-B1 (FSW)	5521593-206	5526389-K	DEV I/F Cable (R10CR)
	2R-M3 (DKA)	FC-4U-A1 (FSW)	5521590-210		
57	2R-M5 (DKA)	FC-1U-A1 (FSW)	5521590-211	5526389-L	DEV I/F Cable (R10CR)
58	2R-M6 (DKA)	FC-5U-A1 (FSW)	5521590-212	5526389-M	DEV I/F Cable (R10CR)
59	2R-M7 (DKA)	FC-2U-B1 (FSW)	5521593-207	5526389-N	DEV I/F Cable (R10CR)
	2R-M8 (DKA)	FC-2U-A1 (FSW)	5521590-213		
60	2R-M10 (DKA)	FC-6U-B1 (FSW)	5521593-208	5526389-P	DEV I/F Cable (R10CR)
	2R-M9 (DKA)	FC-6U-A1 (FSW)	5521590-214		
61	2R-M11 (DKA)	FC-3U-A1 (FSW)	5521590-215	5526389-Q	DEV I/F Cable (R10CR)
62	2R-M12 (DKA)	FC-7U-A1 (FSW)	5521590-216	5526389-R	DEV I/F Cable (R10CR)
63	FC-0L-A2 (FSW)	0L-A1 (FSW)	5521590-217	5526390-A	DEV I/F Cable (R11CR)
	FC-0L-B2 (FSW)	0L-B1 (FSW)	5521593-209		
64	FC-1L-A2 (FSW)	1L-A1 (FSW)	5521590-218	5526390-B	DEV I/F Cable (R11CR)
65	FC-4L-A2 (FSW)	4L-A1 (FSW)	5521590-219	5526390-C	DEV I/F Cable (R11CR)
	FC-4L-B2 (FSW)	4L-B1 (FSW)	5521593-210		
66	FC-5L-A2 (FSW)	5L-A1 (FSW)	5521590-220	5526390-D	DEV I/F Cable (R11CR)

(To be continued)

(Continued from preceding page)

No.	Connector No.		Label No.	Part No.	Part Name
	Source	Destination			
67	FC-2L-A2 (FSW)	2L-A1 (FSW)	5521590-221	5526390-E	DEV I/F Cable (R11CR)
	FC-2L-B2 (FSW)	2L-B1 (FSW)	5521593-211		
68	FC-3L-A2 (FSW)	3L-A1 (FSW)	5521590-222	5526390-F	DEV I/F Cable (R11CR)
69	FC-6L-A2 (FSW)	6L-A1 (FSW)	5521590-223	5526390-G	DEV I/F Cable (R11CR)
	FC-6L-B2 (FSW)	6L-B1 (FSW)	5521593-212		
70	FC-7L-A2 (FSW)	7L-A1 (FSW)	5521590-224	5526390-H	DEV I/F Cable (R11CR)
71	FC-0U-A2 (FSW)	0U-A1 (FSW)	5521590-225	5526390-J	DEV I/F Cable (R11CR)
	FC-0U-B2 (FSW)	0U-B1 (FSW)	5521593-213		
72	FC-1U-A2 (FSW)	1U-A1 (FSW)	5521590-226	5526390-K	DEV I/F Cable (R11CR)
73	FC-4U-A2 (FSW)	4U-A1 (FSW)	5521590-227	5526390-L	DEV I/F Cable (R11CR)
	FC-4U-B2 (FSW)	4U-B1 (FSW)	5521593-214		
74	FC-5U-A2 (FSW)	5U-A1 (FSW)	5521590-228	5526390-M	DEV I/F Cable (R11CR)
75	FC-2U-A2 (FSW)	2U-A1 (FSW)	5521590-229	5526390-N	DEV I/F Cable (R11CR)
	FC-2U-B2 (FSW)	2U-B1 (FSW)	5521593-215		
76	FC-3U-A2 (FSW)	3U-A1 (FSW)	5521590-230	5526390-P	DEV I/F Cable (R11CR)
77	FC-6U-A2 (FSW)	6U-A1 (FSW)	5521590-231	5526390-Q	DEV I/F Cable (R11CR)
	FC-6U-B2 (FSW)	6U-B1 (FSW)	5521593-216		
78	FC-7U-A2 (FSW)	7U-A1 (FSW)	5521590-232	5526390-R	DEV I/F Cable (R11CR)
79	1F-B1 (DKA)	8L-B1 (FSW)	5521593-217	5526391-A	DEV I/F Cable (R12CR)
	1F-B2 (DKA)	8L-A1 (FSW)	5521590-233		
80	1F-B4 (DKA)	CL-B1 (FSW)	5521593-218	5526391-B	DEV I/F Cable (R12CR)
	1F-B3 (DKA)	CL-A1 (FSW)	5521590-234		
81	1F-B5 (DKA)	9L-A1 (FSW)	5521590-235	5526391-C	DEV I/F Cable (R12CR)
82	1F-B6 (DKA)	DL-A1 (FSW)	5521590-236	5526391-D	DEV I/F Cable (R12CR)
83	1F-B7 (DKA)	AL-B1 (FSW)	5521593-219	5526391-E	DEV I/F Cable (R12CR)
	1F-B8 (DKA)	AL-A1 (FSW)	5521590-237		
84	1F-B10 (DKA)	EL-B1 (FSW)	5521593-220	5526391-F	DEV I/F Cable (R12CR)
	1F-B9 (DKA)	EL-A1 (FSW)	5521590-238		
85	1F-B11 (DKA)	BL-A1 (FSW)	5521590-239	5526391-G	DEV I/F Cable (R12CR)
86	1F-B12 (DKA)	FL-A1 (FSW)	5521590-240	5526391-H	DEV I/F Cable (R12CR)

(To be continued)

(Continued from preceding page)

No.	Connector No.		Label No.	Part No.	Part Name
	Source	Destination			
87	2R-N1 (DKA)	8U-B1 (FSW)	5521593-221	5526391-J	DEV I/F Cable (R12CR)
	2R-N2 (DKA)	8U-A1 (FSW)	5521590-241		
88	2R-N4 (DKA)	CU-B1 (FSW)	5521593-222	5526391-K	DEV I/F Cable (R12CR)
	2R-N3 (DKA)	CU-A1 (FSW)	5521590-242		
89	2R-N5 (DKA)	9U-A1 (FSW)	5521590-243	5526391-L	DEV I/F Cable (R12CR)
90	2R-N6 (DKA)	DU-A1 (FSW)	5521590-244	5526391-M	DEV I/F Cable (R12CR)
91	2R-N7 (DKA)	AU-B1 (FSW)	5521593-223	5526391-N	DEV I/F Cable (R12CR)
	2R-N8 (DKA)	AU-A1 (FSW)	5521590-245		
92	2R-N10 (DKA)	EU-B1 (FSW)	5521593-224	5526391-P	DEV I/F Cable (R12CR)
	2R-N9 (DKA)	EU-A1 (FSW)	5521590-246		
93	2R-N11 (DKA)	BU-A1 (FSW)	5521590-247	5526391-Q	DEV I/F Cable (R12CR)
94	2R-N12 (DKA)	FU-A1 (FSW)	5521590-248	5526391-R	DEV I/F Cable (R12CR)
95	1F-L1 (DKA)	0L-B1 (FSW)	5521593-225	5526392-A	DEV I/F Cable (L11CR)
	1F-L2 (DKA)	0L-A1 (FSW)	5521590-249		
96	1F-L4 (DKA)	4L-B1 (FSW)	5521593-226	5526392-B	DEV I/F Cable (L11CR)
	1F-L3 (DKA)	4L-A1 (FSW)	5521590-250		
97	1F-L5 (DKA)	1L-A1 (FSW)	5521590-251	5526392-C	DEV I/F Cable (L11CR)
98	1F-L6 (DKA)	5L-A1 (FSW)	5521590-252	5526392-D	DEV I/F Cable (L11CR)
99	1F-L7 (DKA)	2L-B1 (FSW)	5521593-227	5526392-E	DEV I/F Cable (L11CR)
	1F-L8 (DKA)	2L-A1 (FSW)	5521590-253		
100	1F-L10 (DKA)	6L-B1 (FSW)	5521593-228	5526392-F	DEV I/F Cable (L11CR)
	1F-L9 (DKA)	6L-A1 (FSW)	5521590-254		
101	1F-L11 (DKA)	3L-A1 (FSW)	5521590-255	5526392-G	DEV I/F Cable (L11CR)
102	1F-L12 (DKA)	7L-A1 (FSW)	5521590-256	5526392-H	DEV I/F Cable (L11CR)
103	2R-X1 (DKA)	0U-B1 (FSW)	5521593-229	5526392-J	DEV I/F Cable (L11CR)
	2R-X2 (DKA)	0U-A1 (FSW)	5521590-257		
104	2R-X4 (DKA)	4U-B1 (FSW)	5521593-230	5526392-K	DEV I/F Cable (L11CR)
	2R-X3 (DKA)	4U-A1 (FSW)	5521590-258		
105	2R-X5 (DKA)	1U-A1 (FSW)	5521590-259	5526392-L	DEV I/F Cable (L11CR)
106	2R-X6 (DKA)	5U-A1 (FSW)	5521590-260	5526392-M	DEV I/F Cable (L11CR)

(To be continued)

(Continued from preceding page)

No.	Connector No.		Label No.	Part No.	Part Name
	Source	Destination			
107	2R-X7 (DKA)	2U-B1 (FSW)	5521593-231	5526392-N	DEV I/F Cable (L11CR)
	2R-X8 (DKA)	2U-A1 (FSW)	5521590-261		
108	2R-X10 (DKA)	6U-B1 (FSW)	5521593-232	5526392-P	DEV I/F Cable (L11CR)
	2R-X9 (DKA)	6U-A1 (FSW)	5521590-262		
109	2R-X11 (DKA)	3U-A1 (FSW)	5521590-263	5526392-Q	DEV I/F Cable (L11CR)
110	2R-X12 (DKA)	7U-A1 (FSW)	5521590-264	5526392-R	DEV I/F Cable (L11CR)
111	1F-K1 (DKA)	8L-B1 (FSW)	5521593-233	5526393-A	DEV I/F Cable (L12CR)
	1F-K2 (DKA)	8L-A1 (FSW)	5521590-265		
112	1F-K4 (DKA)	CL-B1 (FSW)	5521593-234	5526393-B	DEV I/F Cable (L12CR)
	1F-K3 (DKA)	CL-A1 (FSW)	5521590-266		
113	1F-K5 (DKA)	9L-A1 (FSW)	5521590-267	5526393-C	DEV I/F Cable (L12CR)
114	1F-K6 (DKA)	DL-A1 (FSW)	5521590-268	5526393-D	DEV I/F Cable (L12CR)
115	1F-K7 (DKA)	AL-B1 (FSW)	5521593-235	5526393-E	DEV I/F Cable (L12CR)
	1F-K8 (DKA)	AL-A1 (FSW)	5521590-269		
116	1F-K10 (DKA)	EL-B1 (FSW)	5521593-236	5526393-F	DEV I/F Cable (L12CR)
	1F-K9 (DKA)	EL-A1 (FSW)	5521590-270		
117	1F-K11 (DKA)	BL-A1 (FSW)	5521590-271	5526393-G	DEV I/F Cable (L12CR)
118	1F-K12 (DKA)	FL-A1 (FSW)	5521590-272	5526393-H	DEV I/F Cable (L12CR)
119	2R-W1 (DKA)	8U-B1 (FSW)	5521593-237	5526393-J	DEV I/F Cable (L12CR)
	2R-W2 (DKA)	8U-A1 (FSW)	5521590-273		
120	2R-W4 (DKA)	CU-B1 (FSW)	5521593-238	5526393-K	DEV I/F Cable (L12CR)
	2R-W3 (DKA)	CU-A1 (FSW)	5521590-274		
121	2R-W5 (DKA)	9U-A1 (FSW)	5521590-275	5526393-L	DEV I/F Cable (L12CR)
122	2R-W6 (DKA)	DU-A1 (FSW)	5521590-276	5526393-M	DEV I/F Cable (L12CR)
123	2R-W7 (DKA)	AU-B1 (FSW)	5521593-239	5526393-N	DEV I/F Cable (L12CR)
	2R-W8 (DKA)	AU-A1 (FSW)	5521590-277		
124	2R-W10 (DKA)	EU-B1 (FSW)	5521593-240	5526393-P	DEV I/F Cable (L12CR)
	2R-W9 (DKA)	EU-A1 (FSW)	5521590-278		
125	2R-W11 (DKA)	BU-A1 (FSW)	5521590-279	5526393-Q	DEV I/F Cable (L12CR)
126	2R-W12 (DKA)	FU-A1 (FSW)	5521590-280	5526393-R	DEV I/F Cable (L12CR)

(To be continued)

(Continued from preceding page)

No.	Connector No.		Label No.	Part No.	Part Name
	Source	Destination			
127	0L/8L-A2 (FSW)	0L/8L-A1 (FSW)	5521590-281	5526394-A	DEV I/F Cable (EXCR)
	0L/8L-B2 (FSW)	0L/8L-B1 (FSW)	5521593-241		
128	1L/9L-A2 (FSW)	1L/9L-A1 (FSW)	5521590-282	5526394-B	DEV I/F Cable (EXCR)
129	2L/AL-A2 (FSW)	2L/AL-A1 (FSW)	5521590-283	5526394-C	DEV I/F Cable (EXCR)
	2L/AL-B2 (FSW)	2L/AL-B1 (FSW)	5521593-242		
130	3L/BL-A2 (FSW)	3L/BL-A1 (FSW)	5521590-284	5526394-D	DEV I/F Cable (EXCR)
131	4L/CL-A2 (FSW)	4L/CL-A1 (FSW)	5521590-285	5526394-E	DEV I/F Cable (EXCR)
	4L/CL-B2 (FSW)	4L/CL-B1 (FSW)	5521593-243		
132	5L/DL-A2 (FSW)	5L/DL-A1 (FSW)	5521590-286	5526394-F	DEV I/F Cable (EXCR)
133	6L/EL-A2 (FSW)	6L/EL-A1 (FSW)	5521590-287	5526394-G	DEV I/F Cable (EXCR)
	6L/EL-B2 (FSW)	6L/EL-B1 (FSW)	5521593-244		
134	7L/FL-A2 (FSW)	7L/FL-A1 (FSW)	5521590-288	5526394-H	DEV I/F Cable (EXCR)
135	0U/8U-A2 (FSW)	0U/8U-A1 (FSW)	5521590-289	5526394-J	DEV I/F Cable (EXCR)
	0U/8U-B2 (FSW)	0U/8U-B1 (FSW)	5521593-245		
136	1U/9U-A2 (FSW)	1U/9U-A1 (FSW)	5521590-290	5526394-K	DEV I/F Cable (EXCR)
137	2U/AU-A2 (FSW)	2U/AU-A1 (FSW)	5521590-291	5526394-L	DEV I/F Cable (EXCR)
	2U/AU-B2 (FSW)	2U/AU-B1 (FSW)	5521593-246		
138	3U/BU-A2 (FSW)	3U/BU-A1 (FSW)	5521590-292	5526394-M	DEV I/F Cable (EXCR)
139	4U/CU-A2 (FSW)	4U/CU-A1 (FSW)	5521590-293	5526394-N	DEV I/F Cable (EXCR)
	4U/CU-B2 (FSW)	4U/CU-B1 (FSW)	5521593-247		
140	5U/DU-A2 (FSW)	5U/DU-A1 (FSW)	5521590-294	5526394-P	DEV I/F Cable (EXCR)
141	6U/EU-A2 (FSW)	6U/EU-A1 (FSW)	5521590-295	5526394-Q	DEV I/F Cable (EXCR)
	6U/EU-B2 (FSW)	6U/EU-B1 (FSW)	5521593-248		
142	7U/FU-A2 (FSW)	7U/FU-A1 (FSW)	5521590-296	5526394-R	DEV I/F Cable (EXCR)

(To be continued)

(Continued from preceding page)

No.	Connector No.		Part No.	Part Name
	Source	Destination		
143	—	—	5521578-1	HU JUMPER
144	—	—	—	—
145	0-P101 (AC BOX-1)	0-P220 (DKU PS-0)	3268775-1	CABLE ASSY (AC BOX)
146	0-P102 (AC BOX-1)	2-P220 (DKU PS-2)	3268775-2	CABLE ASSY (AC BOX)
147	1-P101 (AC BOX-2)	1-P220 (DKU PS-1)	3268775-3	CABLE ASSY (AC BOX)
148	1-P102 (AC BOX-2)	3-P220 (DKU PS-3)	3268775-4	CABLE ASSY (AC BOX)
149	0-P201 (DKU PS-0)	0-P414 (HDD PL-0)	3268776-1	CABLE ASSY (DKUPS1)
150	1-P201 (DKU PS-1)	1-P414 (HDD PL-1)	3268776-2	CABLE ASSY (DKUPS1)
151	2-P201 (DKU PS-2)	2-P414 (HDD PL-2)	3268776-3	CABLE ASSY (DKUPS1)
152	3-P201 (DKU PS-3)	3-P414 (HDD PL-3)	3268776-4	CABLE ASSY (DKUPS1)
153	0-P202 (DKU PS-0)	0-P413 (HDD PL-0)	3268776-5	CABLE ASSY (DKUPS1)
154	1-P202 (DKU PS-1)	1-P413 (HDD PL-1)	3268776-6	CABLE ASSY (DKUPS1)
155	2-P202 (DKU PS-2)	2-P413 (HDD PL-2)	3268776-7	CABLE ASSY (DKUPS1)
156	3-P202 (DKU PS-3)	3-P413 (HDD PL-3)	3268776-8	CABLE ASSY (DKUPS1)
157	0-P203 (DKU PS-0)	0-P412 (HDD PL-0)	3268776-9	CABLE ASSY (DKUPS1)
158	1-P203 (DKU PS-1)	1-P412 (HDD PL-1)	3268776-10	CABLE ASSY (DKUPS1)
159	2-P203 (DKU PS-2)	2-P412 (HDD PL-2)	3268776-11	CABLE ASSY (DKUPS1)
160	3-P203 (DKU PS-3)	3-P412 (HDD PL-3)	3268776-12	CABLE ASSY (DKUPS1)
161	0-P205 (DKU PS-0)	1-P409 (HDD PL-1)	3268777-1	CABLE ASSY (DKUPS2)
162	1-P205 (DKU PS-1)	0-P409 (HDD PL-0)	3268777-2	CABLE ASSY (DKUPS2)
163	2-P205 (DKU PS-2)	3-P409 (HDD PL-3)	3268777-3	CABLE ASSY (DKUPS2)
164	3-P205 (DKU PS-3)	2-P409 (HDD PL-2)	3268777-4	CABLE ASSY (DKUPS2)
165	0-P206 (DKU PS-0)	1-P408 (HDD PL-1)	3268777-5	CABLE ASSY (DKUPS2)
166	1-P206 (DKU PS-1)	0-P408 (HDD PL-0)	3268777-6	CABLE ASSY (DKUPS2)
167	2-P206 (DKU PS-2)	3-P408 (HDD PL-3)	3268777-7	CABLE ASSY (DKUPS2)
168	3-P206 (DKU PS-3)	2-P408 (HDD PL-2)	3268777-8	CABLE ASSY (DKUPS2)
169	0-P207 (DKU PS-0)	1-P407 (HDD PL-1)	3268777-9	CABLE ASSY (DKUPS2)
170	1-P207 (DKU PS-1)	0-P407 (HDD PL-0)	3268777-10	CABLE ASSY (DKUPS2)
171	2-P207 (DKU PS-2)	3-P407 (HDD PL-3)	3268777-11	CABLE ASSY (DKUPS2)
172	3-P207 (DKU PS-3)	2-P407 (HDD PL-2)	3268777-12	CABLE ASSY (DKUPS2)

(To be continued)

(Continued from preceding page)

No.	Connector No.		Part No.	Part Name
	Source	Destination		
173	0-P611 (FAN-0)	0-P411 (HDD PL-0)	3268778-1	CABLE ASSY (FAN-1)
174	1-P611 (FAN-1)	1-P411 (HDD PL-1)	3268778-2	CABLE ASSY (FAN-1)
175	2-P611 (FAN-2)	0-P406 (HDD PL-0)	3268780-1	CABLE ASSY (FAN-2)
	3-P611 (FAN-3)			
176	4-P611 (FAN-4)	1-P406 (HDD PL-1)	3268780-2	CABLE ASSY (FAN-2)
	5-P611 (FAN-5)			
177	0-P612 (FAN-0)	2-P411 (HDD PL-2)	3268779-1	CABLE ASSY (FAN-3)
178	1-P612 (FAN-1)	3-P411 (HDD PL-3)	3268779-2	CABLE ASSY (FAN-3)
179	0-P204 (DKU PS-0)	0-P405 (HDD PL-0)	5521600-6	CABLE ASSY (IDC10P)
180	1-P204 (DKU PS-1)	1-P405 (HDD PL-1)	5521600-7	CABLE ASSY (IDC10P)
181	2-P204 (DKU PS-2)	2-P405 (HDD PL-2)	5521600-8	CABLE ASSY (IDC10P)
182	3-P204 (DKU PS-3)	3-P405 (HDD PL-3)	5521600-9	CABLE ASSY (IDC10P)
183	—	—	5524153-1	CABLE ASSY (DKU GND)
184	—	—	5526215-1	CABLE ASSY (DOOR EARTH)

6. Spare Parts List

The following table shows the Spare parts of the DKC and DKU.

Notice: There are two kinds of spare parts: a “part that does not conform to the RoHS” and a “part that conforms to the RoHS.” When using a spare part, select the correct one referring to “Notes on Conformity to the RoHS” on page [PARTS06-140](#).

No.	Part Name	Part Number	RoHS	Unit	Corresponding List and Index Number	
1	Serial 8-port CHA ASSY	WP512-A × 1 & SH343-A × 4	5524263-A	Not applied	DKC	10-1
		WP512-B × 1 & SH343-B × 4	5524263-C	Applied		
2	MF Fibre 8-port CHA ASSY (Short wave 1-2Gbps)	WP514-C × 1 & SH343-B × 4	5524261-C	Applied	DKC	10-2
3	MF Fibre 8-port CHA ASSY (Long wave 1-2Gbps)	WP514-D × 1 & SH343-B × 4	5524262-C	Applied	DKC	10-3
4	MF Fibre 4-port CHA ASSY (Short wave 1-2Gbps)	WP515-A × 1 & SH343-A × 4	5524259-A	Not applied	DKC	10-4
		WP515-C × 1 & SH343-B × 4	5524259-C	Applied		
5	MF Fibre 4-port CHA ASSY (Long wave 1-2Gbps)	WP515-B × 1 & SH343-A × 4	5524260-A	Not applied	DKC	10-5
		WP515-D × 1 & SH343-B × 4	5524260-C	Applied		
6	MF Fibre 8-port CHA ASSY (Short wave 1-4Gbps)	WP514-E × 1 & SH343-B × 4	5524248-C	Applied	DKC	10-25
7	MF Fibre 8-port CHA ASSY (Long wave 1-4Gbps/10km)	WP514-F × 1 & SH343-B × 4	5524250-C	Applied	DKC	10-26
8	MF Fibre 8-port CHA ASSY (Long wave 1-4Gbps/4km)	WP514-H × 1 & SH343-B × 4	5535337-C	Applied	DKC	10-27
9	Fibre 4-port CHA ASSY (Short wave 1-2Gbps)	WP513-E × 1 & SH343-B × 2	5524281-C	Applied	DKC	10-6

(To be continued)

(Continued from preceding page)

No.	Part Name	Part Number	RoHS	Unit	Corresponding List and Index Number	
10	Fibre 8-port CHA ASSY (Short wave 1-2Gbps)	WP513-A × 1 & SH343-A × 2	5524257-A	Not applied	DKC	10-7
		WP513-C × 1 & SH343-B × 2	5524257-C	Applied		
11	Fibre 16-port CHA ASSY (Short wave 1-2Gbps)	WP513-B × 1 & SH343-A × 4	5524258-A	Not applied	DKC	10-8
		WP513-D × 1 & SH343-B × 4	5524258-C	Applied		
12	NAS 4-port CHA ASSY	WP517-A × 1 & SH343-A × 1	5524264-A	Not applied	DKC	10-9
		WP517-C × 1 & SH343-B × 1	5524264-C	Applied		

(To be continued)

(Continued from preceding page)

No.	Part Name		Part Number	RoHS	Unit	Corresponding List and Index Number	
13	iSCSI 4-port CHA ASSY	WP516-B × 1 & SH343-B × 2	5524265-C	Applied	DKC	10-10	
14	Fibre SFP Transceiver (Short)		5524229-A	Not applied	DKC	—	
			5524229-C	Applied			
15	Fibre SFP Transceiver (Long)		5524230-A	Not applied	DKC	—	
			5524230-C	Applied			
16	Fibre 16-port CHA ASSY (Short wave 1-4Gbps)	WP518-D × 1 & SH343-B × 4	5524268-C	Applied	DKC	10-20	
17	Fibre 4-port CHA ASSY (Short wave 1-4Gbps)	WP518-G × 1 & SH343-B × 2	5524282-C	Applied	DKC	10-22	
18	Fibre 8-port CHA ASSY (Short wave 1-4Gbps)	WP518-E × 1 & SH343-B × 2	5524222-C	Applied	DKC	10-23	
19	Fibre 16-port CHA ASSY (Short wave 1-4Gbps)	WP518-F × 1 & SH343-B × 4	5524228-C	Applied	DKC	10-24	
20	Fibre SFP Transceiver (Short 1-4Gbps)		5524231-C	Applied	DKC	—	
21	Fibre SFP Transceiver (Long 1-4Gbps)		5524234-C	Applied	DKC	—	
22	Fibre SFP Transceiver (Long 1-4Gbps/4km)		5535335-C	Applied	DKC	—	
23	DKA ASSY		WP520-A × 1 & SH343-A × 4	5524255-A	Not applied	DKC	10-11
			WP520-C × 1 & SH343-B × 4	5524255-C	Applied		
24	CACHE		WP541-A P/K ASSY	5524251-A	Not applied	DKC	10-12
			WP541-B P/K ASSY	5524251-C	Applied		
				5524246-C			
25	SM-1		WP551-A P/K ASSY	5524252-A	Not applied	DKC	10-13
			WP551-B P/K ASSY	5524252-C	Applied		
26	SM-2		WP552-A P/K ASSY	5524253-A	Not applied	DKC	10-14
			WP552-B P/K ASSY	5524253-C	Applied		
27	CSW		WP530-A P/K ASSY	5524249-A	Not applied	DKC	10-15
			WP530-B P/K ASSY	5524249-C	Applied		
28	CM-DIMM (Cache Memory Module)		SH342-A P/K ASSY	5524236-A	Not applied	DKC	10-16
			SH342-C P/K ASSY	5524236-C	Applied		
			SH342-D P/K ASSY	5524242-C	Applied		
29	SM-DIMM (Shared Memory Module)		SH341-A P/K ASSY	5524235-A	Not applied	DKC	10-17
			SH341-C P/K ASSY	5524235-C	Applied		
			SH341-D P/K ASSY	5524237-C	Applied		

(To be continued)

Note: Refer to the Battery Management (See to [PARTS06-130](#)).

(Continued from preceding page)

No.	Part Name	Part Number	RoHS	Unit	Corresponding List and Index Number	
30	AC BOX	1 Phase/30A	5524217-A	Not applied	DKC, DKU	2-28, 7-8
		1 Phase/30A	5524217-C	Applied		
31	AC BOX	1 Phase/50A	5524218-A	Not applied	DKC, DKU	2-28, 7-8
		1 Phase/50A	5524218-C	Applied		
32	AC BOX	3 Phase/30A	5524216-A	Not applied	DKC, DKU	2-28, 7-8
		3 Phase/30A	5524216-C	Applied		
33	DKCPS	HS1950 / PPD1950	5524220-A	Not applied	DKC	7-2, 7-39
		HS1950 / PPD1950	5524220-C	Applied		
34	THERMOSTAT ASSY (TH ASSY)		5524226-A	Not applied	DKC	7-7
			5524226-C	Applied		
35	BATTERY BOX (Note)	PPH700	5524219-A	Not applied	DKC, DKU	2-26, 7-26, 7-38
		PPH700	5524219-C	Applied		
36	DKC FAN ASSY		5524223-A	Not applied	DKC	7-5
			5524223-C	Applied		
37	HDD FAN ASSY		5524224-A	Not applied	DKC, DKU	1-15, 7-6
			5524224-C	Applied		
38	EPO ASSY		5524225-A	Not applied	DKC	—
			5524225-C	Applied		
39	SVP	HJ-4200-60EEA	5524211-A	Not applied	DKC	7-22, 23
			5524211-C	Applied		
40	MODEM CARD (LAN & MODEM CARD)	3CXFEM656C	5524212-A	Not applied	DKC	—
		ME5614CG3	5524212-C	Applied		
41	SSVP	SH351-A P/K ASSY	5524238-A	Not applied	DKC	7-28, 10-18
		SH351-B P/K ASSY	5524238-C	Applied		
42	DKCMN	SH353-A P/K ASSY	5524239-A	Not applied	DKC	7-27, 10-19
		SH353-B P/K ASSY	5524239-C	Applied		
43	DKC PNL	SH354-A P/K ASSY	5524240-A	Not applied	DKC	8-1
		SH354-B P/K ASSY	5524240-C	Applied		
44	PCI CON	SH355-A P/K ASSY	5524241-A	Not applied	DKC	7-37
		SH355-B P/K ASSY	5524241-C	Applied		
45	DKU PS	HS2950 / PPD2950	5524221-A	Not applied	DKU	2-5
		HS2950 / PPD2950	5524221-C	Applied		
46	FSW-A	SH358-A P/K ASSY	5524243-A	Not applied	DKC, DKU	2-6, 2-29, 7-36
		SH358-C P/K ASSY	5524243-C	Applied		
47	ALPA	SH360-A P/K ASSY	5524245-A	Not applied	DKU	2-4, 2-30
		SH360-B P/K ASSY	5524245-C	Applied		

(To be continued)

(Continued from preceding page)

No.	Part Name		Part Number	RoHS	Unit	Corresponding List and Index Number
48	HDU500-72JSFC	DKR2F-J72FC	5524274-D	Applied	DKC, DKU	2-10, 7-31
		DKR2G-J72FD				
		DKR2J-J72FD				
		DKR2x-J72Fx (*2)				
49 (*1)	HDU500-72KSFC	DKS2C-K72FC	5524271-A	Not applied	DKC, DKU	2-10, 7-31
		DKS2D-K72FC	5524271-D	Applied		
		DKS2E-K72FC				
		DKS2F-K72FD				
		DKS2G-K72FD				
		DKS2x-K72Fx (*2)				
	HDU500-72K1FC	DKS2D-K72FC	5524271-E	Applied		
		DKS2E-K72FC				
		DKS2F-K72FD				
		DKS2G-K72FD				
		DKS2x-K72Fx (*2)				
	HDU500-72K2FC	DKR2F-K72FC	5524271-F	Applied		
DKR2G-K72FC						
DKR2J-J72FD						
DKR2x-K72Fx (*2)						
50 (*1)	HDU500-146JSFC	DKR2E-J146FC	5524269-A	Not applied	DKC, DKU	2-10, 7-31
		DKR2F-J146FC	5524269-D	Applied		
		DKR2F-J146FC				
		DKR2G-J146FC				
		DKR2J-J146FD				
		DKR2x-J146Fx (*2)				
	HDU500-146J1FC	DKR2F-J146FC			5524269-E	Applied
		DKR2G-J146FC				
		DKR2J-J146FD				
		DKR2x-J146Fx (*2)				
	HDU500-146J2FC	DKS2D-J146FC	5524269-F	Applied		
		DKS2E-J146FD				
DKS2G-J146FD						
DKS2x-J146Fx (*2)						

(To be continued)

(Continued from preceding page)

No.	Part Name		Part Number	RoHS	Unit	Corresponding List and Index Number
51 (*1)	HDU500-146KSFC	DKS2D-K146FC	5524272-D	Applied	DKC, DKU	2-10, 7-31
		DKS2E-K146FC				
		DKS2F-K146FC				
		DKS2G-K146FD				
		DKS2x-K146Fx (*2)				
	HDU500-146K1FC	DKS2D-K146FC	5524272-E	Applied		
		DKS2E-K146FC				
		DKS2F-K146FC				
		DKS2G-K146FD				
		DKS2x-K146Fx (*2)				
	HDU500-146K2FC	DKR2F-K146FC	5524272-F	Applied		
		DKR2G-K146FC				
		DKR2J-K146FD				
		DKR2x-K146Fx (*2)				
	52 (*1)	HDU500-300JSFC	DKR2F-J300FC	5524270-D	Applied	DKC, DKU
DKR2G-J300FC						
DKR2J-J300FC						
DKR2x-J300Fx (*2)						
HDU500-300J1FC		DKR2F-J300FC	5524270-E	Applied		
		DKR2G-J300FC				
		DKR2J-J300FC				
		DKR2x-J300Fx (*2)				
HDU500-300J2FC		DKS2D-J300FC	5524270-F	Applied		
		DKS2E-J300FC				
		DKS2G-J300FC				
		DKS2x-J300Fx (*2)				
53 (*1)	HDU500-300KSFC	DKS2E-K300FC	5524276-D	Applied	DKC, DKU	2-10, 7-31
		DKS2F-K300FC				
		DKS2G-K300FC				
		DKS2x-K300Fx (*2)				
	HDU500-300K1FC	DKS2E-K300FC	5524276-E	Applied		
		DKS2F-K300FC				
		DKS2G-K300FC				
		DKS2x-K300Fx (*2)				
	HDU500-300K2FC	DKR2G-K300FC	5524276-F	Applied		
		DKR2H-K300FC				
		DKR2J-K300FC				
		DKR2x-K300Fx (*2)				

(To be continued)

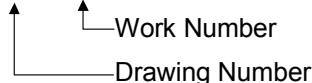
(Continued from preceding page)

No.	Part Name		Part Number	RoHS	Unit	Corresponding List and Index Number
54 (*1)	HDU500-400JSFC	DKS2E-J400FC	5524277-D	Applied	DKC, DKU	—
		DKS2G-J400FD				
		DKS2x-J400Fx (*2)				
	HDU500-400J1FC	DKS2E-J400FC	5524277-E	Applied		2-10, 7-31
		DKS2G-J400FD				
		DKS2x-J400Fx (*2)				

(To be continued)

*1: When HDD Canister is replaced, the spare parts that can be used differ depending on Work number even though Drawing number of Part number is the same.

[Note] Part Number: 5524269-A



The spare parts that can be used for HDS

<for 5524269-x and 5524270-x>

- 5524xxx-A, D, E can be used for the spare parts of Part Number 5524xxx-A.
- 5524xxx-D, E can be used for the spare parts of Part Number 5524xxx-D.
- 5524xxx-D, E can be used for the spare parts of Part Number 5524xxx-E.
- Only 5524xxx-F can be used for the spare parts of Part Number 5524xxx-F.

<for 5524271-x and 5524272-x>

- 5524xxx-A, D, E can be used for the spare parts of Part Number 5524xxx-A.
- 5524xxx-D, E can be used for the spare parts of Part Number 5524xxx-D.
- 5524xxx-D, E can be used for the spare parts of Part Number 5524xxx-E.
- Only 5524xxx-F can be used for the spare parts of Part Number 5524xxx-F.

<for 5524276-x>

- 5524276-E can be used for the spare parts of Part Number 5524276-E.
- 5524276-F can be used for the spare parts of Part Number 5524276-F.

<for 5524277-x>

- 5524277-E can be used for the spare parts of Part Number 5524277-E.

The spare parts that can be used for HP

- 5524xxx-A, D can be used for the spare parts of Part Number 5524xxx-A.
- 5524xxx-D can be used for the spare parts of Part Number 5524xxx-D.
- 5524xxx-D can be used for the spare parts of Part Number 5524xxx-E.
- 5524xxx-D can be used for the spare parts of Part Number 5524xxx-F.

*2: This drive model name shows the compatible drive.

(Continued from preceding page)

No.	Part Name		Part Number	RoHS	Unit	Corresponding List and Index Number
55	DEV I/F Cable (R10C)	1F-A1 to FC-0L-B1, 1F-A2 to FC-0L-A1	5524338-A	Not applied	DKC	11-47
	DEV I/F Cable (R10CR)	1F-A1 to FC-0L-B1, 1F-A2 to FC-0L-A1	5526389-A	Applied		12-47
56	DEV I/F Cable (R10C)	1F-A4 to FC-4L-B1, 1F-A3 to FC-4L-A1	5524338-B	Not applied	DKC	11-48
	DEV I/F Cable (R10CR)	1F-A4 to FC-4L-B1, 1F-A3 to FC-4L-A1	5526389-B	Applied		12-48
57	DEV I/F Cable (R10C)	1F-A5 to FC-1L-A1	5524338-C	Not applied	DKC	11-49
	DEV I/F Cable (R10CR)	1F-A5 to FC-1L-A1	5526389-C	Applied		12-49
58	DEV I/F Cable (R10C)	1F-A6 to FC-5L-A1	5524338-D	Not applied	DKC	11-50
	DEV I/F Cable (R10CR)	1F-A6 to FC-5L-A1	5526389-D	Applied		12-50
59	DEV I/F Cable (R10C)	1F-A7 to FC-2L-B1, 1F-A8 to FC-2L-A1	5524338-E	Not applied	DKC	11-51
	DEV I/F Cable (R10CR)	1F-A7 to FC-2L-B1, 1F-A8 to FC-2L-A1	5526389-E	Applied		12-51
60	DEV I/F Cable (R10C)	1F-A10 to FC-6L-B1, 1F-A9 to FC-6L-A1	5524338-F	Not applied	DKC	11-52
	DEV I/F Cable (R10CR)	1F-A10 to FC-6L-B1, 1F-A9 to FC-6L-A1	5526389-F	Applied		12-52
61	DEV I/F Cable (R10C)	1F-A11 to FC-3L-A1	5524338-G	Not applied	DKC	11-53
	DEV I/F Cable (R10CR)	1F-A11 to FC-3L-A1	5526389-G	Applied		12-53
62	DEV I/F Cable (R10C)	1F-A12 to FC-7L-A1	5524338-H	Not applied	DKC	11-54
	DEV I/F Cable (R10CR)	1F-A12 to FC-7L-A1	5526389-H	Applied		12-54
63	DEV I/F Cable (R10C)	2R-M1 to FC-0U-B1, 2R-M2 to FC-0U-A1	5524338-J	Not applied	DKC	11-55
	DEV I/F Cable (R10CR)	2R-M1 to FC-0U-B1, 2R-M2 to FC-0U-A1	5526389-J	Applied		12-55

(To be continued)

(Continued from preceding page)

No.	Part Name		Part Number	RoHS	Unit	Corresponding List and Index Number
64	DEV I/F Cable (R10C)	2R-M4 to FC-4U-B1, 2R-M3 to FC-4U-A1	5524338-K	Not applied	DKC	11-56
	DEV I/F Cable (R10CR)	2R-M4 to FC-4U-B1, 2R-M3 to FC-4U-A1	5526389-K	Applied		12-56
65	DEV I/F Cable (R10C)	2R-M5 to FC-1U-A1	5524338-L	Not applied	DKC	11-57
	DEV I/F Cable (R10CR)	2R-M5 to FC-1U-A1	5526389-L	Applied		12-57
66	DEV I/F Cable (R10C)	2R-M6 to FC-5U-A1	5524338-M	Not applied	DKC	11-58
	DEV I/F Cable (R10CR)	2R-M6 to FC-5U-A1	5526389-M	Applied		12-58
67	DEV I/F Cable (R10C)	2R-M7 to FC-2U-B1, 2R-M8 to FC-2U-A1	5524338-N	Not applied	DKC	11-59
	DEV I/F Cable (R10CR)	2R-M7 to FC-2U-B1, 2R-M8 to FC-2U-A1	5526389-N	Applied		12-59
68	DEV I/F Cable (R10C)	2R-M10 to FC-6U-B1, 2R-M9 to FC-6U-A1	5524338-P	Not applied	DKC	11-60
	DEV I/F Cable (R10CR)	2R-M10 to FC-6U-B1, 2R-M9 to FC-6U-A1	5526389-P	Applied		12-60
69	DEV I/F Cable (R10C)	2R-M11 to FC-3U-A1	5524338-Q	Not applied	DKC	11-61
	DEV I/F Cable (R10CR)	2R-M11 to FC-3U-A1	5526389-Q	Applied		12-61
70	DEV I/F Cable (R10C)	2R-M12 to FC-7U-A1	5524338-R	Not applied	DKC	11-62
	DEV I/F Cable (R10CR)	2R-M12 to FC-7U-A1	5526389-R	Applied		12-62
71	DEV I/F Cable (R11C)	FC-0L-A2 to 0L-A1, FC-0L-B2 to 0L-B1	5524339-A	Not applied	DKC- DKU	11-63
	DEV I/F Cable (R11CR)	FC-0L-A2 to 0L-A1, FC-0L-B2 to 0L-B1	5526390-A	Applied		12-63
72	DEV I/F Cable (R11C)	FC-1L-A2 to 1L-A1	5524339-B	Not applied	DKC- DKU	11-64
	DEV I/F Cable (R11CR)	FC-1L-A2 to 1L-A1	5526390-B	Applied		12-64
73	DEV I/F Cable (R11C)	FC-4L-A2 to 4L-A1, FC-4L-B2 to 4L-B1	5524339-C	Not applied	DKC- DKU	11-65
	DEV I/F Cable (R11CR)	FC-4L-A2 to 4L-A1, FC-4L-B2 to 4L-B1	5526390-C	Applied		12-65
74	DEV I/F Cable (R11C)	FC-5L-A2 to 5L-A1	5524339-D	Not applied	DKC- DKU	11-66
	DEV I/F Cable (R11CR)	FC-5L-A2 to 5L-A1	5526390-D	Applied		12-66
75	DEV I/F Cable (R11C)	FC-2L-A2 to 2L-A1, FC-2L-B2 to 2L-B1	5524339-E	Not applied	DKC- DKU	11-67
	DEV I/F Cable (R11CR)	FC-2L-A2 to 2L-A1, FC-2L-B2 to 2L-B1	5526390-E	Applied		12-67
76	DEV I/F Cable (R11C)	FC-3L-A2 to 3L-A1	5524339-F	Not applied	DKC- DKU	11-68
	DEV I/F Cable (R11CR)	FC-3L-A2 to 3L-A1	5526390-F	Applied		12-68

(To be continued)

(Continued from preceding page)

No.	Part Name		Part Number	RoHS	Unit	Corresponding List and Index Number
77	DEV I/F Cable (R11C)	FC-6L-A2 to 6L-A1, FC-6L-B2 to 6L-B1	5524339-G	Not applied	DKC- DKU	11-69
	DEV I/F Cable (R11CR)	FC-6L-A2 to 6L-A1, FC-6L-B2 to 6L-B1	5526390-G	Applied		12-69
78	DEV I/F Cable (R11C)	FC-7L-A2 to 7L-A1	5524339-H	Not applied	DKC- DKU	11-70
	DEV I/F Cable (R11CR)	FC-7L-A2 to 7L-A1	5526390-H	Applied		12-70
79	DEV I/F Cable (R11C)	FC-0U-A2 to 0U-A1, FC-0U-B2 to 0U-B1	5524339-J	Not applied	DKC- DKU	11-71
	DEV I/F Cable (R11CR)	FC-0U-A2 to 0U-A1, FC-0U-B2 to 0U-B1	5526390-J	Applied		12-71
80	DEV I/F Cable (R11C)	FC-1U-A2 to 1U-A1	5524339-K	Not applied	DKC- DKU	11-72
	DEV I/F Cable (R11CR)	FC-1U-A2 to 1U-A1	5526390-K	Applied		12-72
81	DEV I/F Cable (R11C)	FC-4U-A2 to 4U-A1, FC-4U-B2 to 4U-B1	5524339-L	Not applied	DKC- DKU	11-73
	DEV I/F Cable (R11CR)	FC-4U-A2 to 4U-A1, FC-4U-B2 to 4U-B1	5526390-L	Applied		12-73
82	DEV I/F Cable (R11C)	FC-5U-A2 to 5U-A1	5524339-M	Not applied	DKC- DKU	11-74
	DEV I/F Cable (R11CR)	FC-5U-A2 to 5U-A1	5526390-M	Applied		12-74
83	DEV I/F Cable (R11C)	FC-2U-A2 to 2U-A1, FC-2U-B2 to 2U-B1	5524339-N	Not applied	DKC- DKU	11-75
	DEV I/F Cable (R11CR)	FC-2U-A2 to 2U-A1, FC-2U-B2 to 2U-B1	5526390-N	Applied		12-75
84	DEV I/F Cable (R11C)	FC-3U-A2 to 3U-A1	5524339-P	Not applied	DKC- DKU	11-76
	DEV I/F Cable (R11CR)	FC-3U-A2 to 3U-A1	5526390-P	Applied		12-76
85	DEV I/F Cable (R11C)	FC-6U-A2 to 6U-A1, FC-6U-B2 to 6U-B1	5524339-Q	Not applied	DKC- DKU	11-77
	DEV I/F Cable (R11CR)	FC-6U-A2 to 6U-A1, FC-6U-B2 to 6U-B1	5526390-Q	Applied		12-77
86	DEV I/F Cable (R11C)	FC-7U-A2 to 7U-A1	5524339-R	Not applied	DKC- DKU	11-78
	DEV I/F Cable (R11CR)	FC-7U-A2 to 7U-A1	5526390-R	Applied		12-78
87	DEV I/F Cable (R12C)	1F-B1 to 8L-B1, 1F-B2 to 8L-A1	5524340-A	Not applied	DKC- DKU	11-79
	DEV I/F Cable (R12CR)	1F-B1 to 8L-B1, 1F-B2 to 8L-A1	5526391-A	Applied		12-79
88	DEV I/F Cable (R12C)	1F-B4 to CL-B1, 1F-B3 to CL-A1	5524340-B	Not applied	DKC- DKU	11-80
	DEV I/F Cable (R12CR)	1F-B4 to CL-B1, 1F-B3 to CL-A1	5526391-B	Applied		12-80

(To be continued)

(Continued from preceding page)

No.	Part Name		Part Number	RoHS	Unit	Corresponding List and Index Number
89	DEV I/F Cable (R12C)	1F-B5 to 9L-A1	5524340-C	Not applied	DKC-	11-81
	DEV I/F Cable (R12CR)	1F-B5 to 9L-A1	5526391-C	Applied	DKU	12-81
90	DEV I/F Cable (R12C)	1F-B6 to DL-A1	5524340-D	Not applied	DKC-	11-82
	DEV I/F Cable (R12CR)	1F-B6 to DL-A1	5526391-D	Applied	DKU	12-82
91	DEV I/F Cable (R12C)	1F-B7 to AL-B1, 1F-B8 to AL-A1	5524340-E	Not applied	DKC- DKU	11-83
	DEV I/F Cable (R12CR)	1F-B7 to AL-B1, 1F-B8 to AL-A1	5526391-E	Applied		12-83
92	DEV I/F Cable (R12C)	1F-B10 to EL-B1, 1F-B9 to EL-A1	5524340-F	Not applied	DKC- DKU	11-84
	DEV I/F Cable (R12CR)	1F-B10 to EL-B1, 1F-B9 to EL-A1	5526391-F	Applied		12-84
93	DEV I/F Cable (R12C)	1F-B11 to BL-A1	5524340-G	Not applied	DKC-	11-85
	DEV I/F Cable (R12CR)	1F-B11 to BL-A1	5526391-G	Applied	DKU	12-85
94	DEV I/F Cable (R12C)	1F-B12 to FL-A1	5524340-H	Not applied	DKC-	11-86
	DEV I/F Cable (R12CR)	1F-B12 to FL-A1	5526391-H	Applied	DKU	12-86
95	DEV I/F Cable (R12C)	2R-N1 to 8U-B1, 2R-N2 to 8U-A1	5524340-J	Not applied	DKC- DKU	11-87
	DEV I/F Cable (R12CR)	2R-N1 to 8U-B1, 2R-N2 to 8U-A1	5526391-J	Applied		12-87
96	DEV I/F Cable (R12C)	2R-N4 to CU-B1, 2R-N3 to CU-A1	5524340-K	Not applied	DKC- DKU	11-88
	DEV I/F Cable (R12CR)	2R-N4 to CU-B1, 2R-N3 to CU-A1	5526391-K	Applied		12-88
97	DEV I/F Cable (R12C)	2R-N5 to 9U-A1	5524340-L	Not applied	DKC-	11-89
	DEV I/F Cable (R12CR)	2R-N5 to 9U-A1	5526391-L	Applied	DKU	12-89
98	DEV I/F Cable (R12C)	2R-N6 to DU-A1	5524340-M	Not applied	DKC-	11-90
	DEV I/F Cable (R12CR)	2R-N6 to DU-A1	5526391-M	Applied	DKU	12-90
99	DEV I/F Cable (R12C)	2R-N7 to AU-B1, 2R-N8 to AU-A1	5524340-N	Not applied	DKC- DKU	11-91
	DEV I/F Cable (R12CR)	2R-N7 to AU-B1, 2R-N8 to AU-A1	5526391-N	Applied		12-91
100	DEV I/F Cable (R12C)	2R-N10 to EU-B1, 2R-N9 to EU-A1	5524340-P	Not applied	DKC- DKU	11-92
	DEV I/F Cable (R12CR)	2R-N10 to EU-B1, 2R-N9 to EU-A1	5526391-P	Applied		12-92

(To be continued)

(Continued from preceding page)

No.	Part Name		Part Number	RoHS	Unit	Corresponding List and Index Number
101	DEV I/F Cable (R12C)	2R-N11 to BU-A1	5524340-Q	Not applied	DKC-	11-93
	DEV I/F Cable (R12CR)	2R-N11 to BU-A1	5526391-Q	Applied	DKU	12-93
102	DEV I/F Cable (R12C)	2R-N12 to FU-A1	5524340-R	Not applied	DKC-	11-94
	DEV I/F Cable (R12CR)	2R-N12 to FU-A1	5526391-R	Applied	DKU	12-94
103	DEV I/F Cable (L11C)	1F-L1 to 0L-B1, 1F-L2 to 0L-A1	5524341-A	Not applied	DKC- DKU	11-95
	DEV I/F Cable (L11CR)	1F-L1 to 0L-B1, 1F-L2 to 0L-A1	5526392-A	Applied		12-95
104	DEV I/F Cable (L11C)	1F-L4 to 4L-B1, 1F-L3 to 4L-A1	5524341-B	Not applied	DKC- DKU	11-96
	DEV I/F Cable (L11CR)	1F-L4 to 4L-B1, 1F-L3 to 4L-A1	5526392-B	Applied		12-96
105	DEV I/F Cable (L11C)	1F-L5 to 1L-A1	5524341-C	Not applied	DKC-	11-97
	DEV I/F Cable (L11CR)	1F-L5 to 1L-A1	5526392-C	Applied	DKU	12-97
106	DEV I/F Cable (L11C)	1F-L6 to 5L-A1	5524341-D	Not applied	DKC-	11-98
	DEV I/F Cable (L11CR)	1F-L6 to 5L-A1	5526392-D	Applied	DKU	12-98
107	DEV I/F Cable (L11C)	1F-L7 to 2L-B1, 1F-L8 to 2L-A1	5524341-E	Not applied	DKC- DKU	11-99
	DEV I/F Cable (L11CR)	1F-L7 to 2L-B1, 1F-L8 to 2L-A1	5526392-E	Applied		12-99
108	DEV I/F Cable (L11C)	1F-L10 to 6L-B1, 1F-L9 to 6L-A1	5524341-F	Not applied	DKC- DKU	11-100
	DEV I/F Cable (L11CR)	1F-L10 to 6L-B1, 1F-L9 to 6L-A1	5526392-F	Applied		12-100
109	DEV I/F Cable (L11C)	1F-L11 to 3L-A1	5524341-G	Not applied	DKC-	11-101
	DEV I/F Cable (L11CR)	1F-L11 to 3L-A1	5526392-G	Applied	DKU	12-101
110	DEV I/F Cable (L11C)	1F-L12 to 7L-A1	5524341-H	Not applied	DKC-	11-102
	DEV I/F Cable (L11CR)	1F-L12 to 7L-A1	5526392-H	Applied	DKU	12-102
111	DEV I/F Cable (L11C)	2R-X1 to 0U-B1, 2R-X2 to 0U-A1	5524341-J	Not applied	DKC- DKU	11-103
	DEV I/F Cable (L11CR)	2R-X1 to 0U-B1, 2R-X2 to 0U-A1	5526392-J	Applied		12-103
112	DEV I/F Cable (L11C)	2R-X4 to 4U-B1, 2R-X3 to 4U-A1	5524341-K	Not applied	DKC- DKU	11-104
	DEV I/F Cable (L11CR)	2R-X4 to 4U-B1, 2R-X3 to 4U-A1	5526392-K	Applied		12-104

(To be continued)

(Continued from preceding page)

No.	Part Name		Part Number	RoHS	Unit	Corresponding List and Index Number
113	DEV I/F Cable (L11C)	2R-X5 to 1U-A1	5524341-L	Not applied	DKC-	11-105
	DEV I/F Cable (L11CR)	2R-X5 to 1U-A1	5526392-L	Applied	DKU	12-105
114	DEV I/F Cable (L11C)	2R-X6 to 5U-A1	5524341-M	Not applied	DKC-	11-106
	DEV I/F Cable (L11CR)	2R-X6 to 5U-A1	5526392-M	Applied	DKU	12-106
115	DEV I/F Cable (L11C)	2R-X7 to 2U-B1, 2R-X8 to 2U-A1	5524341-N	Not applied	DKC- DKU	11-107
	DEV I/F Cable (L11CR)	2R-X7 to 2U-B1, 2R-X8 to 2U-A1	5526392-N	Applied		12-107
116	DEV I/F Cable (L11C)	2R-X10 to 6U-B1, 2R-X9 to 6U-A1	5524341-P	Not applied	DKC- DKU	11-108
	DEV I/F Cable (L11CR)	2R-X10 to 6U-B1, 2R-X9 to 6U-A1	5526392-P	Applied		12-108
117	DEV I/F Cable (L11C)	2R-X11 to 3U-A1	5524341-Q	Not applied	DKC-	11-109
	DEV I/F Cable (L11CR)	2R-X11 to 3U-A1	5526392-Q	Applied	DKU	12-109
118	DEV I/F Cable (L11C)	2R-X12 to 7U-A1	5524341-R	Not applied	DKC-	11-110
	DEV I/F Cable (L11CR)	2R-X12 to 7U-A1	5526392-R	Applied	DKU	12-110
119	DEV I/F Cable (L12C)	1F-K1 to 8L-B1, 1F-K2 to 8L-A1	5524342-A	Not applied	DKC- DKU	11-111
	DEV I/F Cable (L12CR)	1F-K1 to 8L-B1, 1F-K2 to 8L-A1	5526393-A	Applied		12-111
120	DEV I/F Cable (L12C)	1F-K4 to CL-B1, 1F-K3 to CL-A1	5524342-B	Not applied	DKC- DKU	11-112
	DEV I/F Cable (L12CR)	1F-K4 to CL-B1, 1F-K3 to CL-A1	5526393-B	Applied		12-112
121	DEV I/F Cable (L12C)	1F-K5 to 9L-A1	5524342-C	Not applied	DKC-	11-113
	DEV I/F Cable (L12CR)	1F-K5 to 9L-A1	5526393-C	Applied	DKU	12-113
122	DEV I/F Cable (L12C)	1F-K6 to DL-A1	5524342-D	Not applied	DKC-	11-114
	DEV I/F Cable (L12CR)	1F-K6 to DL-A1	5526393-D	Applied	DKU	12-114
123	DEV I/F Cable (L12C)	1F-K7 to AL-B1, 1F-K8 to AL-A1	5524342-E	Not applied	DKC- DKU	11-115
	DEV I/F Cable (L12CR)	1F-K7 to AL-B1, 1F-K8 to AL-A1	5526393-E	Applied		12-115
124	DEV I/F Cable (L12C)	1F-K10 to EL-B1, 1F-K9 to EL-A1	5524342-F	Not applied	DKC- DKU	11-116
	DEV I/F Cable (L12CR)	1F-K10 to EL-B1, 1F-K9 to EL-A1	5526393-F	Applied		12-116

(To be continued)

(Continued from preceding page)

No.	Part Name		Part Number	RoHS	Unit	Corresponding List and Index Number
125	DEV I/F Cable (L12C)	1F-K11 to BL-A1	5524342-G	Not applied	DKC-	11-117
	DEV I/F Cable (L12CR)	1F-K11 to BL-A1	5526393-G	Applied	DKU	12-117
126	DEV I/F Cable (L12C)	1F-K12 to FL-A1	5524342-H	Not applied	DKC-	11-118
	DEV I/F Cable (L12CR)	1F-K12 to FL-A1	5526393-H	Applied	DKU	12-118
127	DEV I/F Cable (L12C)	2R-W1 to 8U-B1, 2R-W2 to 8U-A1	5524342-J	Not applied	DKC- DKU	11-119
	DEV I/F Cable (L12CR)	2R-W1 to 8U-B1, 2R-W2 to 8U-A1	5526393-J	Applied		12-119
128	DEV I/F Cable (L12C)	2R-W4 to CU-B1, 2R-W3 to CU-A1	5524342-K	Not applied	DKC- DKU	11-120
	DEV I/F Cable (L12CR)	2R-W4 to CU-B1, 2R-W3 to CU-A1	5526393-K	Applied		12-120
129	DEV I/F Cable (L12C)	2R-W5 to 9U-A1	5524342-L	Not applied	DKC-	11-121
	DEV I/F Cable (L12CR)	2R-W5 to 9U-A1	5526393-L	Applied	DKU	12-121
130	DEV I/F Cable (L12C)	2R-W6 to DU-A1	5524342-M	Not applied	DKC-	11-122
	DEV I/F Cable (L12CR)	2R-W6 to DU-A1	5526393-M	Applied	DKU	12-122
131	DEV I/F Cable (L12C)	2R-W7 to AU-B1, 2R-W8 to AU-A1	5524342-N	Not applied	DKC- DKU	11-123
	DEV I/F Cable (L12CR)	2R-W7 to AU-B1, 2R-W8 to AU-A1	5526393-N	Applied		12-123
132	DEV I/F Cable (L12C)	2R-W10 to EU-B1, 2R-W9 to EU-A1	5524342-P	Not applied	DKC- DKU	11-124
	DEV I/F Cable (L12CR)	2R-W10 to EU-B1, 2R-W9 to EU-A1	5526393-P	Applied		12-124
133	DEV I/F Cable (L12C)	2R-W11 to BU-A1	5524342-Q	Not applied	DKC-	11-125
	DEV I/F Cable (L12CR)	2R-W11 to BU-A1	5526393-Q	Applied	DKU	12-125
134	DEV I/F Cable (L12C)	2R-W12 to FU-A1	5524342-R	Not applied	DKC-	11-126
	DEV I/F Cable (L12CR)	2R-W12 to FU-A1	5526393-R	Applied	DKU	12-126

(To be continued)

(Continued from preceding page)

No.	Part Name		Part Number	RoHS	Unit	Corresponding List and Index Number
135	DEV I/F Cable (EXC)	0L/8L-A2 to 0L/8L-A1, 0L/8L-B2 to 0L/8L-B1	5524343-A	Not applied	DKU-DKU	11-127
	DEV I/F Cable (EXCR)	0L/8L-A2 to 0L/8L-A1, 0L/8L-B2 to 0L/8L-B1	5526394-A	Applied		12-127
136	DEV I/F Cable (EXC)	1L/9L-A2 to 1L/9L-A1	5524343-B	Not applied	DKU-DKU	11-128
	DEV I/F Cable (EXCR)	1L/9L-A2 to 1L/9L-A1	5526394-B	Applied		12-128
137	DEV I/F Cable (EXC)	2L/AL-A2 to 2L/AL-A1, 2L/AL-B2 to 2L/AL-B1	5524343-C	Not applied	DKU-DKU	11-129
	DEV I/F Cable (EXCR)	2L/AL-A2 to 2L/AL-A1, 2L/AL-B2 to 2L/AL-B1	5526394-C	Applied		12-129
138	DEV I/F Cable (EXC)	3L/BL-A2 to 3L/BL-A1	5524343-D	Not applied	DKU-DKU	11-130
	DEV I/F Cable (EXCR)	3L/BL-A2 to 3L/BL-A1	5526394-D	Applied		12-130
139	DEV I/F Cable (EXC)	4L/CL-A2 to 4L/CL-A1, 4L/CL-B2 to 4L/CL-B1	5524343-E	Not applied	DKU-DKU	11-131
	DEV I/F Cable (EXCR)	4L/CL-A2 to 4L/CL-A1, 4L/CL-B2 to 4L/CL-B1	5526394-E	Applied		12-131
140	DEV I/F Cable (EXC)	5L/DL-A2 to 5L/DL-A1	5524343-F	Not applied	DKU-DKU	11-132
	DEV I/F Cable (EXCR)	5L/DL-A2 to 5L/DL-A1	5526394-F	Applied		12-132
141	DEV I/F Cable (EXC)	6L/EL-A2 to 6L/EL-A1, 6L/EL-B2 to 6L/EL-B1	5524343-G	Not applied	DKU-DKU	11-133
	DEV I/F Cable (EXCR)	6L/EL-A2 to 6L/EL-A1, 6L/EL-B2 to 6L/EL-B1	5526394-G	Applied		12-133
142	DEV I/F Cable (EXC)	7L/FL-A2 to 7L/FL-A1	5524343-H	Not applied	DKU-DKU	11-134
	DEV I/F Cable (EXCR)	7L/FL-A2 to 7L/FL-A1	5526394-H	Applied		12-134
143	DEV I/F Cable (EXC)	0U/8U-A2 to 0U/8U-A1, 0U/8U-B2 to 0U/8U-B1	5524343-J	Not applied	DKU-DKU	11-135
	DEV I/F Cable (EXCR)	0U/8U-A2 to 0U/8U-A1, 0U/8U-B2 to 0U/8U-B1	5526394-J	Applied		12-135

(To be continued)

(Continued from preceding page)

No.	Part Name		Part Number	RoHS	Unit	Corresponding List and Index Number
144	DEV I/F Cable (EXC)	1U/9U-A2 to 1U/9U-A1	5524343-K	Not applied	DKU-DKU	11-136
	DEV I/F Cable (EXCR)	1U/9U-A2 to 1U/9U-A1	5526394-K	Applied		12-136
145	DEV I/F Cable (EXC)	2U/AU-A2 to 2U/AU-A1, 2U/AU-B2 to 2U/AU-B1	5524343-L	Not applied	DKU-DKU	11-137
	DEV I/F Cable (EXCR)	2U/AU-A2 to 2U/AU-A1, 2U/AU-B2 to 2U/AU-B1	5526394-L	Applied		12-137
146	DEV I/F Cable (EXC)	3U/BU-A2 to 3U/BU-A1	5524343-M	Not applied	DKU-DKU	11-138
	DEV I/F Cable (EXCR)	3U/BU-A2 to 3U/BU-A1	5526394-M	Applied		12-138
147	DEV I/F Cable (EXC)	4U/CU-A2 to 4U/CU-A1, 4U/CU-B2 to 4U/CU-B1	5524343-N	Not applied	DKU-DKU	11-139
	DEV I/F Cable (EXCR)	4U/CU-A2 to 4U/CU-A1, 4U/CU-B2 to 4U/CU-B1	5526394-N	Applied		12-139
148	DEV I/F Cable (EXC)	5U/DU-A2 to 5U/DU-A1	5524343-P	Not applied	DKU-DKU	11-140
	DEV I/F Cable (EXCR)	5U/DU-A2 to 5U/DU-A1	5526394-P	Applied		12-140
149	DEV I/F Cable (EXC)	6U/EU-A2 to 6U/EU-A1, 6U/EU-B2 to 6U/EU-B1	5524343-Q	Not applied	DKU-DKU	11-141
	DEV I/F Cable (EXCR)	6U/EU-A2 to 6U/EU-A1, 6U/EU-B2 to 6U/EU-B1	5526394-Q	Applied		12-141
150	DEV I/F Cable (EXC)	7U/FU-A2 to 7U/FU-A1	5524343-R	Not applied	DKU-DKU	11-142
	DEV I/F Cable (EXCR)	7U/FU-A2 to 7U/FU-A1	5526394-R	Applied		12-142
151	PC BREAKER BOX		5524214-A	Not applied	DKC	7-40
	PC BREAKER BOX		5524214-C	Applied		

Note : Battery Management

1. Batteries installed into an operating DKC/DKU, warehoused DKC/DKU or a combination

The batteries that are installed into a DKC/DKU that is in operation must be discarded when the DKC/DKU is de-installed and the batteries installed have greater than 4 months of operation. If the DKC/DKU is not de-installed but is in operation then the batteries must be replaced every 3 years per the Periodic Maintenance procedures. An exception would be one short install time of less than 4 months. Batteries need not be replaced if the combined short install and warehousing times when added together do not exceed 12 months. This is also provided the batteries are maintained per Battery Storage Mandatory Guidelines in below. Otherwise the batteries must be discarded.

2. Battery shelf life when used for spare parts

Batteries shipped from the factory for Spares inventory use have the date of the shipment indicated on the packing box. The shelf life of these batteries is one years duration from this stamped date. Batteries may be used as a spare replacement part anytime up to this 1 year period if maintained per Battery Storage Mandatory Guidelines in below.

3. Battery Storage Mandatory Guidelines for Temperature and Periodic Charging

All batteries in warehouse storage (either as spare parts or installed in a DKC/DKU) must receive a 24 hours charge every 6 months provided they are kept at a temperature below 25 Celsius. When the storage environment exceeds 25 Celsius but not 32 Celsius, the charge rate is increased to 24 hours charge every 3 months. When the storage environment exceeds 32 Celsius the batteries must be discarded. Battery charging can be accomplished in a DKC/DKU set up for charging purposes, or using a Battery Charger.

[Notes on Conformity to the RoHS]

Whether a subsystem conforms to the RoHS or not is judged from a model name of a DKC. When the DKC model name represents unconformity to the RoHS, the subsystem concerned does not conform to the RoHS and when it represents conformity to the RoHS, the subsystem concerned conforms to the RoHS.

(1) Subsystem that does not conform to the RoHS

When a DKC does not conform to the RoHS, the both “spare parts that conform to the RoHS” and “spare parts that do not conform to the RoHS” can be installed in the subsystem. However, when an optional part that conforms to the RoHS is replaced with a spare part, a “spare parts that do not conform to the RoHS” cannot be used.

Subsystem that does not conform to the RoHS

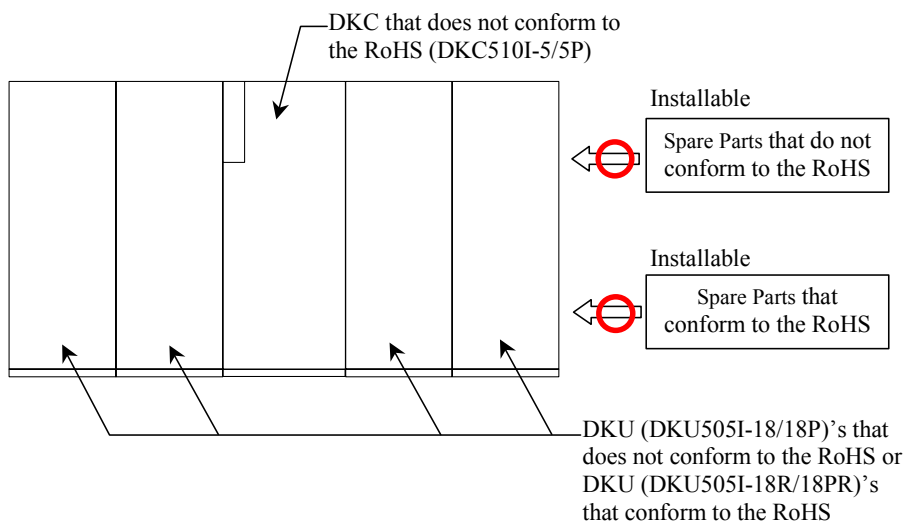


Fig. 6-1 Subsystem That Does Not Conform to RoHS

(2) Subsystem that conforms to the RoHS

When a DKC conforms to the RoHS, only “spare parts that conform to the RoHS” can be installed in the subsystem.

Subsystem that conforms to the RoHS

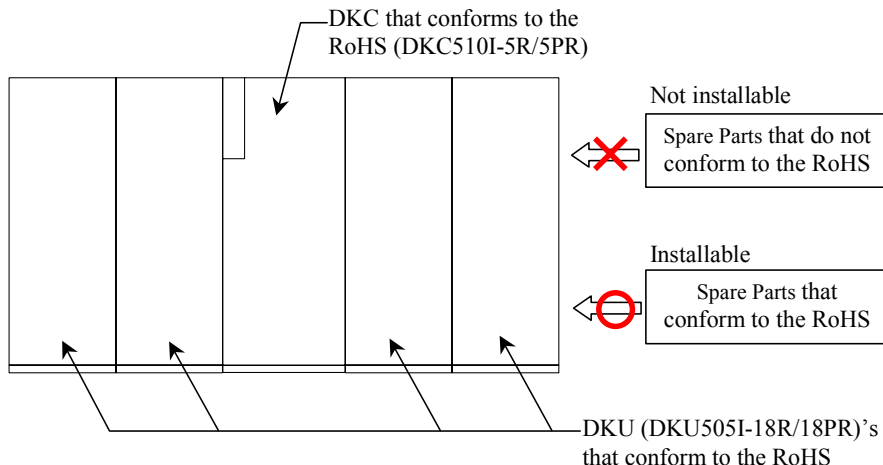


Fig. 6-2 Subsystem That Conforms to RoHS

7. Tool List

The following table shows the maintenance tools:

TOOL NAME	SPECIFICATION	REMARKS
Monkey wrench	100mm	Used for installation, maintenance, troubleshooting, and parts change.
Monkey wrench	300mm	
Hexagon wrench key set	1.27, 1.4, 1.58, 2.0, 2.5, 3.0, 4.0, 5.0, 6.0, 8.0mm	
Box driver set	4.0, 5.5, 6.0, 7.0, 8.0, 10.0mm	
Stubby driver set (PHILIPS TYPE)	No. 2 x 38	
Stubby driver set (PHILIPS TYPE)		
Screw driver set (STRAIGHT TYPE)		
Long screw driver (PHILIPS TYPE)	250mm (No.3) for M6 or M8	
Insulated cutting pliers	175mm	
Insulated radio pliers	150mm	
Insulated cutting nipper	150mm	
Pincette	125mm	
Soldering iron	25W	
Soldering iron	100W	
Wrapping tool		
Oscilloscope	200MHz	Used for inspection.
Digital voltmeter	AC, DC, OHM	

The following table shows the special tools:

Tool Name	Parts No.	Remarks
Fiber wraparound connector	5524208-A	For diagnostics for serial channel Interface
Torques driver	5480359-1	For replacement of SVP
Power supply check cable	3257488-A	For check of DC voltage
Insulated screw driver	5480302-1	For removing screw
Dust cover	5500729-1	For reduce the dust sticking to memory module socket
Air Spray (with Nozzle)	— *1	For Fibre connector cleaning
Ethyl Alcohol	— *1	For Fibre connector cleaning
Cut Gauze	— *1	For Fibre connector cleaning *The gauze material must be soft and strong for waste thread.
Dummy Canister	5524207-A	This must be inserted for all empty HDD slots to generate stable airflow inside the DKU frame for efficient cooling.
Cable routing tool	5524209-A	For installing Fibre-cable.
USB Memory	5529988-3	For replacement of FSW, CACHE, SM, CSW, DKA and CHAs
	5529989-A	

*1: RSD does not supply the above described Special Tools marked with '*1'.
Please try to purchase them locally.