

PARTS CATALOG SECTION

Contents

1 HOW TO USE PARTS CATALOG	PARTS01-10
2 PARTS LIST OF DKC465I	PARTS02-10
3 PARTS LIST OF PCB AND MEMORY MODULE	PARTS03-10
3.1 PCB LOCATION	PARTS03-10
3.2 SHARED MEMORY MODULE LOCATION	PARTS03-30
3.3 CACHE MEMORY MODULE LOCATION.....	PARTS03-40
3.4 PARTS LIST	PARTS03-50
4 INTERNAL CABLING AND CABLE ASSEMBLY PARTS LIST	PARTS04-10
4.1 INTERNAL CABLING	PARTS04-10
4.2 CABLE ASSEMBLY PARTS LIST	PARTS04-50
5 SPARE PARTS LIST	PARTS05-10
6 TOOL LIST	PARTS06-10

1 HOW TO USE PARTS CATALOG

1. Parts list

Table 1-1 shows the reference page of each part.

Table 1-1 Reference page of each part

No.	Part Name	Pages
1	DKC	PARTS02-10 through 02-110
2	PCBs and Memory Modules	PARTS03-10 through 03-50
3	Cable Assemblies	PARTS04-10 through 04-60
4	Spare Parts	PARTS05-10 through 05-20

2. Tool list

This list shows tools necessary to exchange a part or to troubleshoot DKC465I.

3. How to refer to parts list

LIST AND INDEX NUMBER	PART NUMBER	NAME OF PART	UNITS PER ASSY	REMARKS
1-	2103269-A	DKC ASSY		
1	1506258-A	• MAIN ASSY	1	SEE LIST 2
2	1506251-A	• F-DOOR ASSY(465)	1	SEE LIST 3

① : Indicates the list number of the assembly.

② : Indicates the item number given in the figure.

③ : Indicates the part number.

④ : Non-dot mark indicates a main assembly in a parts list.

One-dot mark indicates a part included in a main assembly.

Two-dot mark indicates a part included in a one-dot marked part.

⑤ : Indicates the unit type.

⑥ : Indicates the detailed list number if any.

⑦ : Indicates a quantity per main assembly.

⑧ : If 'SP' is written, it indicates a spare part.

2 PARTS LIST OF DKC465I

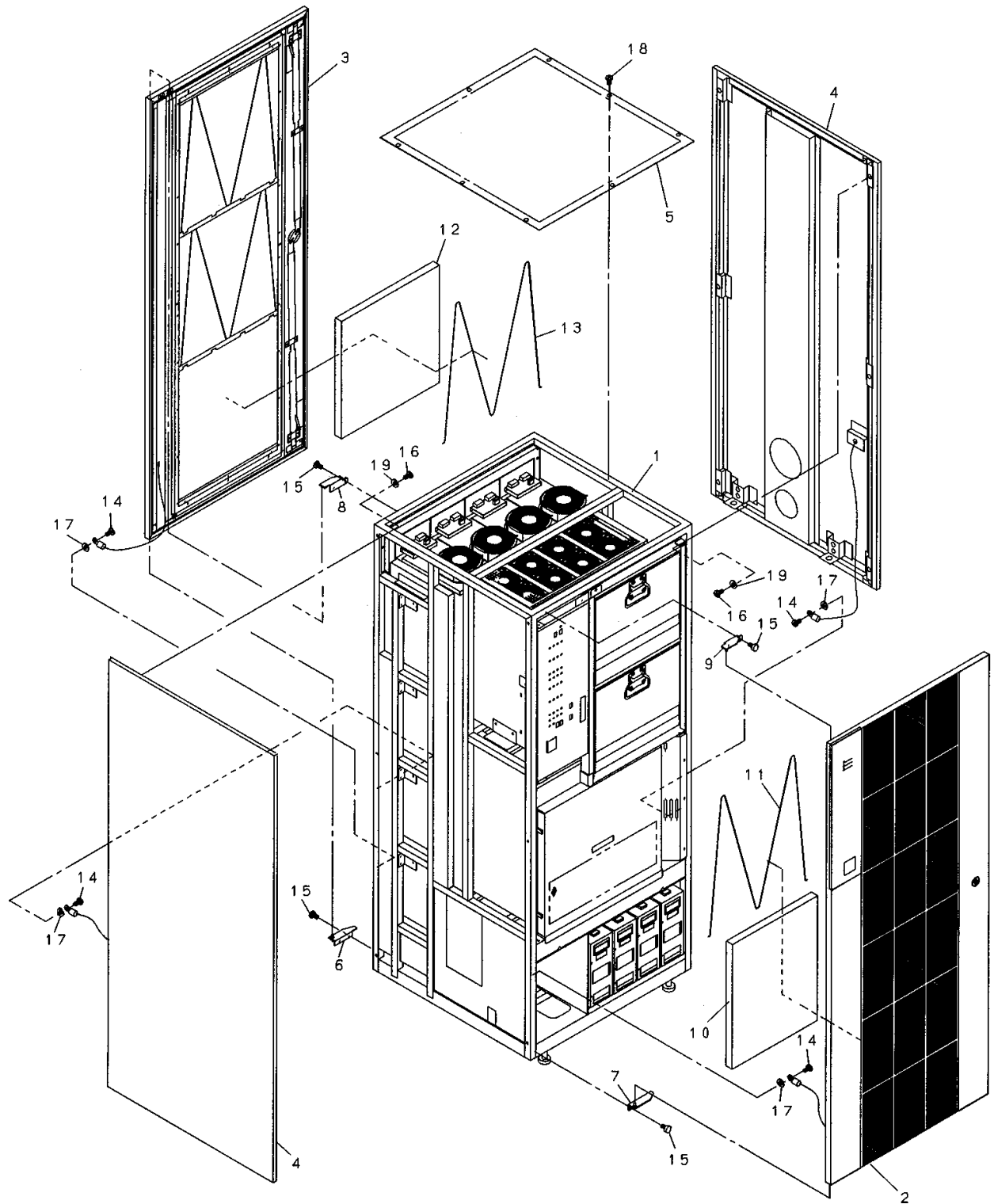


Fig. 2-1 DKC ASSY (465)

PARTS LIST 1 (Parts listed below are shown in Fig. 2-1)

LIST AND INDEX NUMBER	PART NUMBER	NAME OF PART	UNITS PER ASSY	REMARKS
1-	2105827-A	DKC ASSY(465)	-	
1	1506824-A	• MAIN ASSY(465)	1	
2	3265620-B, E, F	• F-DOOR ASSY	1	NOTE.1
3	3265621-B, E, F	• R-DOOR ASSY	1	NOTE.1
4	3265617-B, E, F	• SIDE COVER ASSY	2	NOTE.1
5	3261949-1	• TOP COVER	1	
6	5513794-A	• HINGE ASM(R-L)	1	
7	5513792-A	• HINGE ASM(F-L)	1	
8	5513795-A	• HINGE ASM(R-U)	1	
9	5513793-A	• HINGE ASM(F-U)	1	
10	3263247-1	• FILTER(DKC460)	1	
11	3263248-1	• STOPPER(FILTER)	1	
12	3263247-2	• FILTER(DKC460)	3	
13	3263315-1	• STOPPER(FILTER-SC)	3	
14	SB408N	• BINDING SCREW(NI) M4 × 8	4	
15	BS510N	• HEXAGON SOCKET BOLT(NI) M5 × 10	8	
16	SB536N	• BINDING SCREW(NI) M5 × 36	12	
17	WT004N	• LOCK WASHER(NI) M4	4	
18	3183101-1	• HWA BIND SCREW	12	
19	5513553-532	• LL WASHER(NI)	12	

NOTE.1: P/N-B: DKC465I-5P

P/N-E: DKC465I-5/DKC-F465I-DH

P/N-F: DKC-F465I-DS

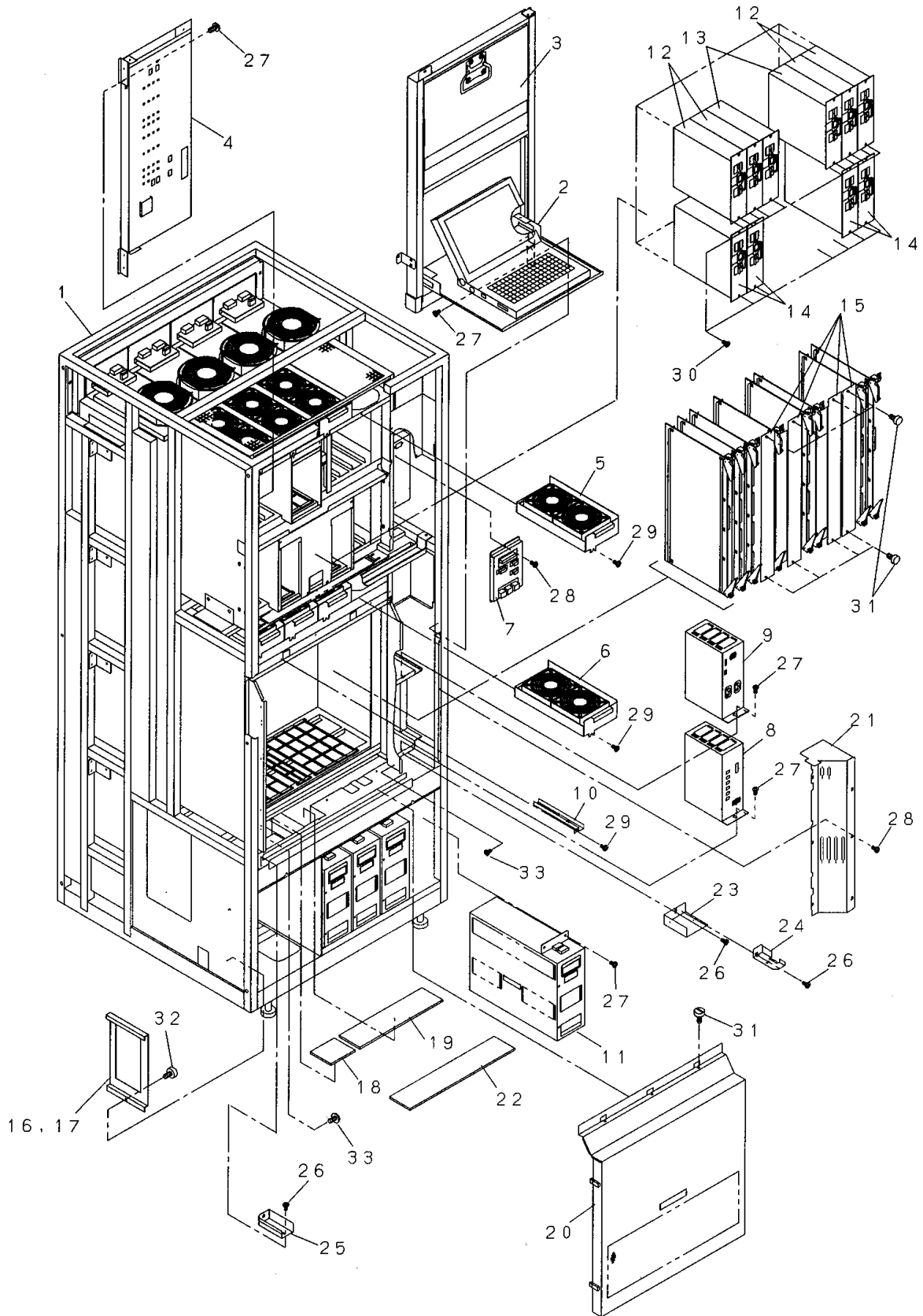


Fig. 2-2 MAIN ASSY (DKC SIDE)

PARTS LIST 2 (Parts listed below are shown in Fig. 2-2)

LIST AND INDEX NUMBER	PART NUMBER	NAME OF PART	UNITS PER ASSY	REMARKS
2-	1506824-A	• MAIN ASSY(465)	-	DKC SIDE
1	1506822-A	• SUB MAIN ASSY(465)	1	
2	5513995-A	• SVP ASSY	1	S.P
	5513995-B	• SVP ASSY	1	S.P
				Installed Additional SVP Memory (DKC-F460I-256M)
2-1	5513998-A	• FLASH CARD	1	S.P
3	5513995-A	• SVP ASSY	1	S.P,NOTE.1
	5513995-B	• SVP ASSY	1	S.P
				Installed Additional SVP Memory (DKC-F460I-256M)
3-1	5513998-A	• FLASH CARD	1	S.P,NOTE.1
4	2105533-A	• OP PANEL ASSY(465)	1	See LIST 4
5	5509121-A	• DKC FAN ASSY(A)	4	S.P
	5519716-A	• DKC FAN(NAS) ASSY(A)	4	S.P
6	5509121-B	• DKC FAN ASSY(B)	4	S.P
	5519716-B	• DKC FAN(NAS) ASSY(B)	4	S.P
7	5509132-B	• RS-CON(SH195-B)	1	S.P
8	5513999-A	• HUB BOX	1	S.P
9	5513997-A	• SVPPS BOX	1	S.P,NOTE.1
10	5513989-A	• ALM(TH) ASSY	2	S.P
11	5513990-A	• BATTERY ASSY	4	S.P
12	5513970-A	• 3V/5V PS(LG MPS)	4	S.P
13	5513971-A	• 5V/12V PS(SUB MPS)	2	S.P
14	5513969-A	• 3V PS	4	S.P
	5519715-A	• 3/12V PS	4	S.P
15	3264063-2	• DUMMY-PLATE(WP)	4	
16	5509131-A	• PCI CON(SH218-A)	1	S.P,NOTE.2
17	5513547-A	• UPS CON(SH298-A)	1	S.P,NOTE.3
18	3236791-9	• FILTER(DKC210)	1	NOTE.4

NOTE.1.DKC-F460I-SVP

NOTE.2.DKC-F460I-18

NOTE.3.DKC-F460I-UPS

NOTE.4. There are two cases of air filter installation. One is a case where the air filters of No. 18 and 19 are installed and the other is a case where that of No. 22 is installed.

PARTS LIST 2 (Parts listed below are shown in Fig. 2-2)

LIST AND INDEX NUMBER	PART NUMBER	NAME OF PART	UNITS PER ASSY	REMARKS
19	3236791-10	• FILTER(DKC210)	1	NOTE.4
20	3264043-A	• COVER(LG) ASSY	1	
21	3264191-A	• COVER(HUB/SVP-PS) ASSY	1	
22	3236791-11	• FILTER(DKC210)	1	NOTE.4
23	5515807-1	• CABLE COVER(1)	1	
24	5515808-1	• CABLE COVER(2)	1	
25	5515838-A	• COVER(CABLE DUCT) ASSY	1	
	5518445-A	• DUCT COVER(N) ASSY	1	
26	SB306N	• BIND SCREW(NI) M3 × 6.3	12	
27	SB408N	• BIND SCREW(NI) M4 × 8	18	
28	5513661-310	• SCREW(STOPPER)NI	8	
29	5513661-325	• SCREW(STOPPER)NI	10	
30	5513661-425	• SCREW(STOPPER)NI	10	
31	5480385-1	• LOCK SCREW	11	
32	5480385-2	• LOCK SCREW	1	
33	3261960-306	• WA_BIND_SCREW(NI)	2	

NOTE.4. There are two cases of air filter installation. One is a case where the air filters of No. 18 and 19 are installed and the other is a case where that of No. 22 is installed.

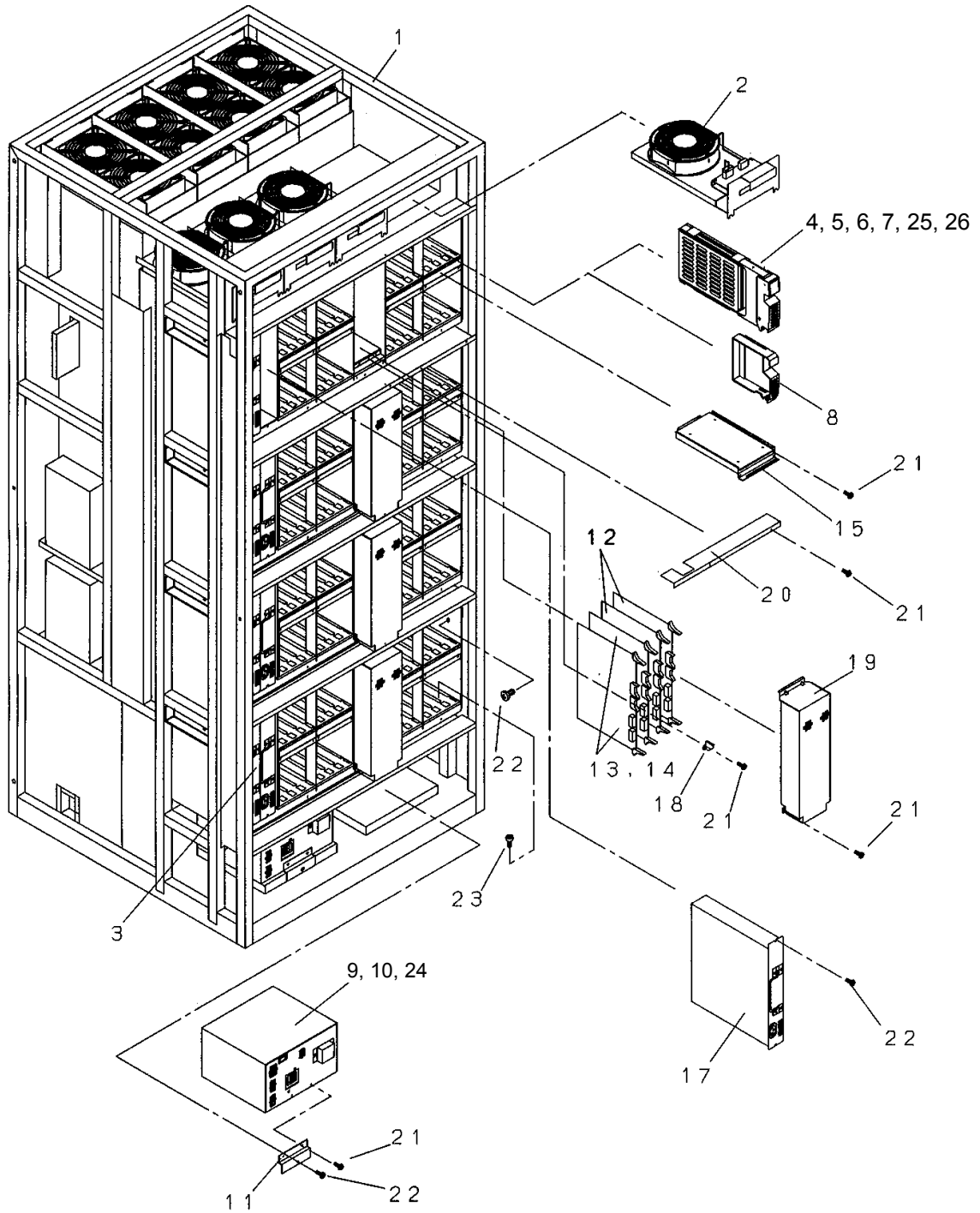


Fig. 2-3 MAIN ASSY (DKU SIDE)

PARTS LIST 3 (Parts listed below are shown in Fig. 2-3)

LIST AND INDEX NUMBER	PART NUMBER	NAME OF PART	UNITS PER ASSY	REMARKS
3-	1506824-A	MAIN ASSY(465)	-	DKU SIDE
1	1506822-A	• SUB MAIN ASSY(465)	-	
2	5513991-A	• HDD FAN ASSY	4	S.P
3	1506385-A	• HDD BOX ASSY	4	See LIST 5
4	5515544-A	• HDU450-36K1FC	4~128	S.P,NOTE.1
5	5513873-A	• HDU450-72J1FC	4~128	S.P,NOTE.2
6	5518491-A	• HDU450-146J1FC	4~128	S.P,NOTE.8
7	5518492-A	• HDU450-72K1FC	4~128	S.P,NOTE.9
8	2105845-1	• DUMMY CANISTER	0~124	
9	5513938-A	• AC BOX(3 PHASE/30A)	2	S.P,NOTE.3
10	5513939-A	• AC BOX(SINGLE PHASE/50A)	2	S.P,NOTE.4
11	5513755-1	• PLATE(CON-AC)	2	
12	5513854-A	• FSW-A(SH303-A)	8	S.P
13	5513854-B	• FSW-B(SH303-B)	8	S.P,NOTE.5
14	5513854-C	• FSW-C(SH303-C)	8	S.P,NOTE.6
15	5513855-A	• JMP(SH304-A)	16	S.P
16				
17	5513853-A	• 5V/12V PS(HDD PS)	8	S.P
18	5502211-1	• STOPPER(P/K)	16	
19	3263499-A	• COVER(FSW-465)ASSY	4	
20	5513817-A	• CABLE COVER ASSY	4	
21	SB306N	• BIND SCREW(NI) M3 × 6.3	76	
22	SB408N	• BIND SCREW(NI) M4 × 8	26	
23	3261959-425	• WA SOCKET BOLT(NI) M4 × 25	20	
24	5518053-A	• AC BOX(SINGLE PHASE/30A)	2	S.P,NOTE.7
25	5522731-A	• HDU450-146JSFC	4~128	S.P,NOTE.10
26	5522976-A	• HDU450-146JMFC	4~128	S.P,NOTE.11

NOTE.1. DKU-F455I-36K1,K4

NOTE.2. DKU-F455I-72J1,J4

NOTE.3. DKC-F465I-3PS

NOTE.4. DKC-F465I-1PS

NOTE.5. DKC-F465I-FSW

NOTE.6. DKC-F465I-FSW2

NOTE.7. DKC-F465I-1PSD

NOTE.8. DKU-F455I-146J1,J4

NOTE.9. DKU-F455I-72K1,K4

NOTE.10 DKU-F455I-146JF,JS

NOTE.11 DKU-F455I-146JM,JQ

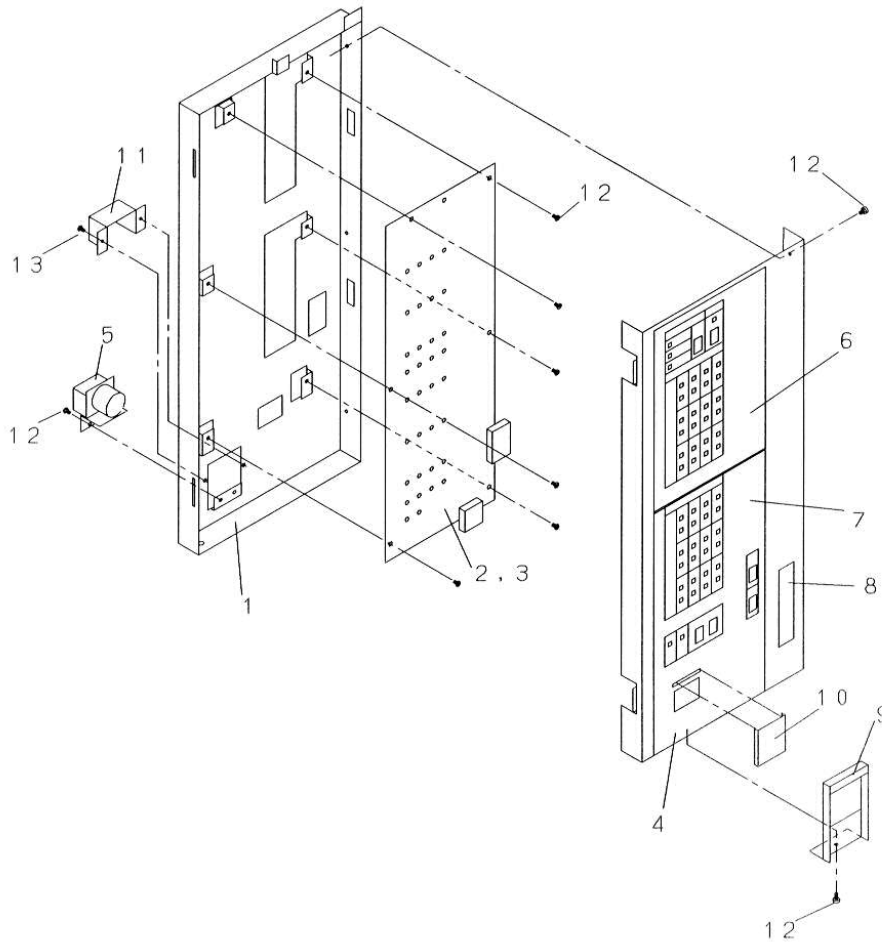


Fig. 2-4 OP PANEL ASSY

PARTS LIST 4 (Parts listed below are shown in Fig. 2-4)

LIST AND INDEX NUMBER	PART NUMBER	NAME OF PART	UNITS PER ASSY	REMARKS
4-	2105533-A	OP PANEL ASSY(465)	-	
1	2105429-A	• BOX(OP) ASM	1	
2	5513988-A	• DKC PNL(SH302-A)	1	S.P
3	5513988-C	• DKC PNL(SH302-C)	1	S.P,NOTE.1
4	2105430-1	• OP PANEL(450)	1	
5	5509122-A	• EPO ASSY	1	S.P
6	2105564-2	• SHEET(U)	1	
7	1506846-2	• SHEET(L)	1	
8	5493656-1	• TOTTE	1	
9	3263363-A	• PROTECTOR(EPO) ASM	1	
10	5471981-1	• KNOB	1	
11	5503396-1	• COVER(EPO) R	1	
12	5513661-312	• SCREW(STOPPER)NI	12	
13	SB306N	• BIND SCREW(NI) M3 × 6.3	2	

NOTE.1. DKC-F460I-UPS

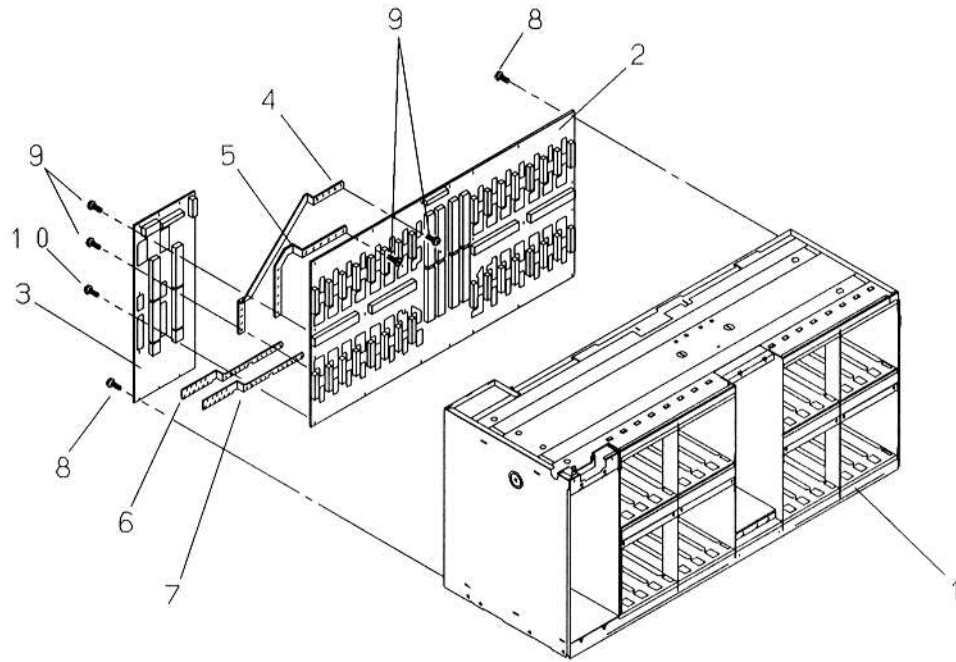


Fig. 2-5 HDD BOX ASSY

PARTS LIST 5 (Parts listed below are shown in Fig. 2-5)

LIST AND INDEX NUMBER	PART NUMBER	NAME OF PART	UNITS PER ASSY	REMARKS
5-	1506385-A	HDD BOX ASSY	-	
1	1506344-A	• HDD BOX ASM	1	
2	5513856-A	• HDD B/P(LR011-A)	1	S.P
3	5513857-A	• HDD PS B/P(LR015-A)	1	S.P
4	3261914-1	• BUS BAR(5V)	1	
5	3261913-1	• BUS BAR(12V)	1	
6	3263219-1	• BUS BAR(GRD)1	1	
7	3263220-1	• BUS BAR(GND)2	1	
8	3261960-310	• WA BIND SCREW(NI)	29	
9	SB408B	• B-BIND SCREW M4 × 8	22	
10	SB410B	• B-BIND SCREW M4 × 10	22	

3 PARTS LIST OF PCB AND MEMORY MODULE

3.1 PCB LOCATION

FRONT LOGIC BOX PCB LOCATION

CL1										CL2												
A	B				C	D	E	F		G	H	J	K		L		M					
W P 4 8 1 C	W P 4 7 1 A	S H 2 8 1 B	W P 4 7 1 B	S H 2 8 1 B	1 s t C H A	2 n d C H A	W P 4 9 0 A	3 r d C H A	W P 4 7 1 B	S H 2 8 1 B	1 s t C H A	W P 4 9 0 A	2 n d C H A	3 r d C H A	W P 4 7 1 B	S H 2 8 1 B	W P 4 7 1 B	S H 2 8 1 B	W P 4 7 1 B	S H 2 8 1 B	W P 4 8 1 C	
	*A1	*A2	*B	*B			*B	*C	*B			*B	*B	*C	*A1	*A2						
CSW -1A	DKA-1B				CHA -1C	CHA -1D	CACHE -1E	CHA -1F	DKA -1F	CHA -2G	CACHE -2H	CHA -2J	CHA -2K	DKA -2L	DKA-2L		CSW -2M					
	Basic				Basic	Add.1		Add.2	Add.1	Basic		Add.1	Add.2	Add.1	Basic							

*A1: DKC-F465I-100x1set *A2: DKC465I-5EN or DKC-F460I-200x1set *C: DKC-F460I-200x2 sets

*B: Description of CHA PCBs

CL1														CL2																									
C, D, F														G, J, K																									
W P 4 6 8 2 A x x 1	S H 2 8 1 C x x 4	W P 4 6 8 1 D x x 2	S H 2 8 1 A x x 2	W P 4 6 8 1 E x x 2	S H 2 8 1 B x x 4	W P 4 6 8 1 A x x 4	S H 2 8 1 C x x 4	W P 4 6 5 1 D x x 4	S H 2 8 1 B x x 4	W P 4 6 8 1 F x x 4	S H 2 8 1 A x x 4	W P 4 6 8 1 G x x 4	S H 2 8 1 H x x 4	W P 4 6 8 1 A x x 2	S H 2 8 1 J x x 2	W P 4 6 8 1 A x x 2	S H 2 8 1 B x x 2	W P 4 6 3 1 B x x 1	S H 2 8 1 D x x 4	W P 4 6 7 1 D x x 2	S H 2 8 1 D x x 2	W P 4 6 8 1 A x x 4	S H 2 8 1 C x x 4	W P 4 6 8 1 A x x 4	S H 2 8 1 D x x 4	W P 4 6 5 1 D x x 4	S H 2 8 1 B x x 4	W P 4 6 8 1 F x x 4	S H 2 8 1 A x x 4	W P 4 6 8 1 G x x 4	S H 2 8 1 H x x 4	W P 4 6 8 1 A x x 2	S H 2 8 1 J x x 2	W P 4 6 8 1 A x x 2	S H 2 8 1 B x x 4	W P 4 6 8 1 D x x 4	S H 2 8 1 D x x 4	W P 4 6 8 1 A x x 4	S H 2 8 1 C x x 4
*1	*2	*3	*4	*5	*6	*7	*8	*9	*10	*11	*12	*13	*14	*1	*2	*3	*4	*5	*6	*7	*8	*9	*10	*11	*12	*13	*14												

- *1: DKC-F460I-8S
- *2: DKC-F460I-8GSE
- *3: DKC-F460I-4HSE
- *4: DKC-F460I-8HSE
- *5: DKC-F460I-8HLE
- *6: DKC-F460I-8MS
- *7: DKC-F460I-8ML
- *8: DKC-F460I-8HSF
- *9: DKC-F460I-8HLF
- *10: DKC-F460I-8GSF
- *11: DKC-F460I-4HSF
- *12: DKC-F460I-16HSF
- *13: DKC-F460I-4NS (Installation number of DKC-F460I-4NS is restricted to two sets.)
- *14: DKC-F460I-8SE

Fig. 3.1-1 Front Logic Box PCB Location

FRONT PS BOX PS AND PCB LOCATION

CL1				CL1/CL2	CL2	CL1	CL2										
—		—		AU	BU	CU		DU	—		—						
5/3VPS1A	5/3VPS1B	SUBPS1		DKCMN1	SSVP	DKCMN2	SVPPS1	SUBPS2	5/3VPS2B	5/3VPS2A							
5 / 3 V P S	5 / 3 V P S	S U B P S	S H 3 0 7 -	S H 3 0 7 -	S H 3 1 3 -	S H 3 0 7 -	S H 3 0 7 -	S H 1 1 1 1 -	S U B P S	5 / 3 V P S	5 / 3 V P S	S H 1 1 1 1 -	S H 1 1 1 1 -				
														B	B	B	B
														*A	*A	*A	*A
														SVPPS2	EU	CL2	CL2
3 V P S	3 / 1 2 V P S	3 V P S	3 / 1 2 V P S	S H 2 0 0 -	S H 2 0 0 -			S H 2 0 0 -	S H 2 0 0 -	3 V P S	3 / 1 2 V P S	3 V P S	3 / 1 2 V P S				
*B	*C	*B	*C							*B	*C	*B	*C				
3VPS 1A	3/12V PS1A	3VPS 1B	3/12V PS1B	BATCTR-11	BATCTR-10			BATCTR-20	BATCTR-21	3VPS 2B	3/12V PS2B	3VPS 2A	3/12V PS2A				
—				AL	BL			CL	DL	—		—					
CL1						CL2											

*A: DKC-F460I-UPS

*B: DKC465I-5 or DKC465I-5F

*C: DKC465I-5FE, DKC465I-5EN or DKC-F465I-NENB

Fig. 3.1-2 Front PS Box Location

3.2 SHARED MEMORY MODULE LOCATION

1. Standard Cache Memory PCB

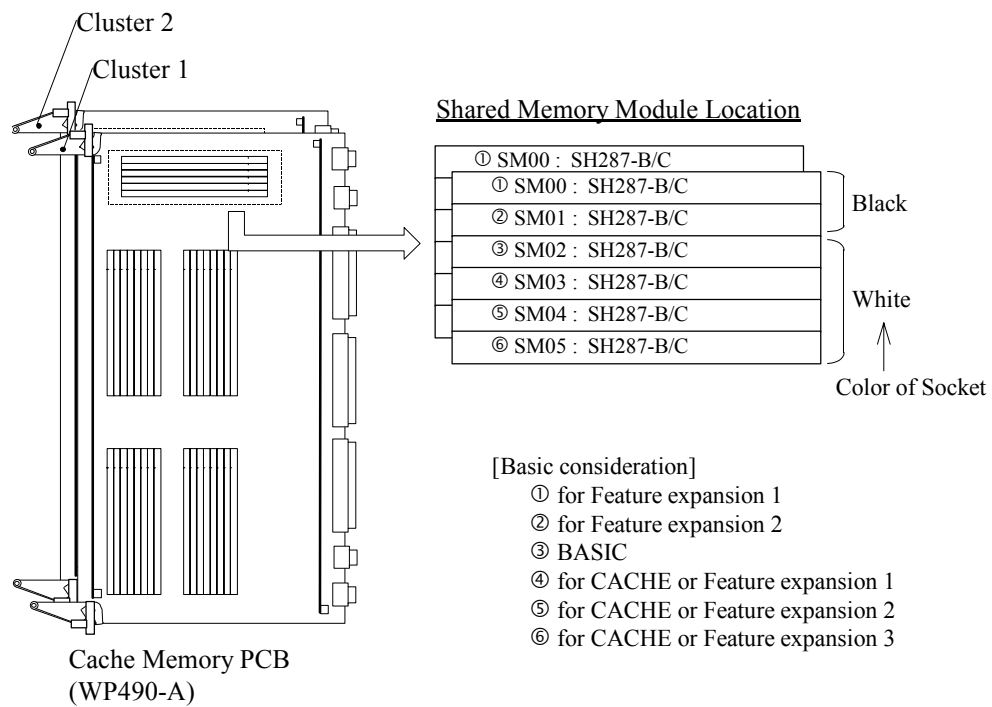
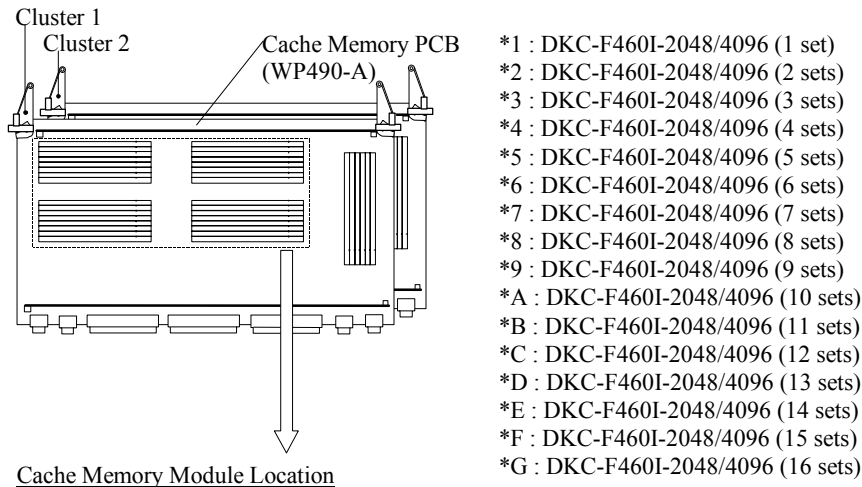


Fig. 3.2-1 Shared Memory Module Location

3.3 CACHE MEMORY MODULE LOCATION

1. Standard Cache Memory PCB



BCM007 : SH288-B/C *G			ACM007 : SH288-B/C *F		
BCM007 (MG#15) : SH288-B/C	*G		ACM007 (MG#14) : SH288-B/C	*F	D
BCM006 (MG#13) : SH288-B/C	*E		ACM006 (MG#12) : SH288-B/C	*D	B
BCM005 (MG#11) : SH288-B/C	*C		ACM005 (MG#10) : SH288-B/C	*B	9
BCM004 (MG#9) : SH288-B/C	*A		ACM004 (MG#8) : SH288-B/C	*9	7
BCM003 (MG#7) : SH288-B/C	*8		ACM003 (MG#6) : SH288-B/C	*7	5
BCM002 (MG#5) : SH288-B/C	*6		ACM002 (MG#4) : SH288-B/C	*5	3
BCM001 (MG#3) : SH288-B/C	*4		ACM001 (MG#2) : SH288-B/C	*3	1
BCM000 (MG#1) : SH288-B/C	*2		ACM000 (MG#0) : SH288-B/C	*1	
BCM107 (MG#15) : SH288-B/C *G			ACM107 (MG#14) : SH288-B/C *F		
BCM106 (MG#13) : SH288-B/C	*E		ACM106 (MG#12) : SH288-B/C	*D	D
BCM105 (MG#11) : SH288-B/C	*C		ACM105 (MG#10) : SH288-B/C	*B	B
BCM104 (MG#9) : SH288-B/C	*A		ACM104 (MG#8) : SH288-B/C	*9	9
BCM103 (MG#7) : SH288-B/C	*8		ACM103 (MG#6) : SH288-B/C	*7	7
BCM102 (MG#5) : SH288-B/C	*6		ACM102 (MG#4) : SH288-B/C	*5	5
BCM101 (MG#3) : SH288-B/C	*4		ACM101 (MG#2) : SH288-B/C	*3	3
BCM100 (MG#1) : SH288-B/C	*2		ACM100 (MG#0) : SH288-B/C	*1	1

Fig. 3.3-1 Cache Memory Module Location

3.4 PARTS LIST

PARTS LIST 3 (Parts listed below are shown in Fig. 3.1-1 through 3.3-1.)

ITEM NO.	PART NUMBER	PART NAME	QUANTITY PER DKC	REMARKS
10-1	5513983-A	Serial 4-port CHA ASSY (WP462-A×1 & SH281-C×4)	2-6	SP
2	5513984-A	MF Fibre 4-port CHA ASSY (Short wave 1-2 G bps) (WP465-A×1 & SH281-D×4)	2-6	SP
3	5513984-B	MF Fibre 4-port CHA ASSY (Long wave 1-2 G bps) (WP465-B×1 & SH281-D×4)	2-6	SP
4	5513980-B	Fibre 4-port CHA ASSY (Short wave 1 G bps) (WP461-D×1 & SH281-A×2) *1	2-6	SP
5	5513981-C	Fibre 2-port CHA ASSY (Short wave 1-2 G bps) (WP461-E×1 & SH281-A×2) *1	2-6	SP
6	5513981-A	Fibre 4-port CHA ASSY (Short wave 1-2 G bps) (WP461-B×1 & SH281-A×4) *1	2-6	SP
7	5513981-B	Fibre 4-port CHA ASSY (Long wave 1-2 G bps) (WP461-C×1 & SH281-A×4) *1	2-6	SP
8	5513979-A	WP471-A×1 & SH281-B×2 (DKA)	2	SP
9	5513979-B	WP471-B×1 & SH281-B×4 (DKA)	2	SP
10	5513976-A	WP490-A P/K ASSY (CACHE)	2	SP
11	5513975-C	WP481-C P/K ASSY (CSW-S)	2	SP
12	5513977-B	SH288-B P/K ASSY (CM-DIMM)	4-64	SP
13	5513978-B	SH287-B P/K ASSY (SM-DIMM)	2-12	SP
14	5509126-A	SH200-A P/K ASSY (BATCTR)	2	SP
15	5514000-A	SH313-A P/K ASSY (SSVP)	1	SP
16	5513986-A	SH307-A P/K ASSY (DKCMN)	2	SP
17	5513986-B	SH307-B P/K ASSY (DKCMN for UPS)	2	SP
18	5513987-B	SH111-B P/K ASSY (SVPPS)	2	SP
19	5518079-C	Fibre 4-port CHA ASSY (Short wave 1Gbps) (WP461-H×1 & SH281-A×2) *2	2-6	SP
20	5518079-D	Fibre 2-port CHA ASSY (Short wave 1-2Gbps) (WP461-J×1 & SH281-A×2) *2	2-6	SP
21	5518079-A	Fibre 4-port CHA ASSY (Short wave 1-2Gbps) (WP461-F×1 & SH281-A×4) *2	2-6	SP
22	5518079-B	Fibre 4-port CHA ASSY (Long wave 1-2Gbps) (WP461-G×1 & SH281-A×4) *2	2-6	SP
23	5518079-E	Fibre 8-port CHA ASSY (Short wave 1-2Gbps) (WP463-B×1 & SH281-D×4) *3	2-6	SP
24	5519714-A	NAS 2-port CHA ASSY (Short wave 1.25Gbps) (WP467-A×1 & SH281-D×2)	2-4	SP
25	5513983-B	Serial 4-port CHA ASSY (WP468-A×1 & SH281-C×4)	2-6	SP

(To be continued.)

(Continued from preceding sheet.)

ITEM NO.	PART NUMBER	PART NAME	QUANTITY PER DKC	REMARKS
26	5522913-A	iSCSI 4-port CHA ASSY (WP466-A×1 & SH281-D×4)	2-6	SP
27	5513977-C	SH288-C P/K ASSY (CM-DIMM)	4-64	SP
28	5513978-C	SH287-C P/K ASSY (SM-DIMM)	2-12	SP

*1: PCB not supporting DB Validator

*2: PCB supporting DB Validator (for subsystems with DKCMAIN Ver. 21-02-2X and the later)

*3: PCB supporting DB Validator (for subsystems with DKCMAIN Ver. 21-03-0X and the later)

4 INTERNAL CABLING AND CABLE ASSEMBLY PARTS LIST

4.1 INTERNAL CABLING

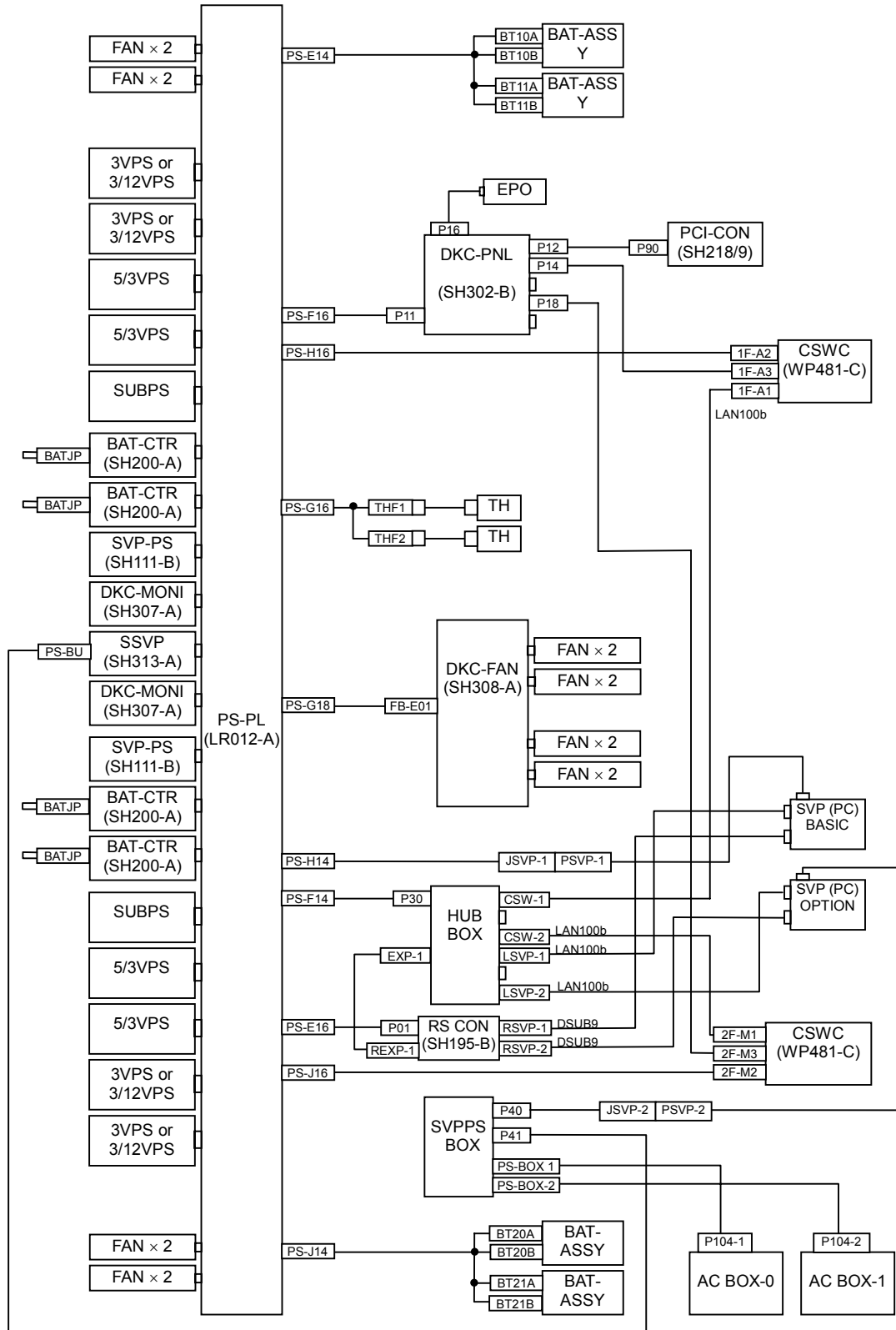


Fig. 4.1-1 Subsystem Internal Cabling Diagram ①

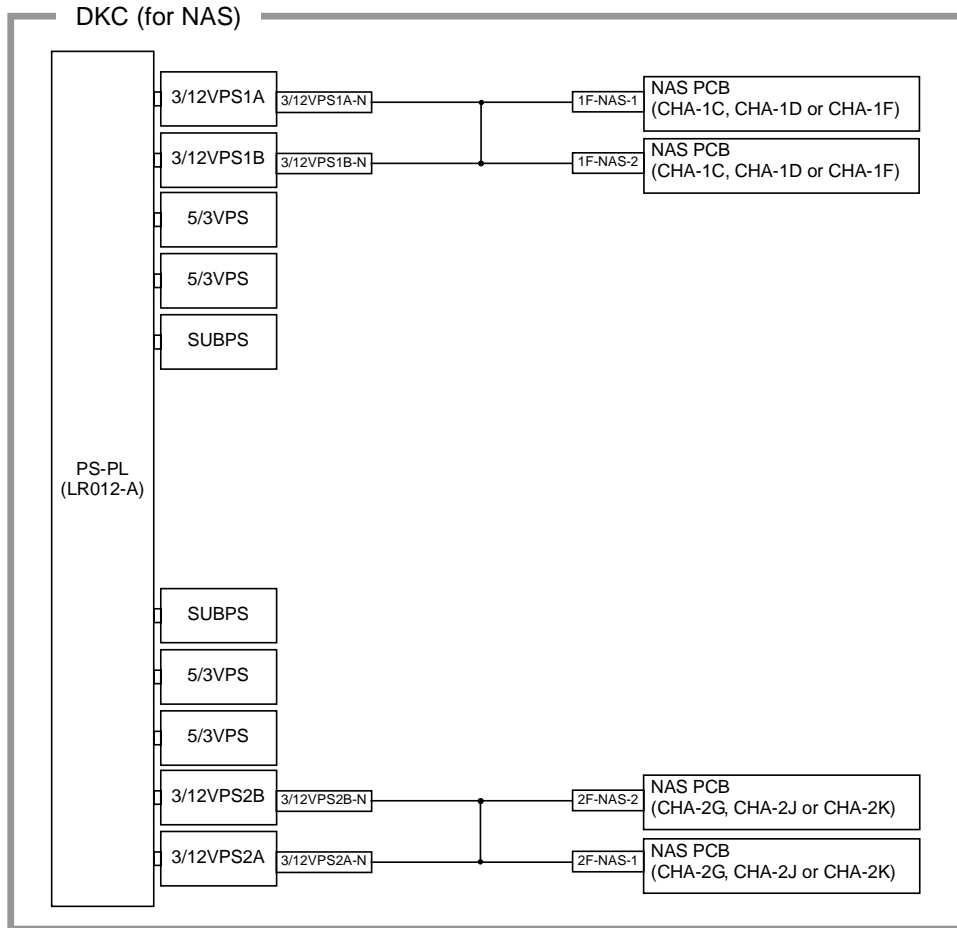


Fig. 4.1-1A Subsystem Internal Cabling Diagram

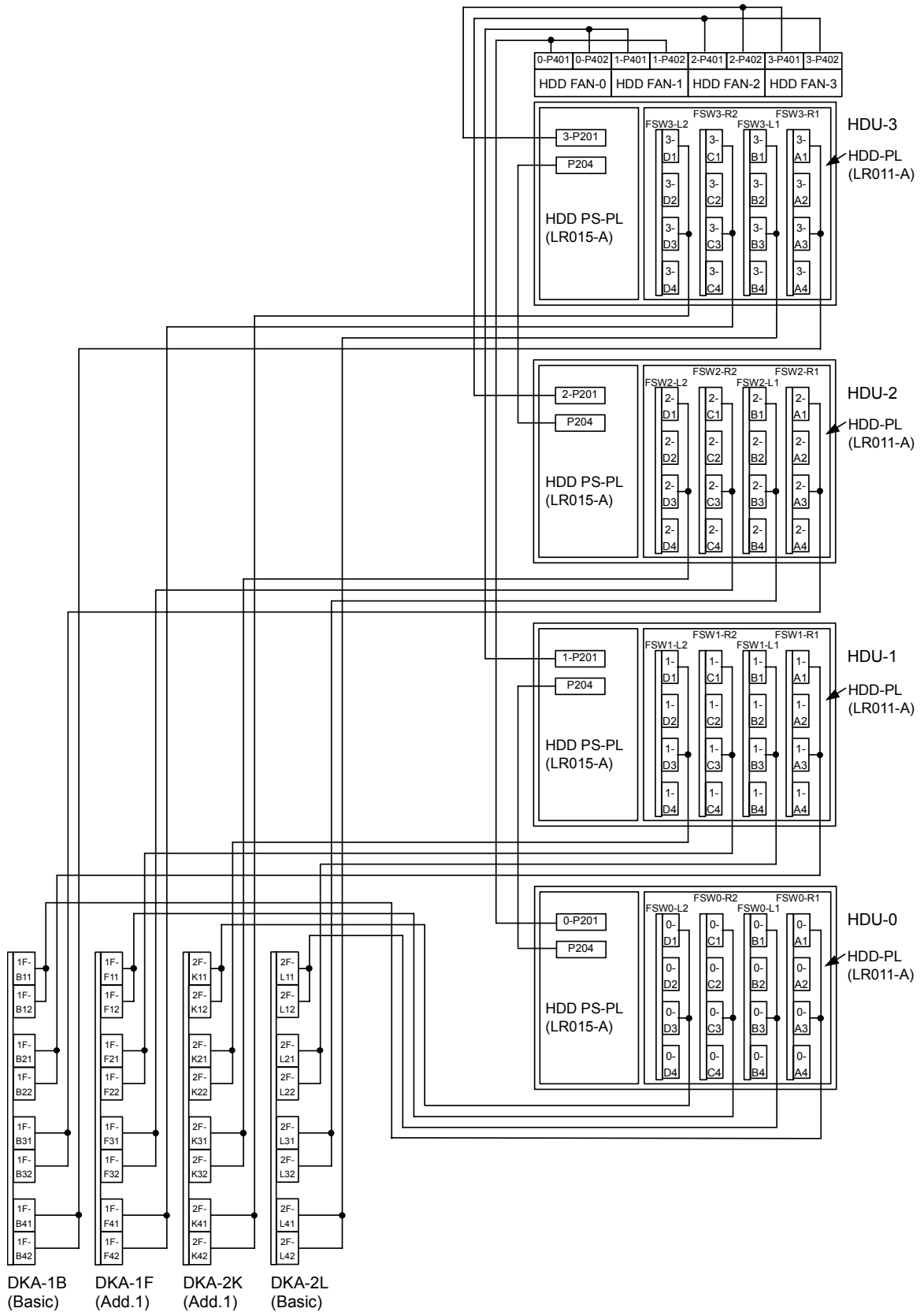


Fig. 4.1-2 Subsystem Internal Cabling Diagram ②

(Single Phase/50A Model)

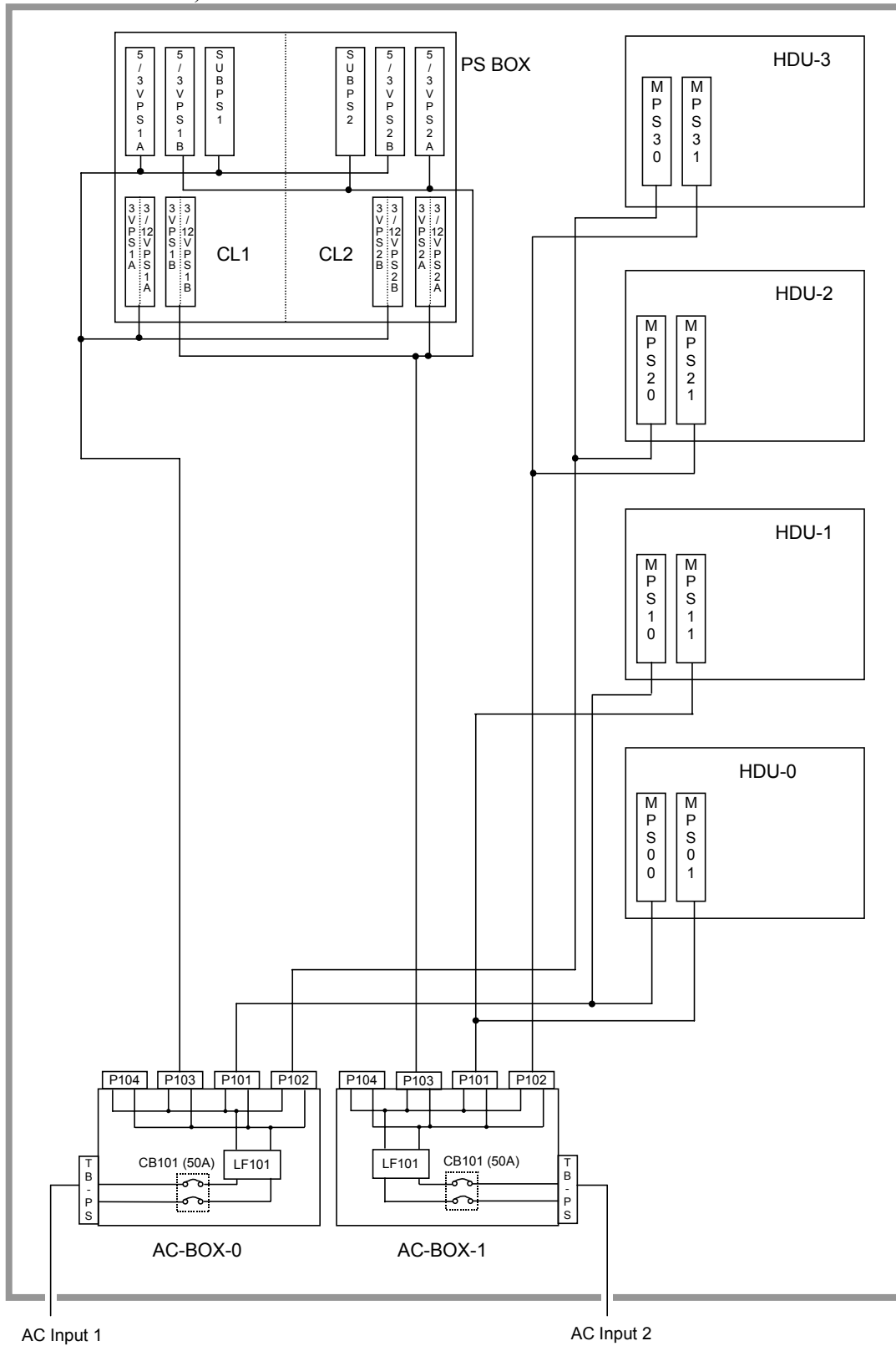


Fig. 4.1-3 Subsystem Internal Cabling Diagram ③

(3 Phase/30A Model)

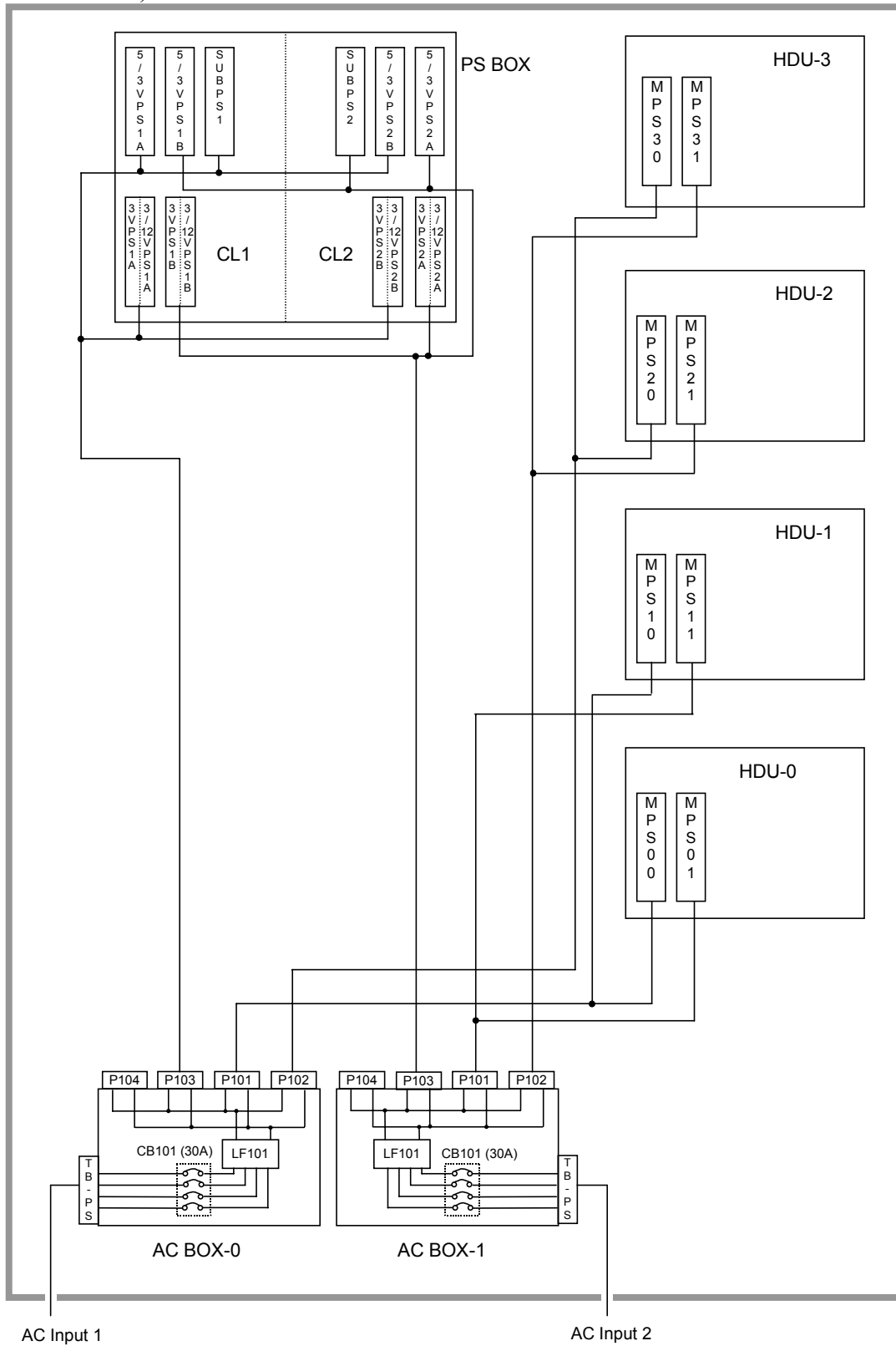


Fig. 4.1-3 Subsystem Internal Cabling Diagram ④

(Single Phase/30A Model)

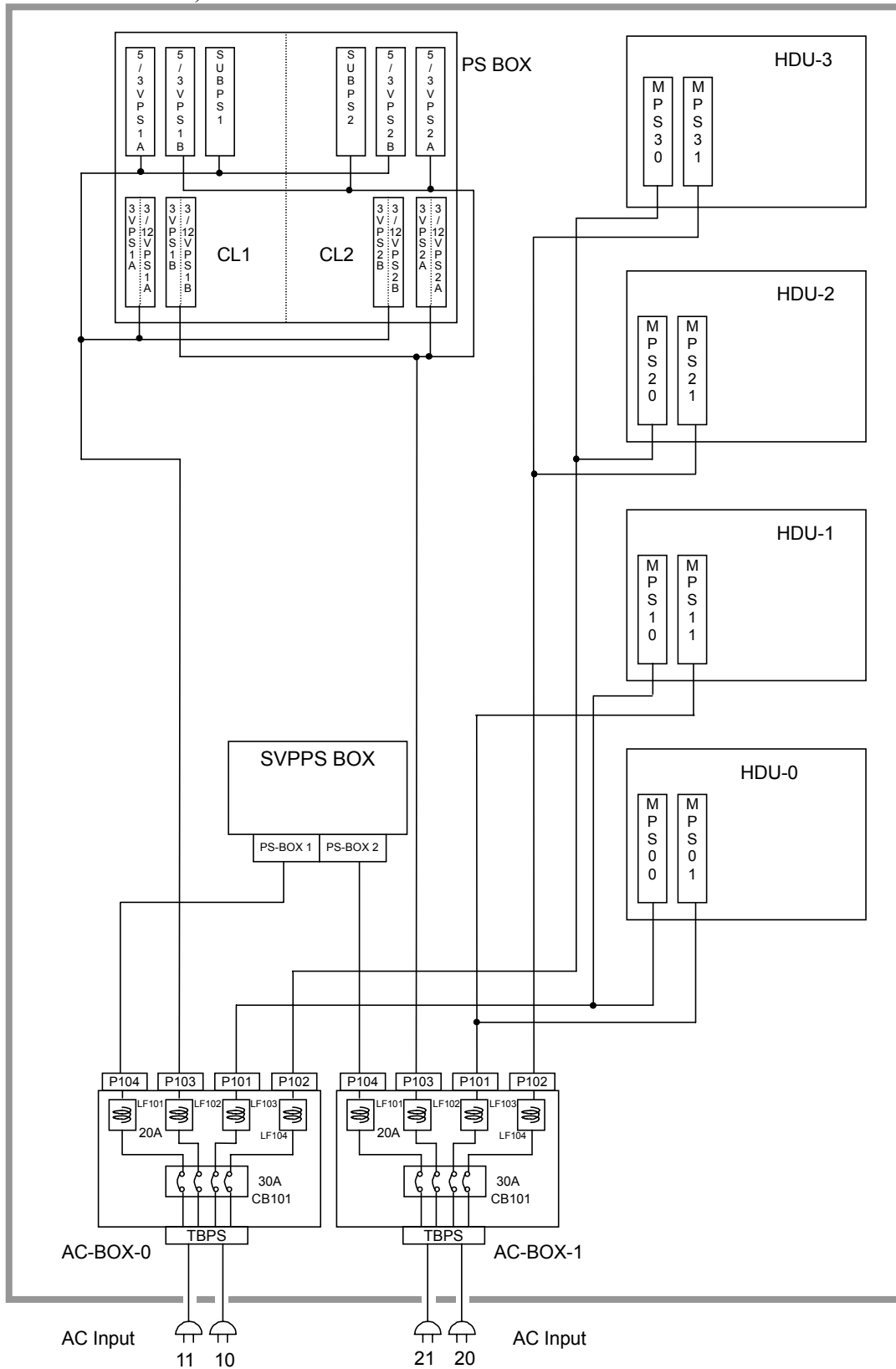


Fig. 4.1-3 Subsystem Internal Cabling Diagram ⑤

4.2 CABLE ASSEMBLY PARTS LIST

No.	Connector No.		Part No.	Part Name
	Source	Destination		
11-1	PS-E14 (PS PL)	BAT10A (BATTERY-10)	3263118-A	CABLE ASSY (BAT)
		BAT10B (BATTERY-10)		
		BAT11A (BATTERY-11)		
		BAT11B (BATTERY-11)		
2	PS-J14 (PS PL)	BAT20A (BATTERY-10)	3263118-B	CABLE ASSY (BAT)
		BAT20B (BATTERY-10)		
		BAT21A (BATTERY-11)		
		BAT21B (BATTERY-11)		
3	PS-F16 (PS PL)	P11 (DKC PNL)	3263121-A	CABLE ASSY (50FA-ST)
			5516101-1	
4	— (EPO)	P16 (DKC PNL)	—	EPO ASSY
5	P12 (DKC PNL)	P90 (PCI CON)	3263122-A	CABLE ASSY (26FA-ST)
			5516101-3	
6	P14 (DKC PNL)	1F-A3 (CSW-1A)	3263119-A	CABLE ASSY (MRP68)
			5485589-631	
7	P18 (DKC PNL)	2F-M3 (CSW-2M)	3263119-B	CABLE ASSY (MRP68)
			5485589-632	
8	PS-H16 (PS PL)	1F-A2 (CSW-1A)	3263120-A	CABLE ASSY (MRP50)
			5485589-54	
9	PS-J16 (PS PL)	2F-M2 (CSW-2M)	3263120-B	CABLE ASSY (MRP50)
			5485589-55	
10	PS-E16 (PS PL)	P01 (RS CON)	3263120-C	CABLE ASSY (MRP50)
			5485589-56	
11	PS-G16 (PS PL)	THF1,2 (THF)	3263115-A	CABLE ASSY (TH)
12	PS-B18 (PS PL)	FB-E01 (DKC FAN)	3263127-A	CABLE ASSY (DKC FAN)
13	PS-H14 (PS PL)	JSVP-1 (SVP)	3263116-A	CABLE ASSY (SVP)
14	P40 (SVPPS BOX)	JSVP-2 (SVP)	3263404-A	CABLE ASSY (SVP-2)
15	PS-F14 (PS PL)	P30 (HUB BOX)	3263117-A	CABLE ASSY (HUB BOX)
16	1F-A1 (CSW-1A)	CSW-1 (HUB BOX)	3263128-A	CABLE ASSY (LAN)
17	2F-M1 (CSW-2M)	CSW-2 (HUB BOX)	3263128-B	CABLE ASSY (LAN)
18	P104-1 (AC Box-0)	PS BOX-1 (SVPPS BOX)	3263424-A	CABLE ASSY (SVP PS-BOX)
19	P104-2 (AC Box-1)	PS BOX-2 (SVPPS BOX)	3263424-B	CABLE ASSY (SVP PS-BOX)
20	P41 (SVPPS BOX)	PS-BU (SSVP)	3263403-A	CABLE ASSY (SSVP SVP-PS)
21	BATJP (BATCTR)	—	3261831-A	JUMPER (BATTERY)
22	0-P201 (HDD PS PL)	0-P401 (HDD FAN-0)	3263125-A	CABLE ASSY (FAN)
		1-P402 (HDD FAN-1)		
23	1-P201 (HDD PS PL)	0-P402 (HDD FAN-0)	3263125-B	CABLE ASSY (FAN)
		1-P401 (HDD FAN-1)		
24	2-P201 (HDD PS PL)	2-P401 (HDD FAN-2)	3263125-C	CABLE ASSY (FAN)
		3-P402 (HDD FAN-3)		
25	3-P201 (HDD PS PL)	2-P402 (HDD FAN-2)	3263125-D	CABLE ASSY (FAN)
		3-P401 (HDD FAN-3)		

(To be continued.)

(Continued from preceding sheet.)

No.	Connector No.		Part No.	Part Name
	Source	Destination		
26	P204 (HDD PS PL)	P204 (HDD PS PL)	3261995-A	CABLE ASSY (MN/PSPL)
			5516101-7	
27	J204 (HDD PS PL)	P203 (HDD PS PL)	3261994-A	CABLE ASSY (PSPL)
			5516101-6	
28	P202 (HDD PS PL)	P301 (HDD PL)	3261993-A	CABLE ASSY (MN/HDDPL)
			5516101-5	
29	1F-B11,B12 (DKA)	0-A1, A3 (FSW)	5513940-A	DEV I/F Cable0
30	1F-B21,B22 (DKA)	1-A1, A3 (FSW)	5513940-B	DEV I/F Cable0
31	1F-B31,B32 (DKA)	2-A1, A3 (FSW)	5513940-C	DEV I/F Cable0
32	1F-B41,B42 (DKA)	3-A1, A3 (FSW)	5513940-D	DEV I/F Cable0
33	2F-L11,L12 (DKA)	0-B1, B3 (FSW)	5513940-E	DEV I/F Cable0
34	2F-L21,L22 (DKA)	1-B1, B3 (FSW)	5513940-F	DEV I/F Cable0
35	2F-L31,L32 (DKA)	2-B1, B3 (FSW)	5513940-G	DEV I/F Cable0
36	2F-L41,L42 (DKA)	3-B1, B3 (FSW)	5513940-H	DEV I/F Cable0
37	1F-F11,F12 (DKA)	0-C1, C3 (FSW)	5513941-A	DEV I/F Cable0
38	1F-F21,F22 (DKA)	1-C1, C3 (FSW)	5513941-B	DEV I/F Cable0
39	1F-F31,F32 (DKA)	2-C1, C3 (FSW)	5513941-C	DEV I/F Cable0
40	1F-F41,F42 (DKA)	3-C1, C3 (FSW)	5513941-D	DEV I/F Cable0
41	2F-K11,K12 (DKA)	0-D1, D3 (FSW)	5513941-E	DEV I/F Cable0
42	2F-K21,K22 (DKA)	1-D1, D3 (FSW)	5513941-F	DEV I/F Cable0
43	2F-K31,K32 (DKA)	2-D1, D3 (FSW)	5513941-G	DEV I/F Cable0
44	2F-K41,K42 (DKA)	3-D1, D3 (FSW)	5513941-H	DEV I/F Cable0
45	P103-1 (AC Box-0)	5/3VPS1A (5/3VPS1A)	3263129-A	CABLE ASSY (INLET 1)
		SUBPS1 (SUBPS1)		
		5/3VPS2B (5/3VPS2B)		
		3VPS1A (3VPS1A)		
		3VPS2B (3VPS2B)		
46	P103-2 (AC Box-1)	5/3VPS1B (5/3VPS1B)	3263129-B	CABLE ASSY (INLET 1)
		SUBPS2 (SUBPS2)		
		5/3VPS2A (5/3VPS2A)		
		3VPS1B (3VPS1B)		
		3VPS2A (3VPS2A)		
47	P101-1 (AC Box-0)	MPS00 (MPS00)	3263130-A	CABLE ASSY (INLET 2)
		MPS10 (MPS10)		
48	P102-1 (AC Box-0)	MPS20 (MPS20)	3263130-B	CABLE ASSY (INLET 2)
		MPS30 (MPS30)		
49	P101-2 (AC Box-1)	MPS01 (MPS01)	3263130-C	CABLE ASSY (INLET 2)
		MPS11 (MPS11)		
50	P102-2 (AC Box-1)	MPS21 (MPS21)	3263130-D	CABLE ASSY (INLET 2)
		MPS31 (MPS31)		
51	EXP-1 (HUB BOX)	REXP-1 (RS CON)	3263128-C	CABLE ASSY (LAN)
52	— (LG-P/I)		3261830-A	MAINTENANCE JUMPER (MINI PV)
53	3/12VPS1A-N (3/12VPS1A)	1F-NAS-1 (NAS CHA)	3265821-A	CABLE ASSY (DYNAMIC)
	3/12VPS1B-N (3/12VPS1B)	1F-NAS-2 (NAS CHA)		
54	3/12VPS2A-N (3/12VPS2A)	2F-NAS-1 (NAS CHA)	3265821-B	CABLE ASSY (DYNAMIC)
	3/12VPS2B-N (3/12VPS2B)	2F-NAS-2 (NAS CHA)		

5 SPARE PARTS LIST

The following table shows the Spare parts of DKC465I.

No.	Part Name		Part Number	Corresponding List and Index Number
1	Serial 4-port CHA ASSY	WP462-A×1 & SH281-C×4	5513983-A	10-1
2	MF Fibre 4-port CHA ASSY (Short wave 1-2 G bps)	WP465-A×1 & SH281-D×4	5513984-A	10-2
3	MF Fibre 4-port CHA ASSY (Long wave 1-2 G bps)	WP465-B×1 & SH281-D×4	5513984-B	10-3
4	Fibre 4-port CHA ASSY (Short wave 1 G bps)	WP461-D×1 & SH281-A×2 *1	5513980-B	10-4
5	Fibre 2-port CHA ASSY (Short wave 1-2 G bps)	WP461-E×1 & SH281-A×2 *1	5513981-C	10-5
6	Fibre 4-port CHA ASSY (Short wave 1-2 G bps)	WP461-B×1 & SH281-A×4 *1	5513981-A	10-6
7	Fibre 4-port CHA ASSY (Long wave 1-2 G bps)	WP461-C×1 & SH281-A×4 *1	5513981-B	10-7
8	DKA ASSY	WP471-A×1 & SH281-B×2	5513979-A	10-8
9	High performance DKA ASSY	WP471-B×1 & SH281-B×4	5513979-B	10-9
10	CACHE	WP490-A P/K ASSY	5513976-A	10-10
11	CSW-C	WP481-C P/K ASSY	5513975-C	10-11
12	PS-P/L	LR012-A B/P ASSY	5513993-A	—
13	LOGIC PL-S	LR010-A B/P ASSY	5513992-A	—
14	CM-DIMM (Cache Memory Module)	SH288-B P/K ASSY	5513977-B	10-12
15	SM-DIMM (Shared Memory Module)	SH287-B P/K ASSY	5513978-B	10-13
16	AC BOX	3 Phase/30A	5513938-A	3-9
17	AC BOX	Single Phase/50A	5513939-A	3-10
18	AC BOX	Single Phase/30A	5518053-A	3-24
19	3V PS *4, *6	PPD03130 HS0429	5513969-A	2-14
20	3V/5V PS (LG MPS)	PPD5002-1 HS0482	5513970-A	2-12
21	5V/12V PS (SUB MPS)	PPD7502 HS0591	5513971-A	2-13
22	THERMOSTAT ASSY (ALM (TH-L) ASSY)		5513989-A	2-10
23	BATTERY ASSY	Note1	5513990-A	2-11
24	DKC FAN ASSY (A)	*4, *7	5509121-A	2-5
25	DKC FAN ASSY (B)	*4, *7	5509121-B	2-6

(To be continued.)

Note1: Refer to the Battery Management (See to [PARTS05-40](#)).

(Continued from preceding sheet.)

No.	Part Name		Part Number	Corresponding List and Index Number
26	EPO ASSY		5509122-A	4-5
27	SVP ASSY	FLORA270HX	5513995-A	2-2, 2-3
		FLORA270W	5513995-B	
28	SVP ASSY (for XP128)	FLORA270HX	5513995-B	2-2, 2-3
		FLORA270W		
29	SVPPS BOX	SVPPS Box	5513997-A	2-9
30	FLASH CARD	PCCF-H128MS	5513998-A	2-2-1, 2-3-1
		AD-CFG128		
31	LAN&MODEM Card	3CXFEM656C	5524009-A	—
32	HUB BOX	FS708EXL	5513999-A	2-8
33	BATCTR	SH200-A P/K ASSY	5509126-A	10-14
34	SSVP	SH313-A P/K ASSY	5514000-A	10-15
35	SVPPS	SH111-B P/K ASSY	5513987-B	10-18
36	DKCMN	SH307-A P/K ASSY	5513986-A	10-16
37	DKCMN for UPS	SH307-B P/K ASSY	5513986-B	10-17
38	DKC PNL	SH302-A P/K ASSY	5513988-A	4-2
39	DKC PNL for UPS	SH302-C P/K ASSY	5513988-C	4-3
40	PCI CON	SH218-A P/K ASSY	5509131-A	2-16
41	RS CON	SH195-B P/K ASSY	5509132-B	2-7
42	UPS CON	SH298-A P/K ASSY	5513547-A	2-17
43	DKC-FAN BOARD	SH308-A P/K ASSY	5513994-A	—
44	5V/12V PS (HDD PS)	PPD13502	5513853-A	3-17
		HS1182		
45	FSW-A	SH303-A P/K ASSY	5513854-A	3-12
46	FSW-B	SH303-B P/K ASSY	5513854-B	3-13
47	FSW-C	SH303-C P/K ASSY	5513854-C	3-14
48	HDD B/P	LR011-A B/P ASSY	5513856-A	5-2
49	HDD PS B/P	LR015-A B/P ASSY	5513857-A	5-3
50	HDD FAN ASSY		5513991-A	3-2
51	JMP	SH304-A P/K ASSY	5513855-A	3-15
52	HDU450-36K1FC	DKS2B-K36FC	5515544-A	3-4
		DKS2C-K36FC		
53	HDU450-72J1FC	DKR2D-J72FC	5513873-A	3-5
		DKR2E-J72FC		
54	HDU450-72K1FC	DKS2C-K72FC	5518492-A	3-7
55	HDU450-146J1FC	DKR2E-J146FC	5518491-A	3-6
56	HDU450-146JSFC	DKS2C-J146FC	5522731-A	3-25
57	HDU450-146JMFC	DKR2E-J146FC	5522976-A	3-26
		DKS2C-J146FC		
58	Additional SVP Memory		5518055-A	—
59	DEV I/F Cable0	1F-B11/12, 0-A1/A3	5513940-A	11-28
60	DEV I/F Cable0	1F-B21/22, 1-A1/A3	5513940-B	11-29
61	DEV I/F Cable0	1F-B31/32, 2-A1/A3	5513940-C	11-30

(To be continued.)

(Continued from preceding sheet.)

No.	Part Name		Part Number	Corresponding List and Index Number
62	DEV I/F Cable0	1F-B41/42, 3-A1/A3	5513940-D	11-31
63	DEV I/F Cable0	2F-L11/12, 0-B1/B3	5513940-E	11-32
64	DEV I/F Cable0	2F-L21/22, 1-B1/B3	5513940-F	11-33
65	DEV I/F Cable0	2F-L31/32, 2-B1/B3	5513940-G	11-34
66	DEV I/F Cable0	2F-L41/42, 3-B1/B3	5513940-H	11-35
67	DEV I/F Cable0	1F-F11/12, 0-C1/C3	5513941-A	11-36
68	DEV I/F Cable0	1F-F21/22, 1-C1/C3	5513941-B	11-37
69	DEV I/F Cable0	1F-F31/32, 2-C1/C3	5513941-C	11-38
70	DEV I/F Cable0	1F-F41/42, 3-C1/C3	5513941-D	11-39
71	DEV I/F Cable0	2F-K11/12, 0-D1/D3	5513941-E	11-40
72	DEV I/F Cable0	2F-K21/22, 1-D1/D3	5513941-F	11-41
73	DEV I/F Cable0	2F-K31/32, 2-D1/D3	5513941-G	11-42
74	DEV I/F Cable0	2F-K41/42, 3-D1/D3	5513941-H	11-43
75	Fibre 4-port CHA ASSY (Short wave 1Gbps)	WP461-H ×1 & SH281-A ×2 *2	5518079-C	10-19
76	Fibre 2-port CHA ASSY (Short wave 1-2Gbps)	WP461-J ×1 & SH281-A ×2 *2	5518079-D	10-20
77	Fibre 4-port CHA ASSY (Short wave 1-2Gbps)	WP461-F ×1 & SH281-A ×4 *2	5518079-A	10-21
78	Fibre 4-port CHA ASSY (Long wave 1-2Gbps)	WP461-G ×1 & SH281-A ×4 *2	5518079-B	10-22
79	Fibre 8-port CHA ASSY (Short wave 1-2Gbps)	WP463-B ×1 & SH281-D ×4 *3	5518079-E	10-23
80	3/12VPS *5, *6	HS0669 PPD7002	5519715-A	2-14
81	DKC FAN(NAS) ASSY(A)	*5, *7	5519716-A	2-5
82	DKC FAN(NAS) ASSY(B)	*5, *7	5519716-B	2-6
83	NAS 2-port CHA ASSY (Short wave 1.25Gbps)	WP467-A ×1 & SH281-D ×2	5519714-A	10-24
84	Serial 4-port CHA ASSY	WP468-A ×1 & SH281-C ×4	5513983-B	10-25
85	iSCSI 4-port CHA ASSY	WP466-A ×1 & SH281-D ×4	5522913-A	10-26
86	CM DIMM (Cache Memory Module)	SH288-C P/K ASSY	5513977-C	10-27
87	SM DIMM (Shared Memory Module)	SH287-C P/K ASSY	5513978-C	10-28

- *1: PCB not supporting DB Validator
- *2: PCB supporting DB Validator (for subsystems with DKCMAIN Ver. 21-02-2X and the later)
- *3: PCB supporting DB Validator (for subsystems with DKCMAIN Ver. 21-03-0X and the later)
- *4: NAS not support model.
- *5: NAS support model.
- *6: It is not a problem to use a 3/12VPS as a replacement part of a 3VPS because the former is compatible with the latter. However, you cannot use a 3VPS as a replacement part of a 3/12VPS.
- *7: It is not a problem to use a DKC FAN (NAS) ASSY as a replacement part of a DKC FAN ASSY because the former is compatible with the latter. However, you cannot use a DKC FAN ASSY as a replacement part of a DKC FAN (NAS) ASSY.

For notes on replacement between the PCBs supporting and not supporting DB Validator, see Notes 1 to 3 on page [REP03-110](#).

NOTE.1 Battery Management

1. Batteries installed into an operating DKC, warehoused DKC or a combination

The batteries that are installed into a DKC that is in operation must be discarded when the DKC is de-installed and the batteries installed have greater than 4 months of operation. If the DKC is not de-installed but is in operation then the batteries must be replaced every 2.5 years per the Periodic Maintenance procedures. An exception would be one short install time of less than 4 months. Batteries need not be replaced if the combined short install and warehousing times when added together do not exceed 12 months. This is also provided the batteries are maintained per Battery Storage Mandatory Guidelines in below. Otherwise the batteries must be discarded.

2. Battery shelf life when used for spare parts

Batteries shipped from the factory for Spares inventory use have the date of the shipment indicated on the packing box. The shelf life of these batteries is one years duration from this stamped date. Batteries may be used as a spare replacement part anytime up to this 1 year period if maintained per Battery Storage Mandatory Guidelines in below.

3. Battery Storage Mandatory Guidelines for Temperature and Periodic Charging

All batteries in warehouse storage (either as spare parts or installed in a DKC) must receive a 48 hour charge every 6 months provided they are kept at a temperature below 25 Celsius. When the storage environment exceeds 25 Celsius but not 32 Celsius, the charge rate is increased to 48 hour charge every 3 months. When the storage environment exceeds 32 Celsius the batteries must be discarded. Battery charging can be accomplished in a DKC set up for charging purposes, or using a Battery Charger.

6 TOOL LIST

The following table shows the maintenance tools:

TOOL NAME	SPECIFICATION	REMARKS
Monkey wrench	100 mm	Used for installation, maintenance, trouble-shooting, and parts change.
Monkey wrench	300 mm	
Hexagon wrench key set	1.27, 1.4, 1.58, 2.0, 2.5, 3.0, 4.0, 5.0, 6.0, 8.0 mm	
Box driver set	4.0, 5.5, 6.0, 7.0, 8.0, 10.0 mm	
Stubby driver set (PHILIPS TYPE)	No. 2 x 38	
Stubby driver set (PHILIPS TYPE)		
Screw driver set (STRAIGHT TYPE)		
Insulated cutting pliers	175 mm	
Insulated radio pliers	150 mm	
Insulated cutting nipper	150 mm	
Pincette	125 mm	
Soldering iron	25 W	Used for field change.
Soldering iron	100 W	
Wrapping tool		
Oscilloscope	200 MHz	Used for inspection.
Digital voltmeter	AC, DC, OHM	

The following table shows the special tools:

Tool Name	Parts No.	Remarks
Fiber wraparound connector	5430106-1	For diagnostics for serial channel Interface
Torques driver	5480359-1	For replacement of SVP
DIMM puller	5480389-A	For removing memory module (SM/CM)
Power supply check cable	3257488-A	For check of DC voltage
Screw driver with insulated blade	5480302-1	For removing screw
Dust cover	5500729-1	For reduce the dust sticking to memory module socket
Air Spray(with Nozzle)	— *1	For Fibre connector cleaning
Ethyl Alcohol	— *1	For Fibre connector cleaning
Cut Gauze	— *1	For Fibre connector cleaning * The gauze material must be soft and strong for waste thread.
Dummy Canister	5515785-A	This must be inserted for all empty HDD slots to generate stable airflow inside the DKU frame for efficient cooling.

*1 : RSD does not supply the above described Special Tools marked with '*1'.
Please try to purchase them locally.